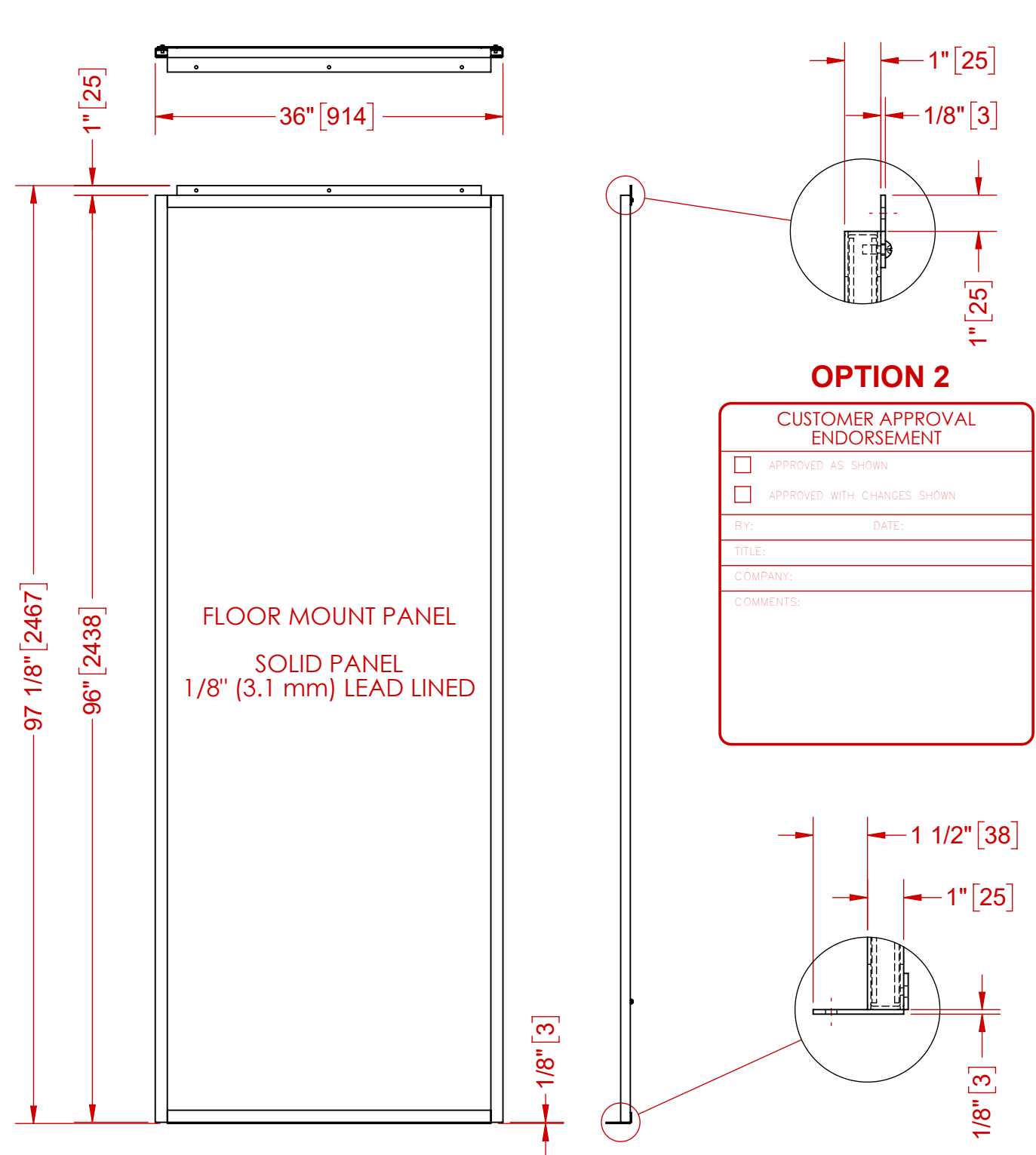
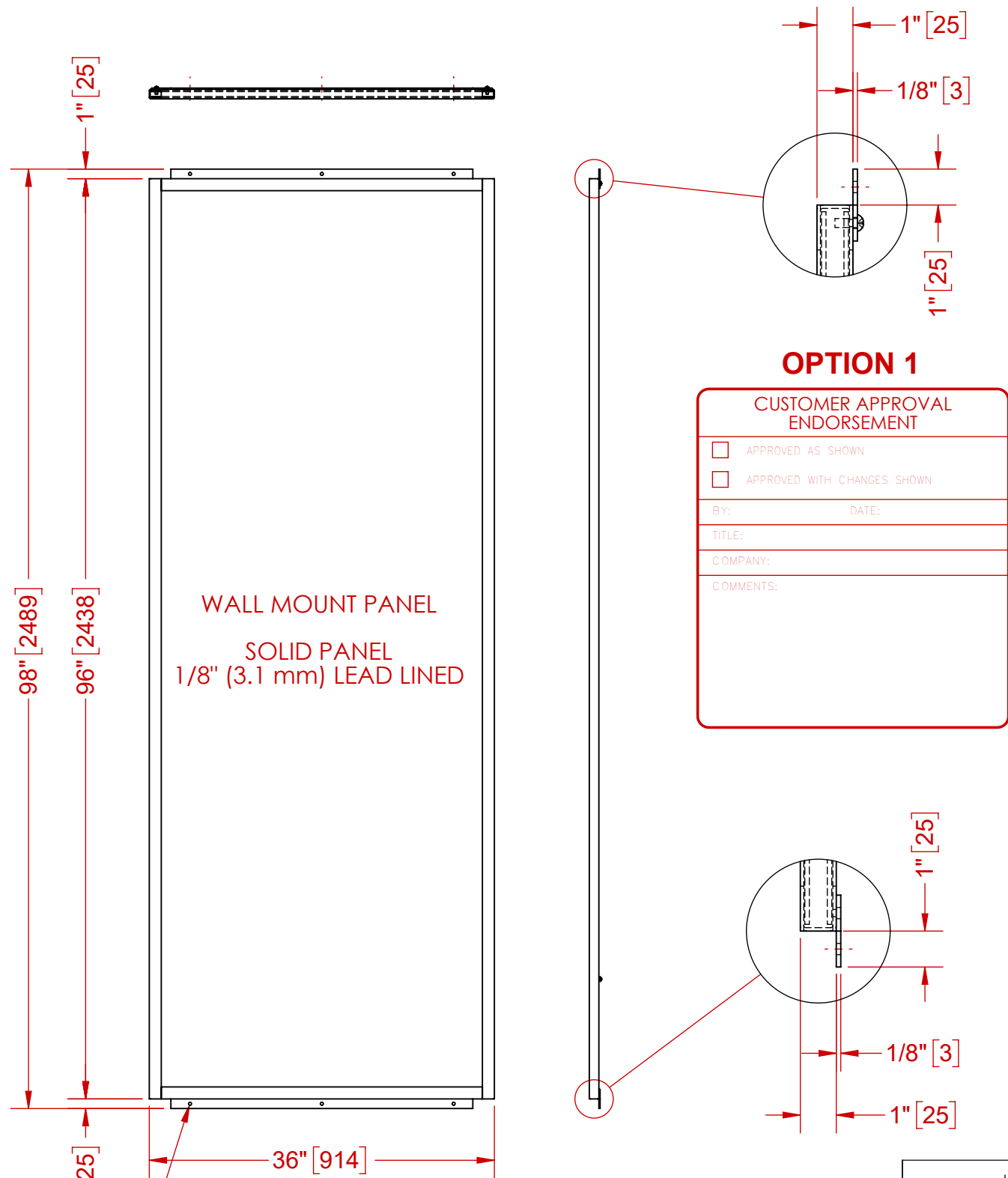


# OPTION 1 - WALL MOUNT

# OPTION 2 - FLOOR MOUNT



**OPTION 1**

CUSTOMER APPROVAL ENDORSEMENT

APPROVED AS SHOWN

APPROVED WITH CHANGES SHOWN

BY: \_\_\_\_\_ DATE: \_\_\_\_\_

TITLE: \_\_\_\_\_

COMPANY: \_\_\_\_\_

COMMENTS: \_\_\_\_\_

**OPTION 2**

CUSTOMER APPROVAL ENDORSEMENT

APPROVED AS SHOWN

APPROVED WITH CHANGES SHOWN

BY: \_\_\_\_\_ DATE: \_\_\_\_\_

TITLE: \_\_\_\_\_

COMPANY: \_\_\_\_\_

COMMENTS: \_\_\_\_\_

**MOUNTING HOLES SHOWN FOR REFERENCE ONLY. TO BE FIELD DRILLED TYP. TOP & BOTTOM ALL PANELS, TYP. BOTH OPTIONS**

**NOTES:**

- 1) ALL UNITS ARE INCHES (mm) UNLESS OTHERWISE SPECIFIED
- 2) CUSTOMER TO APPROVE EITHER OPTION 1 OR OPTION 2

UNLESS OTHERWISE SPECIFIED		SolidWorks MAINTAINED DATA CHANGES SHALL BE INCORPORATED ELECTRONICALLY BY THE DESIGN ACTIVITY		<b>Custom Radiation Protection, Shielding and Storage</b>	
DO NOT SCALE DRAWING DIMENSIONS SHOWN IN PARENTHESIS ARE FOR REFERENCE ONLY (X.XX) DIMENSIONS ARE IN INCHES (mm) TOLERANCES APPLY AS SHOWN BELOW .X = ± 0.030 .XX = ± 0.010 .XXX = ± 0.005 FRACTIONS = ± 1/16 ANGLES = ± 0.5°	ALL MACHINED SURFACES TO BE 125 ALL WELD SPECIFICATIONS PER WELD SHOP	MODEL NUMBER:	TITLE	<b>EZ PANEL</b>	
PROPRIETARY NO PART OF THIS DOCUMENT MAY BE REPRODUCED, STORED IN A RETRIEVAL SYSTEM, OR TRANSMITTED IN ANY FORM, WITHOUT THE WRITTEN PERMISSION OF MarShield - Mars Metal Company DIVISION OF Marswell Metal Industries Ltd.		DRAWN BY M.S.D. DATE 8/21/2018	CUSTOMER/DEALER		
		CHECKED BY	SIZE <b>B</b>	DRAWING NO <b>MSEZ3696-3.1</b>	REVISION <b>A</b>
		APPROVED	SCALE 1:15	WEIGHT	SHEET 1 OF 1