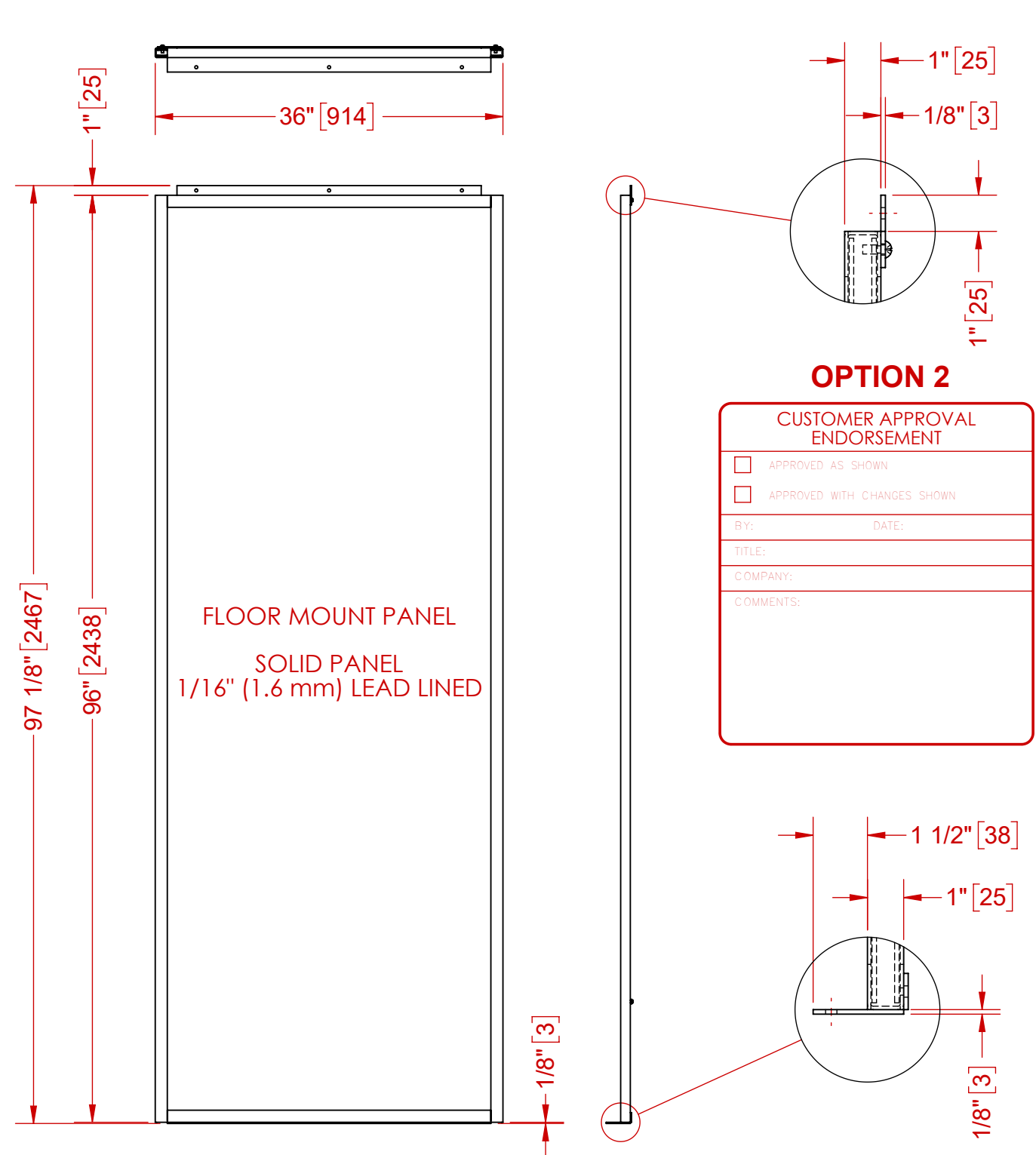
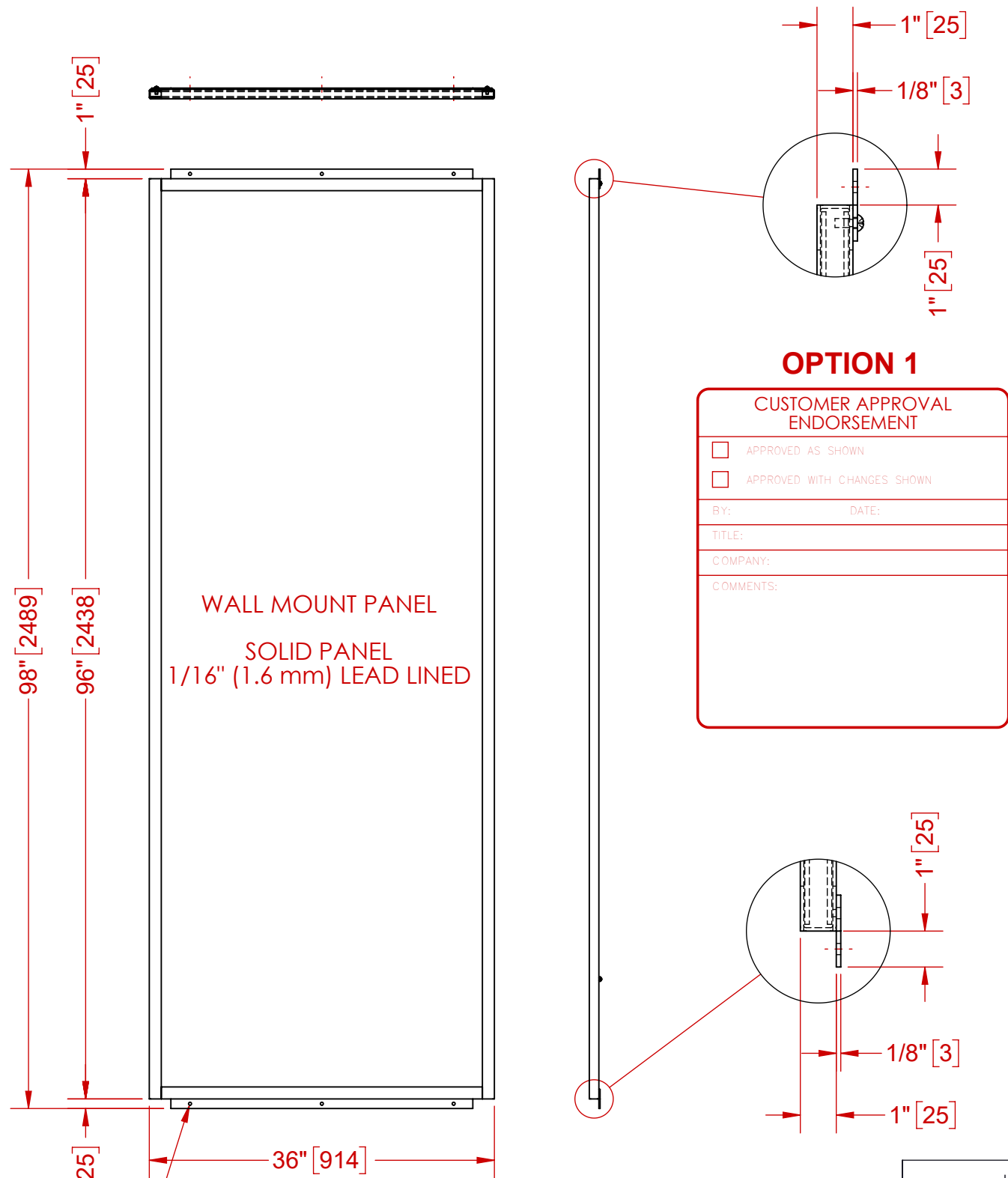


# OPTION 1 - WALL MOUNT

# OPTION 2 - FLOOR MOUNT



**MOUNTING HOLES SHOWN FOR REFERENCE ONLY.  
 TO BE FIELD DRILLED  
 TYP. TOP & BOTTOM ALL PANELS, TYP. BOTH OPTIONS**

**NOTES:**

- 1) ALL UNITS ARE INCHES (mm) UNLESS OTHERWISE SPECIFIED
- 2) CUSTOMER TO APPROVE EITHER OPTION 1 OR OPTION 2

UNLESS OTHERWISE SPECIFIED		SolidWorks MAINTAINED DATA CHANGES SHALL BE INCORPORATED ELECTRONICALLY BY THE DESIGN ACTIVITY		<b>Custom Radiation Protection, Shielding and Storage</b>	
DO NOT SCALE DRAWING DIMENSIONS SHOWN IN PARENTHESIS ARE FOR REFERENCE ONLY (X.XX) DIMENSIONS ARE IN INCHES (mm) TOLERANCES APPLY AS SHOWN BELOW .X = ± 0.030 .XX = ± 0.010 .XXX = ± 0.005 FRACTIONS = ± 1/16 ANGLES = ± 0.5°		ALL MACHINED SURFACES TO BE 125 ALL WELD SPECIFICATIONS PER WELD SHOP		<b>EZ PANEL</b> CUSTOMER/DEALER	
PROPRIETARY NO PART OF THIS DOCUMENT MAY BE REPRODUCED, STORED IN A RETRIEVAL SYSTEM, OR TRANSMITTED IN ANY FORM, WITHOUT THE WRITTEN PERMISSION OF MarShield - Mars Metal Company DIVISION OF Marswell Metal Industries Ltd.		DRAWN BY: M.S.D. DATE: 8/21/2018 CHECKED BY: _____ DATE: _____ APPROVED: _____ DATE: _____		SIZE: <b>B</b> DRAWING NO: <b>MSEZ3696-1.6</b> REVISION: <b>A</b> SCALE: 1:15 WEIGHT: SHEET 1 OF 1	