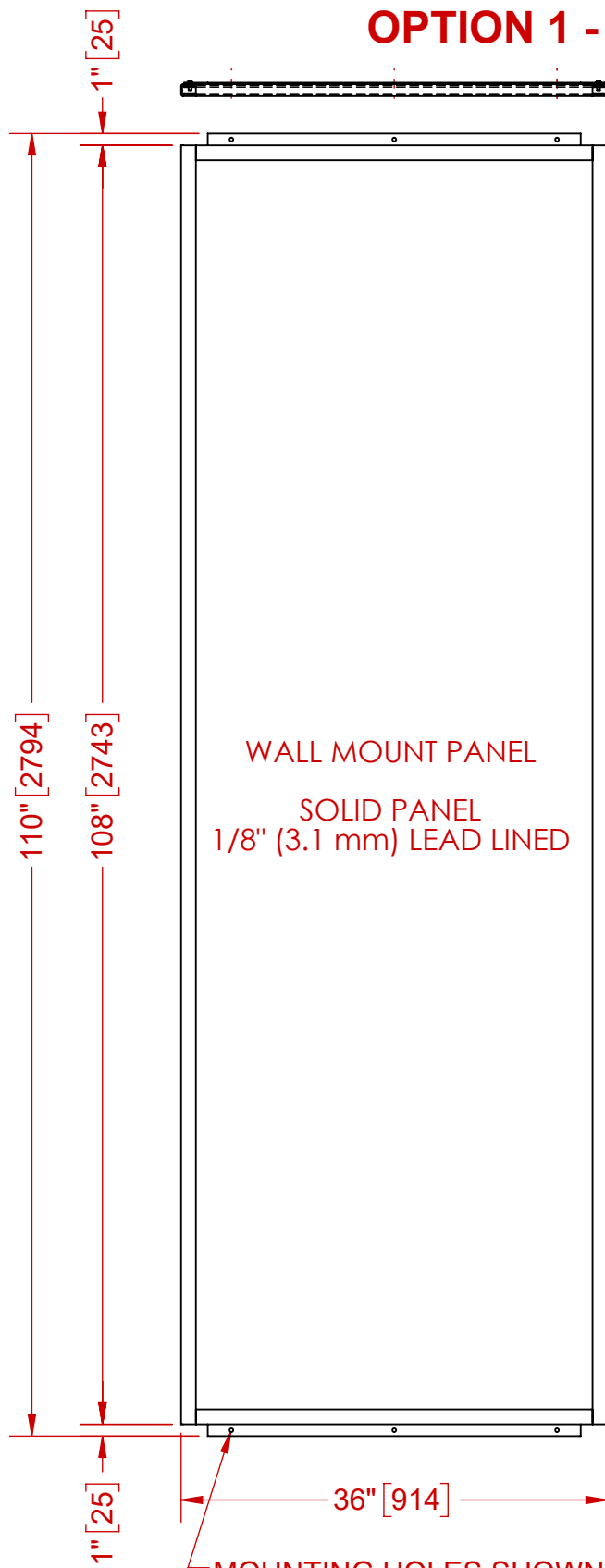


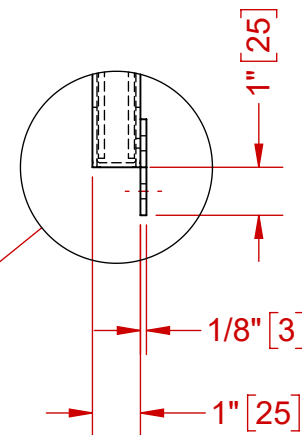
### OPTION 1 - WALL MOUNT



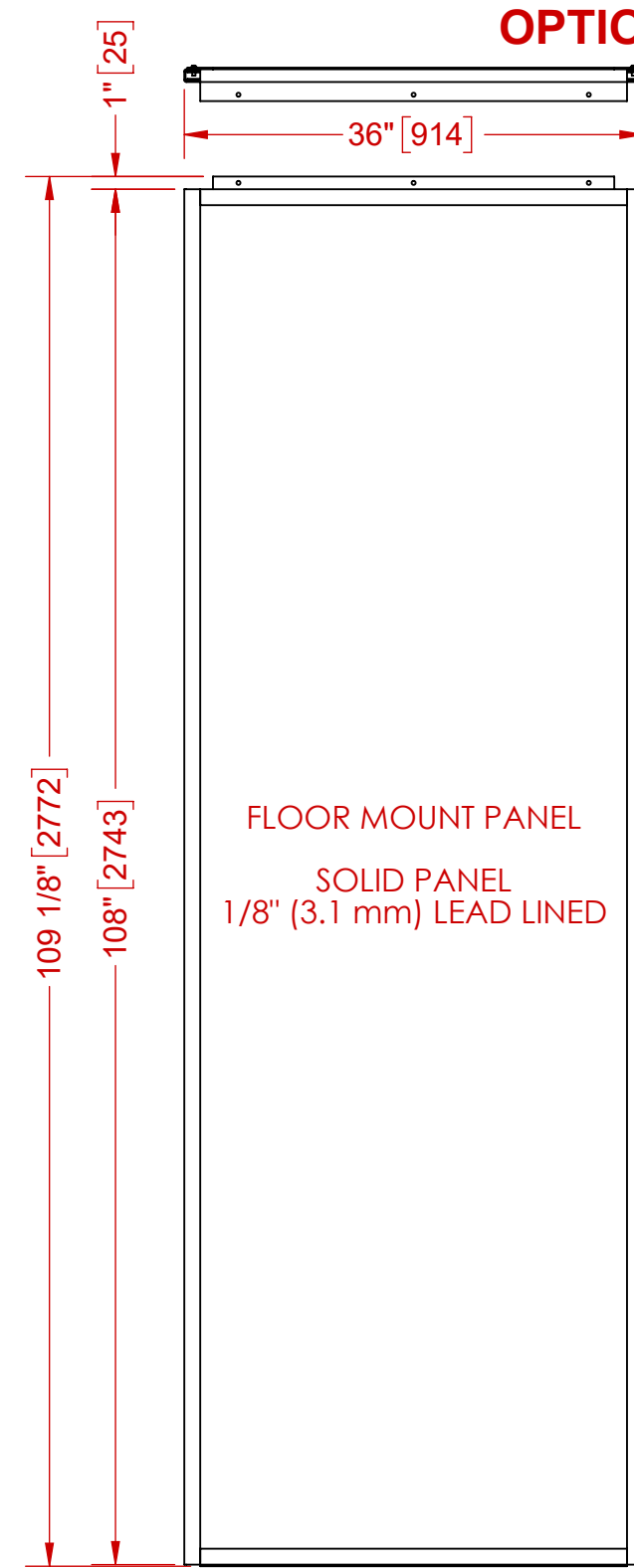
WALL MOUNT PANEL  
SOLID PANEL  
1/8" (3.1 mm) LEAD LINED

#### OPTION 1

CUSTOMER APPROVAL ENDORSEMENT	
<input type="checkbox"/>	APPROVED AS SHOWN
<input type="checkbox"/>	APPROVED WITH CHANGES SHOWN
BY:	DATE:
TITLE:	
COMPANY:	
COMMENTS:	



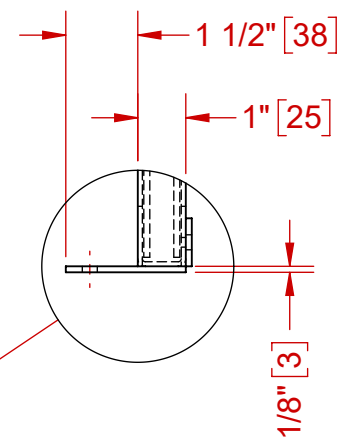
### OPTION 2 - FLOOR MOUNT



FLOOR MOUNT PANEL  
SOLID PANEL  
1/8" (3.1 mm) LEAD LINED

#### OPTION 2

CUSTOMER APPROVAL ENDORSEMENT	
<input type="checkbox"/>	APPROVED AS SHOWN
<input type="checkbox"/>	APPROVED WITH CHANGES SHOWN
BY:	DATE:
TITLE:	
COMPANY:	
COMMENTS:	



**MOUNTING HOLES SHOWN FOR REFERENCE ONLY.  
TO BE FIELD DRILLED  
TYP. TOP & BOTTOM ALL PANELS, TYP. BOTH OPTIONS**

#### NOTES:

- 1) ALL UNITS ARE INCHES (mm) UNLESS OTHERWISE SPECIFIED
- 2) CUSTOMER TO APPROVE EITHER OPTION 1 OR OPTION 2

UNLESS OTHERWISE SPECIFIED		SolidWorks MAINTAINED DATA CHANGES SHALL BE INCORPORATED ELECTRONICALLY BY THE DESIGN ACTIVITY		<b>MarShield</b> Custom Radiation Protection, Shielding and Storage	
DO NOT SCALE DRAWING DIMENSIONS SHOWN IN PARENTHESIS ARE FOR REFERENCE ONLY (X.XX) DIMENSIONS ARE IN INCHES [mm] TOLERANCES APPLY AS SHOWN BELOW .X = ± 0.030 .XX = ± 0.010 .XXX = ± 0.005 FRACTIONS = ± 1/16 ANGLES = ± 0.5°	ALL MACHINED SURFACES TO BE 125 ALL WELD SPECIFICATIONS PER WELD SHOP	MODEL NUMBER:	TITLE <b>EZ PANEL</b>	CUSTOMER/DEALER	REVISION <b>A</b>
PROPRIETARY NO PART OF THIS DOCUMENT MAY BE REPRODUCED, STORED IN A RETRIEVAL SYSTEM, OR TRANSMITTED IN ANY FORM, WITHOUT THE WRITTEN PERMISSION OF MarShield - Mars Metal Company DIVISION OF Marswell Metal Industries Ltd.		DRAWN BY M.S.D.	DATE 8/21/2018	SIZE <b>B</b>	DRAWING NO. <b>MSEZ36108-3.1</b>
		CHECKED BY	DATE	SCALE 1:15	WEIGHT
		APPROVED	DATE	SHEET 1 OF 1	