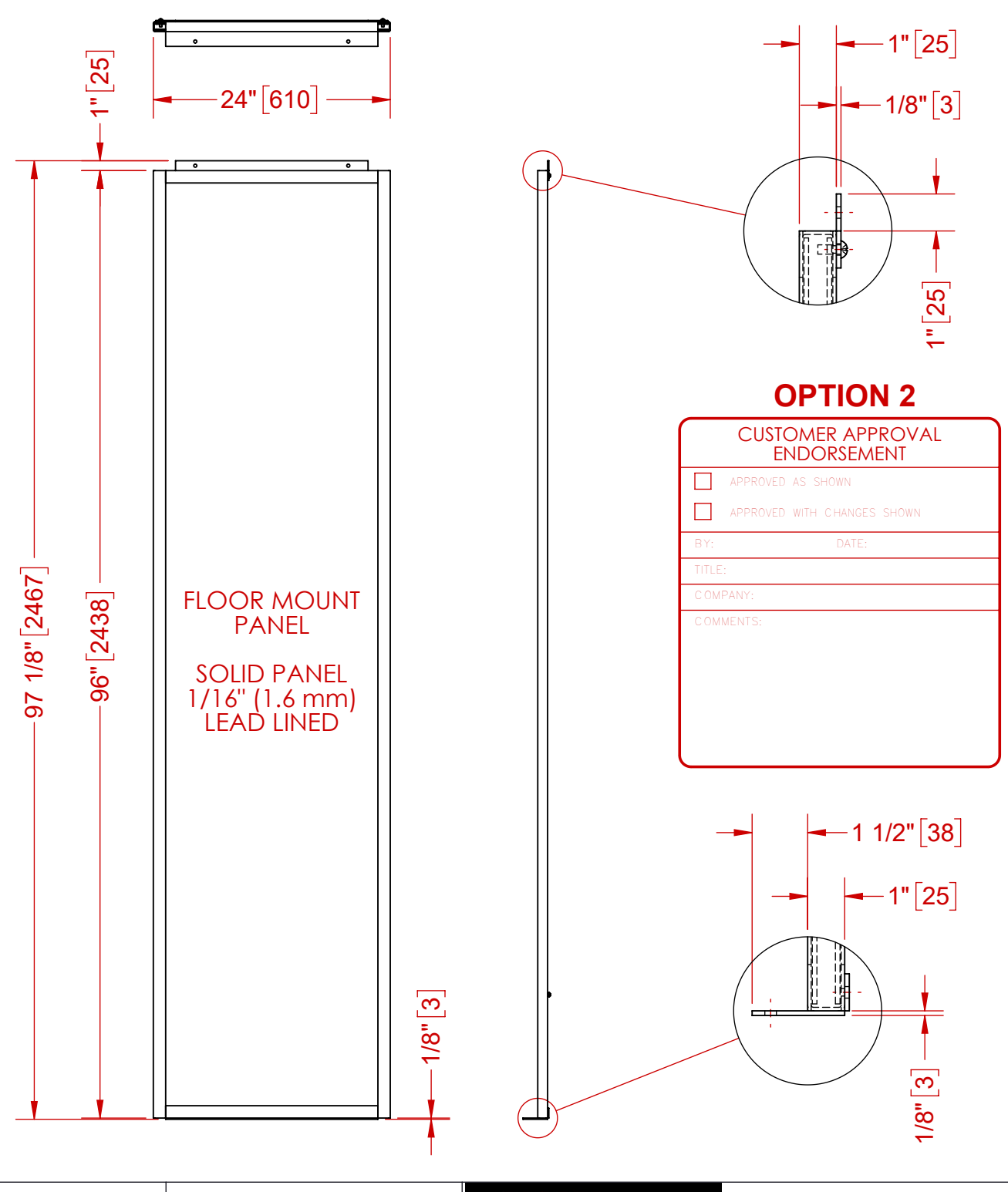
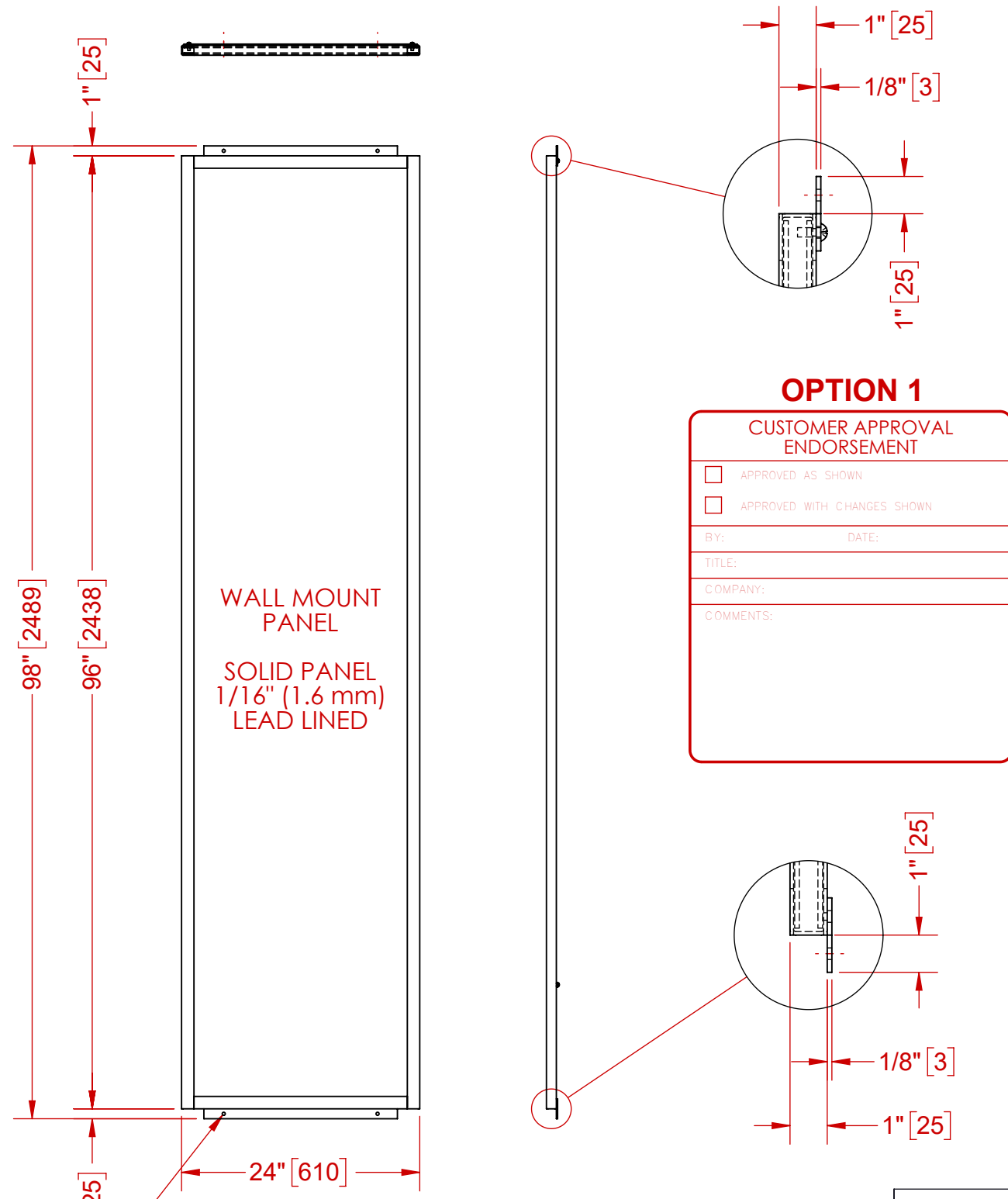


OPTION 1 - WALL MOUNT

OPTION 2 - FLOOR MOUNT



MOUNTING HOLES SHOWN FOR REFERENCE ONLY. TO BE FIELD DRILLED TYP. TOP & BOTTOM ALL PANELS, TYP. BOTH OPTIONS

NOTES:

- 1) ALL UNITS ARE INCHES (mm) UNLESS OTHERWISE SPECIFIED
- 2) CUSTOMER TO APPROVE EITHER OPTION 1 OR OPTION 2

UNLESS OTHERWISE SPECIFIED		SolidWorks MAINTAINED DATA CHANGES SHALL BE INCORPORATED ELECTRONICALLY BY THE DESIGN ACTIVITY		Custom Radiation Protection, Shielding and Storage	
DO NOT SCALE DRAWING DIMENSIONS SHOWN IN PARENTHESIS ARE FOR REFERENCE ONLY (X.XX) DIMENSIONS ARE IN INCHES [mm] TOLERANCES APPLY AS SHOWN BELOW .X = ± 0.030 .XX = ± 0.010 .XXX = ± 0.005 FRACTIONS = ± 1/16 ANGLES = ± 0.5°	ALL MACHINED SURFACES TO BE 125/	ALL WELD SPECIFICATIONS PER WELD SHOP	MODEL NUMBER:	EZ PANEL	
PROPRIETARY NO PART OF THIS DOCUMENT MAY BE REPRODUCED, STORED IN A RETRIEVAL SYSTEM, OR TRANSMITTED IN ANY FORM, WITHOUT THE WRITTEN PERMISSION OF MarShield - Mars Metal Company DIVISION OF Marswell Metal Industries Ltd.			DRAWN BY M.S.D. DATE 8/16/2018 CHECKED BY _____ DATE _____ APPROVED _____ DATE _____	SIZE B DRAWING NO MSEZ2496-1.6 SCALE 1:15 WEIGHT _____	REVISION A SHEET 1 OF 1