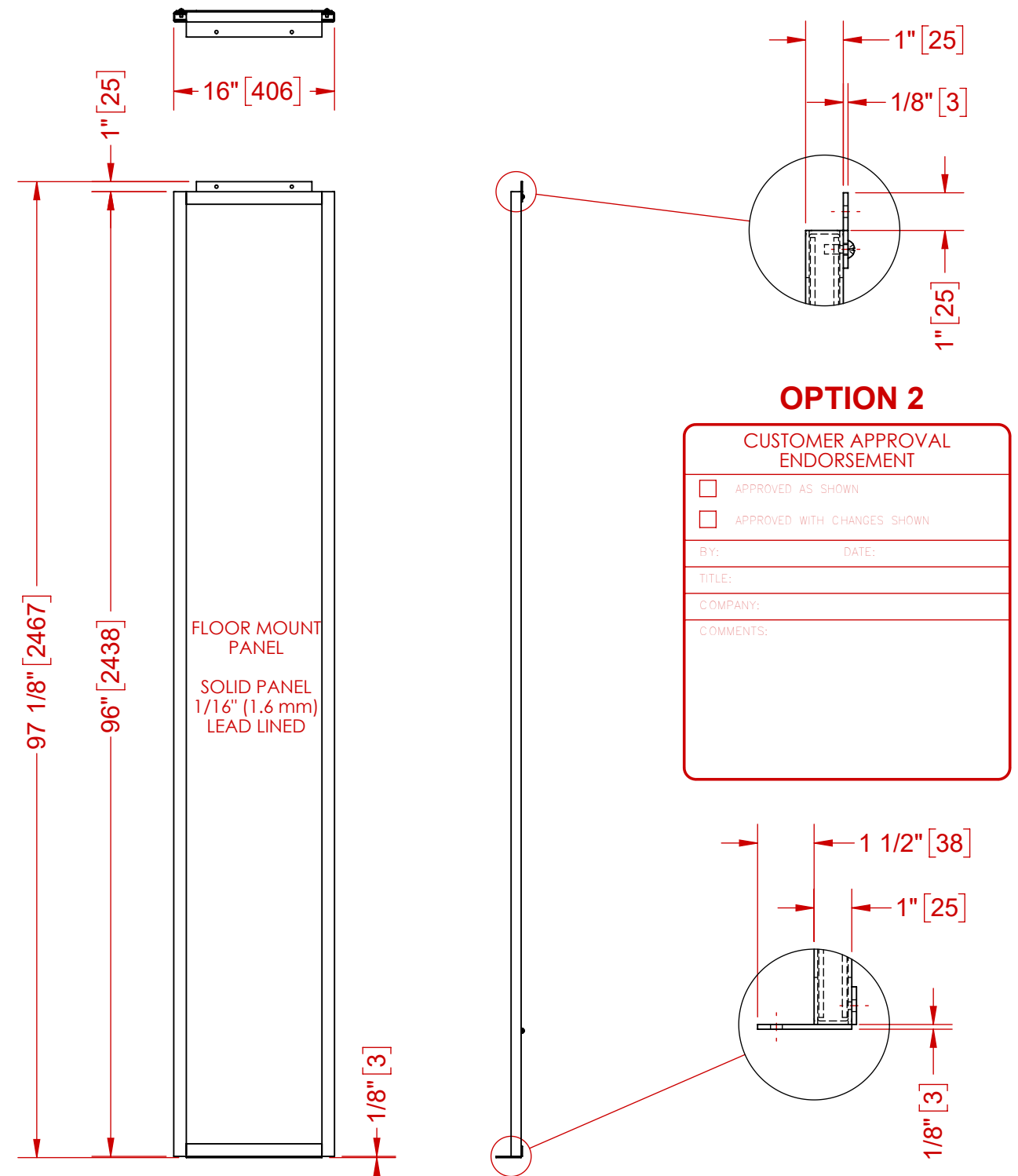
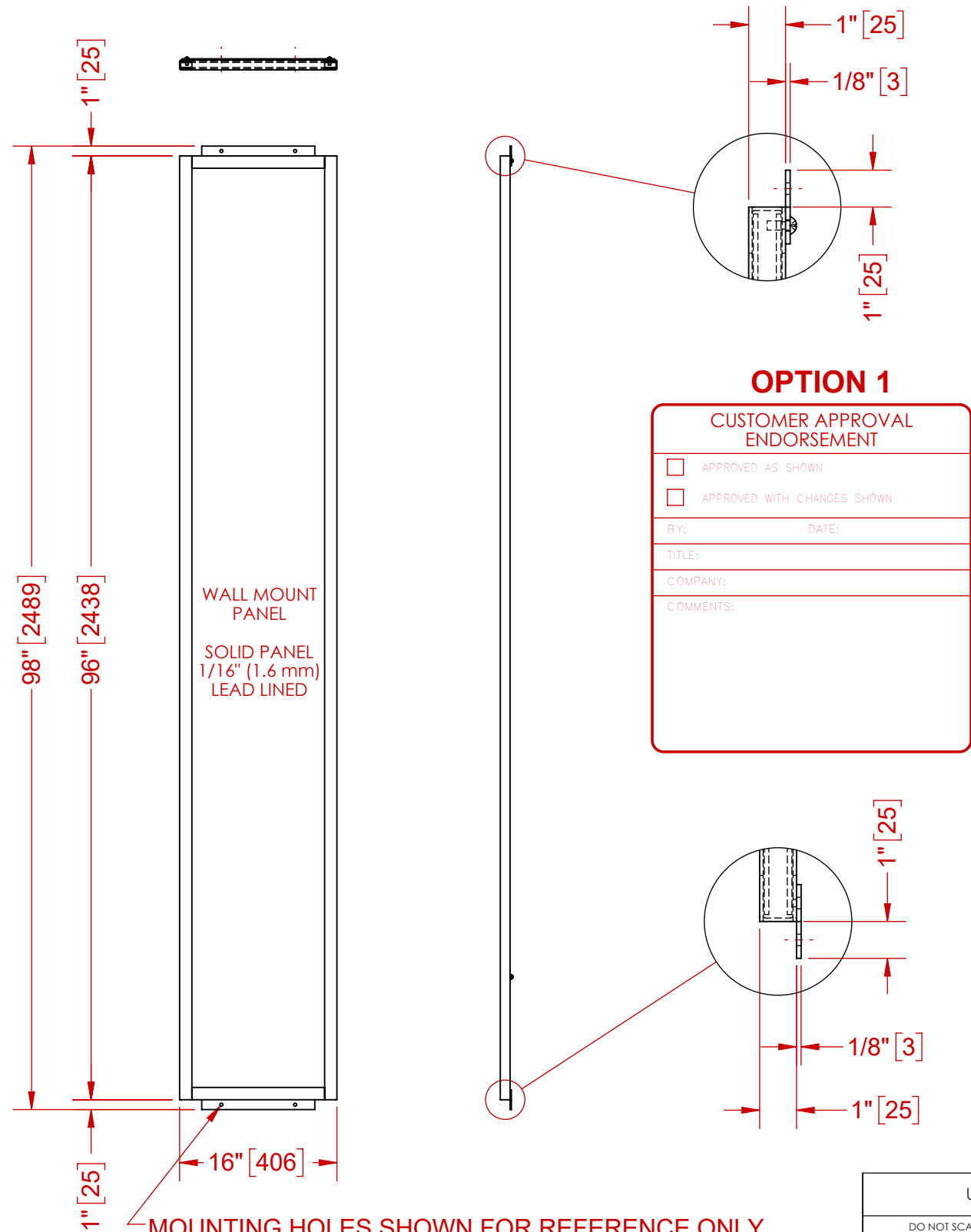


OPTION 1 - WALL MOUNT

OPTION 2 - FLOOR MOUNT



MOUNTING HOLES SHOWN FOR REFERENCE ONLY. TO BE FIELD DRILLED TYP. TOP & BOTTOM ALL PANELS, TYP. BOTH OPTIONS

NOTES:

- 1) ALL UNITS ARE INCHES (mm) UNLESS OTHERWISE SPECIFIED
- 2) CUSTOMER TO APPROVE EITHER OPTION 1 OR OPTION 2

UNLESS OTHERWISE SPECIFIED		<p>SolidWorks MAINTAINED DATA CHANGES SHALL BE INCORPORATED ELECTRONICALLY BY THE DESIGN ACTIVITY</p>		<p>Custom Radiation Protection, Shielding and Storage</p>	
<p>DO NOT SCALE DRAWING DIMENSIONS SHOWN IN PARENTHESIS ARE FOR REFERENCE ONLY (X.XX) DIMENSIONS ARE IN INCHES [mm] TOLERANCES APPLY AS SHOWN BELOW</p> <p>.X = ± 0.030 .XX = ± 0.010 .XXX = ± 0.005</p> <p>FRACTIONS = ± 1/16 ANGLES = ± 0.5°</p>		<p>ALL MACHINED SURFACES TO BE 125</p> <p>ALL WELD SPECIFICATIONS PER WELD SHOP</p>		<p>TITLE: EZ PANEL</p> <p>CUSTOMER/DEALER: _____</p>	
<p>PROPRIETARY NO PART OF THIS DOCUMENT MAY BE REPRODUCED, STORED IN A RETRIEVAL SYSTEM, OR TRANSMITTED IN ANY FORM, WITHOUT THE WRITTEN PERMISSION OF MarShield - Mars Metal Company DIVISION OF Marswell Metal Industries Ltd.</p>		<p>DRAWN BY: M.S.D. DATE: 8/16/2018</p> <p>CHECKED BY: _____ DATE: _____</p> <p>APPROVED: _____ DATE: _____</p>		<p>SIZE: B DRAWING NO: MSEZ1696-1.6 REVISION: A</p> <p>SCALE: 1:15 WEIGHT: _____ SHEET 1 OF 1</p>	