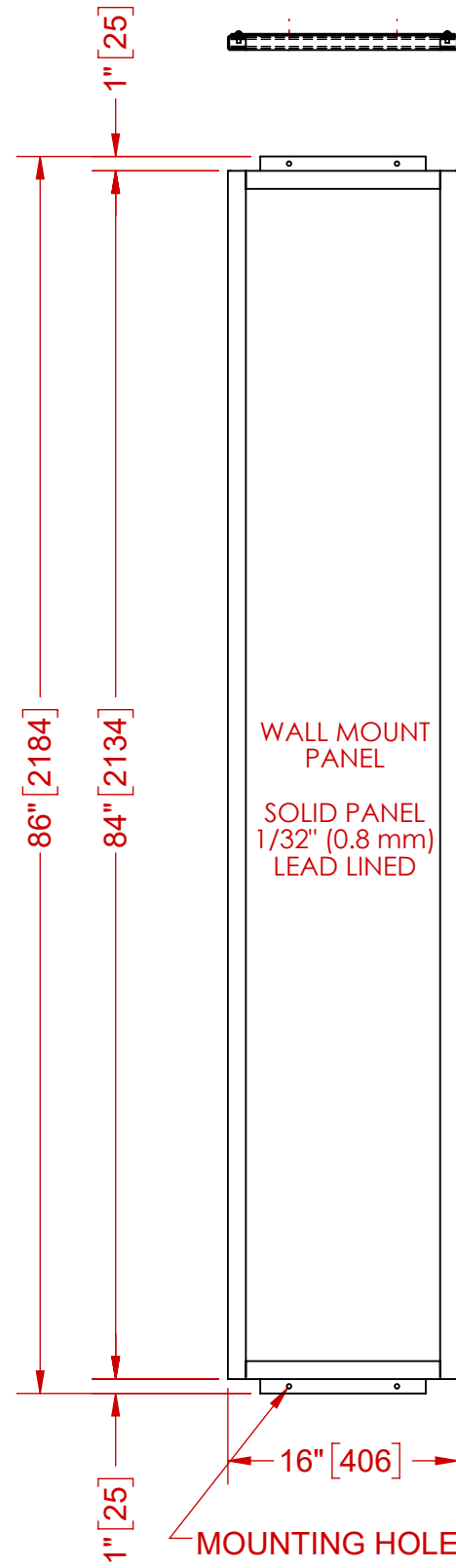
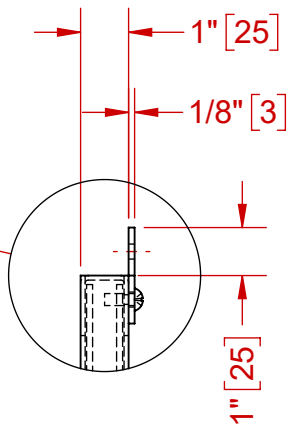


OPTION 1 - WALL MOUNT

OPTION 2 - FLOOR MOUNT

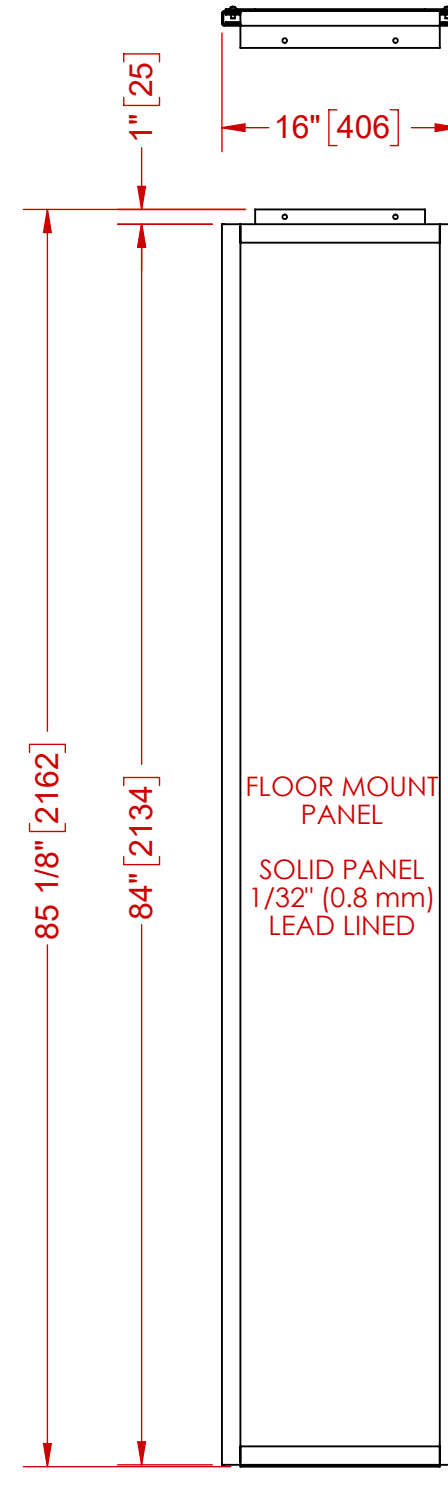
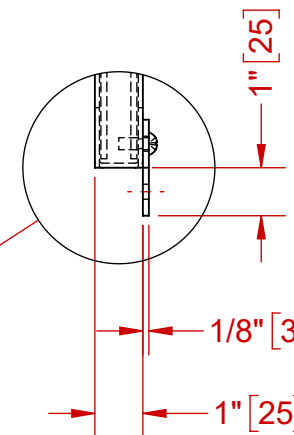


WALL MOUNT PANEL
SOLID PANEL
1/32" (0.8 mm)
LEAD LINED

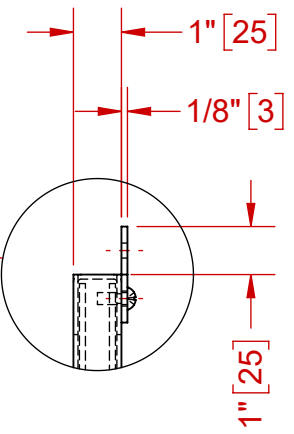


OPTION 1

CUSTOMER APPROVAL ENDORSEMENT	
<input type="checkbox"/>	APPROVED AS SHOWN
<input type="checkbox"/>	APPROVED WITH CHANGES SHOWN
BY:	DATE:
TITLE:	
COMPANY:	
COMMENTS:	

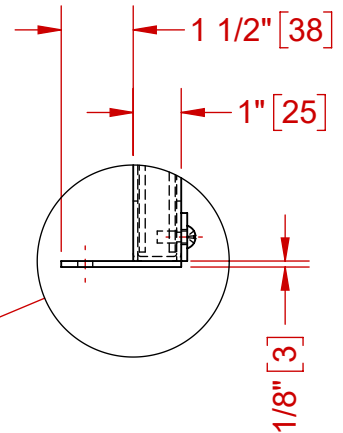


FLOOR MOUNT PANEL
SOLID PANEL
1/32" (0.8 mm)
LEAD LINED



OPTION 2

CUSTOMER APPROVAL ENDORSEMENT	
<input type="checkbox"/>	APPROVED AS SHOWN
<input type="checkbox"/>	APPROVED WITH CHANGES SHOWN
BY:	DATE:
TITLE:	
COMPANY:	
COMMENTS:	



MOUNTING HOLES SHOWN FOR REFERENCE ONLY. TO BE FIELD DRILLED
TYP. TOP & BOTTOM ALL PANELS, TYP. BOTH OPTIONS

NOTES:

- 1) ALL UNITS ARE INCHES (mm) UNLESS OTHERWISE SPECIFIED
- 2) CUSTOMER TO APPROVE EITHER OPTION 1 OR OPTION 2

UNLESS OTHERWISE SPECIFIED		SolidWorks MAINTAINED DATA CHANGES SHALL BE INCORPORATED ELECTRONICALLY BY THE DESIGN ACTIVITY MODEL NUMBER:		Custom Radiation Protection, Shielding and Storage EZ PANEL	
DO NOT SCALE DRAWING DIMENSIONS SHOWN IN PARENTHESIS ARE FOR REFERENCE ONLY (X.XX) DIMENSIONS ARE IN INCHES [mm] TOLERANCES APPLY AS SHOWN BELOW .X = ± 0.030 .XX = ± 0.010 .XXX = ± 0.005 FRACTIONS = ± 1/16 ANGLES = ± 0.5°	ALL MACHINED SURFACES TO BE 125 ALL WELD SPECIFICATIONS PER WELD SHOP	TITLE	CUSTOMER/DEALER		
PROPRIETARY NO PART OF THIS DOCUMENT MAY BE REPRODUCED, STORED IN A RETRIEVAL SYSTEM, OR TRANSMITTED IN ANY FORM, WITHOUT THE WRITTEN PERMISSION OF MarShield - Mars Metal Company DIVISION OF Marswell Metal Industries Ltd.		DRAWN BY M.S.D. DATE 8/16/2018	SIZE B	DRAWING NO. MSEZ1684-0.8	REVISION A
		CHECKED BY	SCALE 1:13	WEIGHT	SHEET 1 OF 1
		APPROVED			