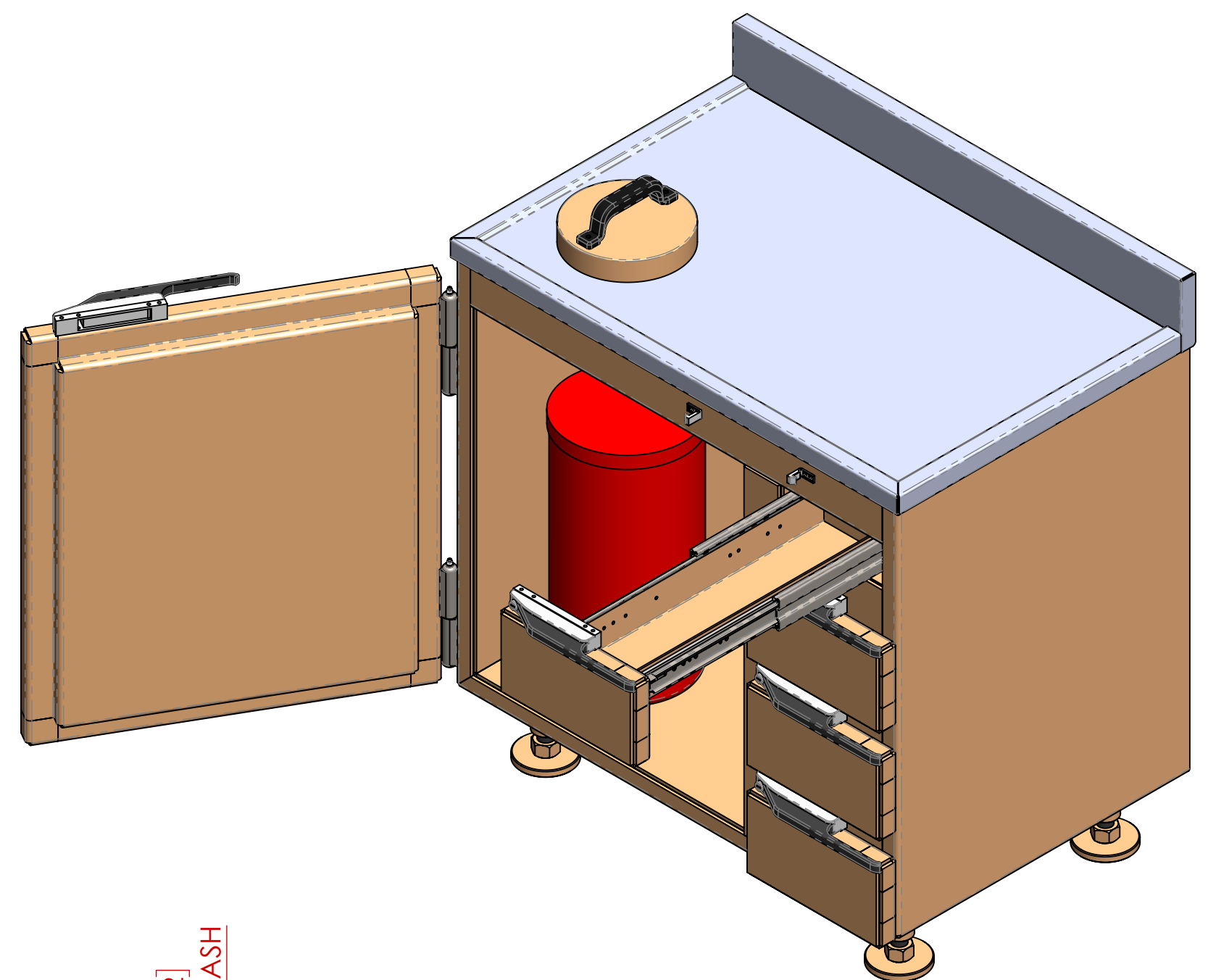


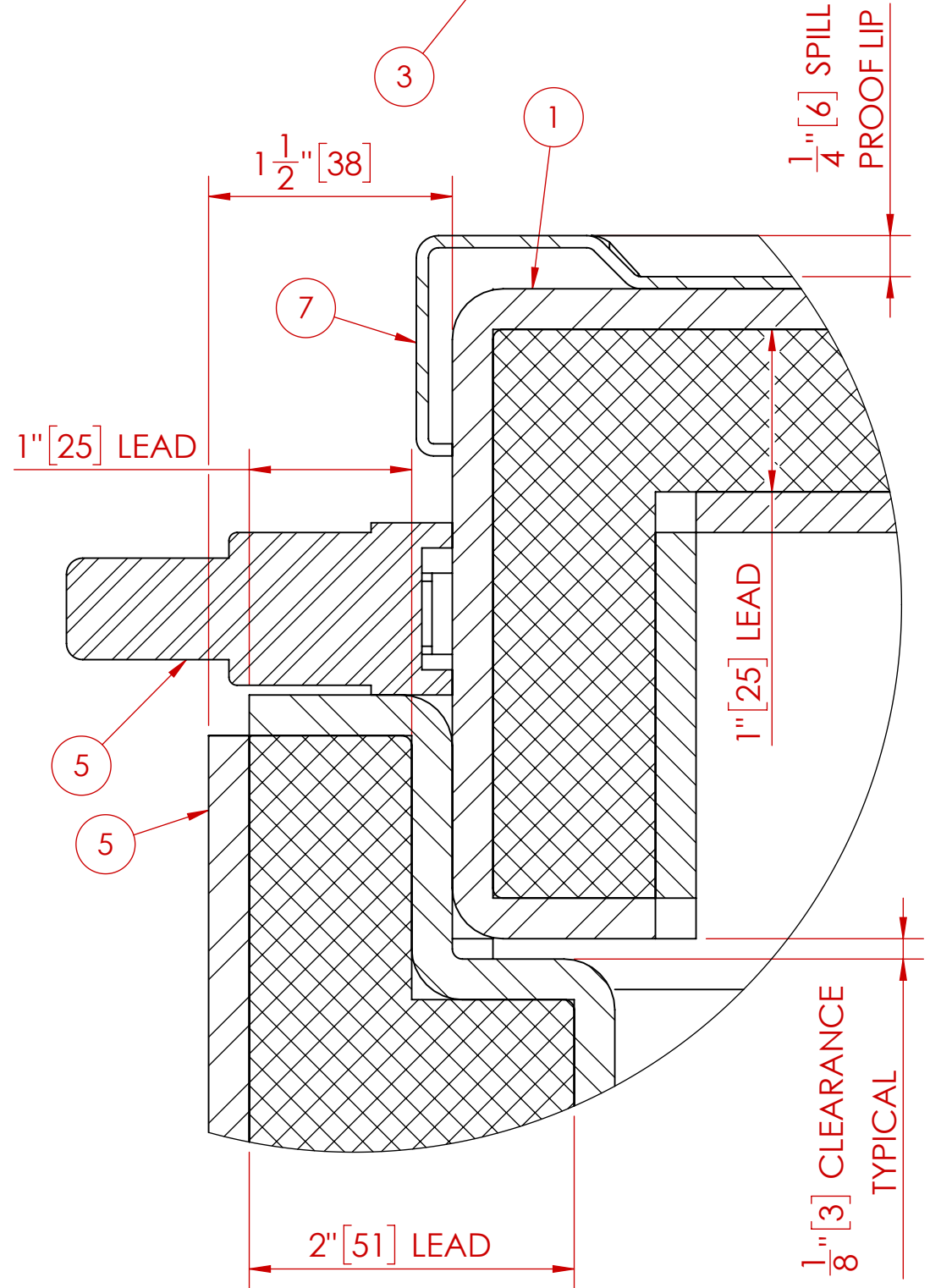
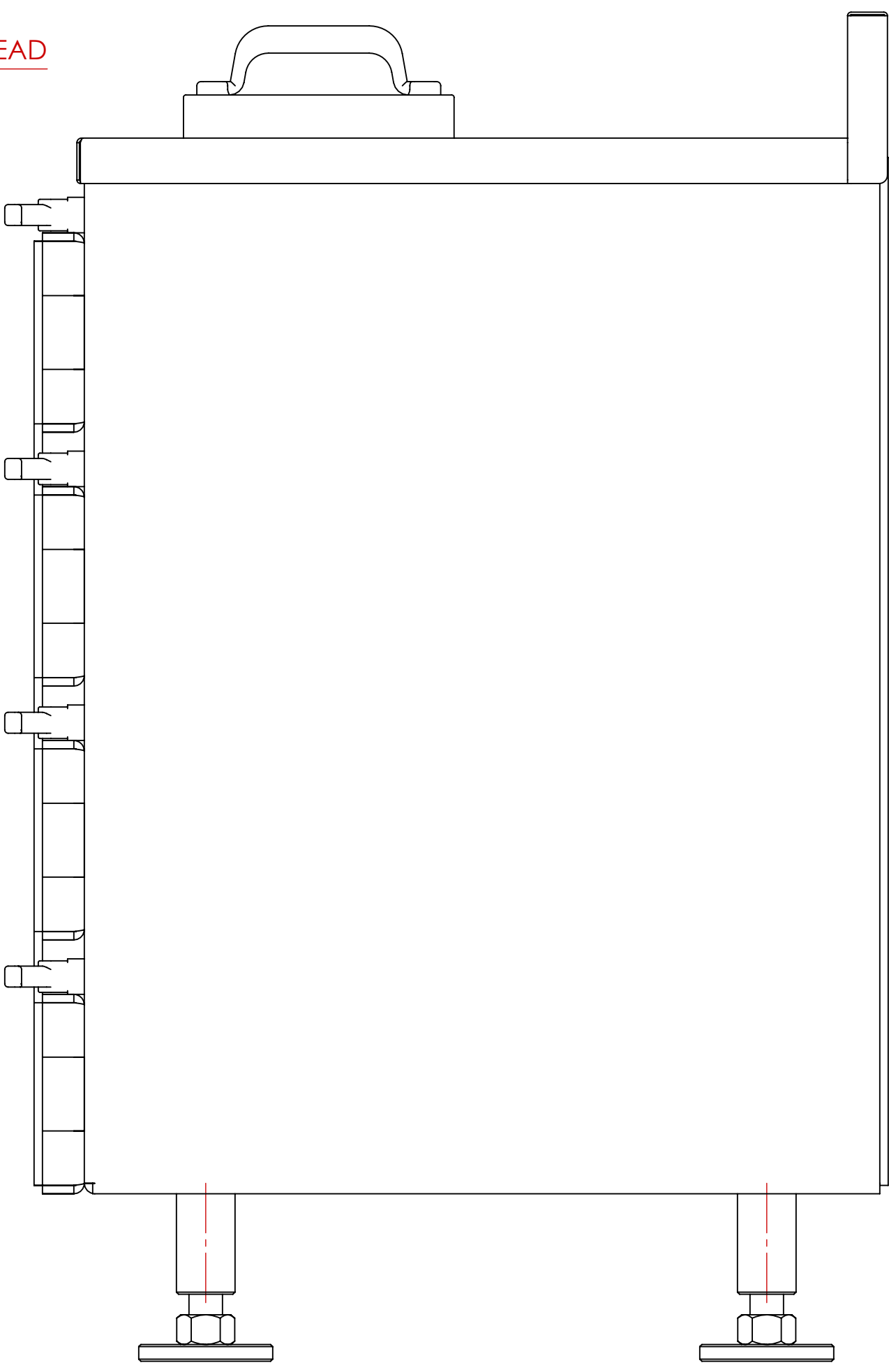
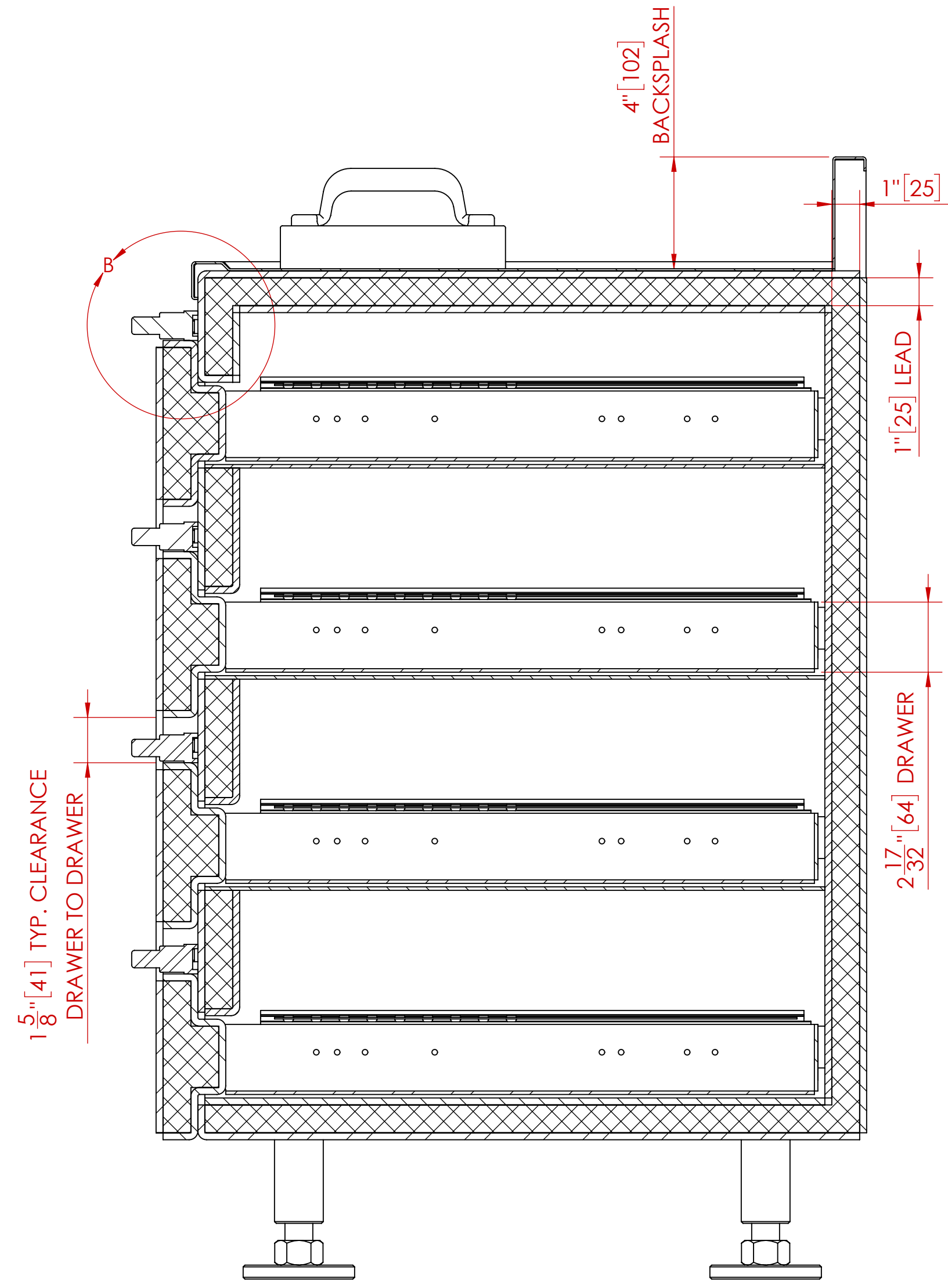
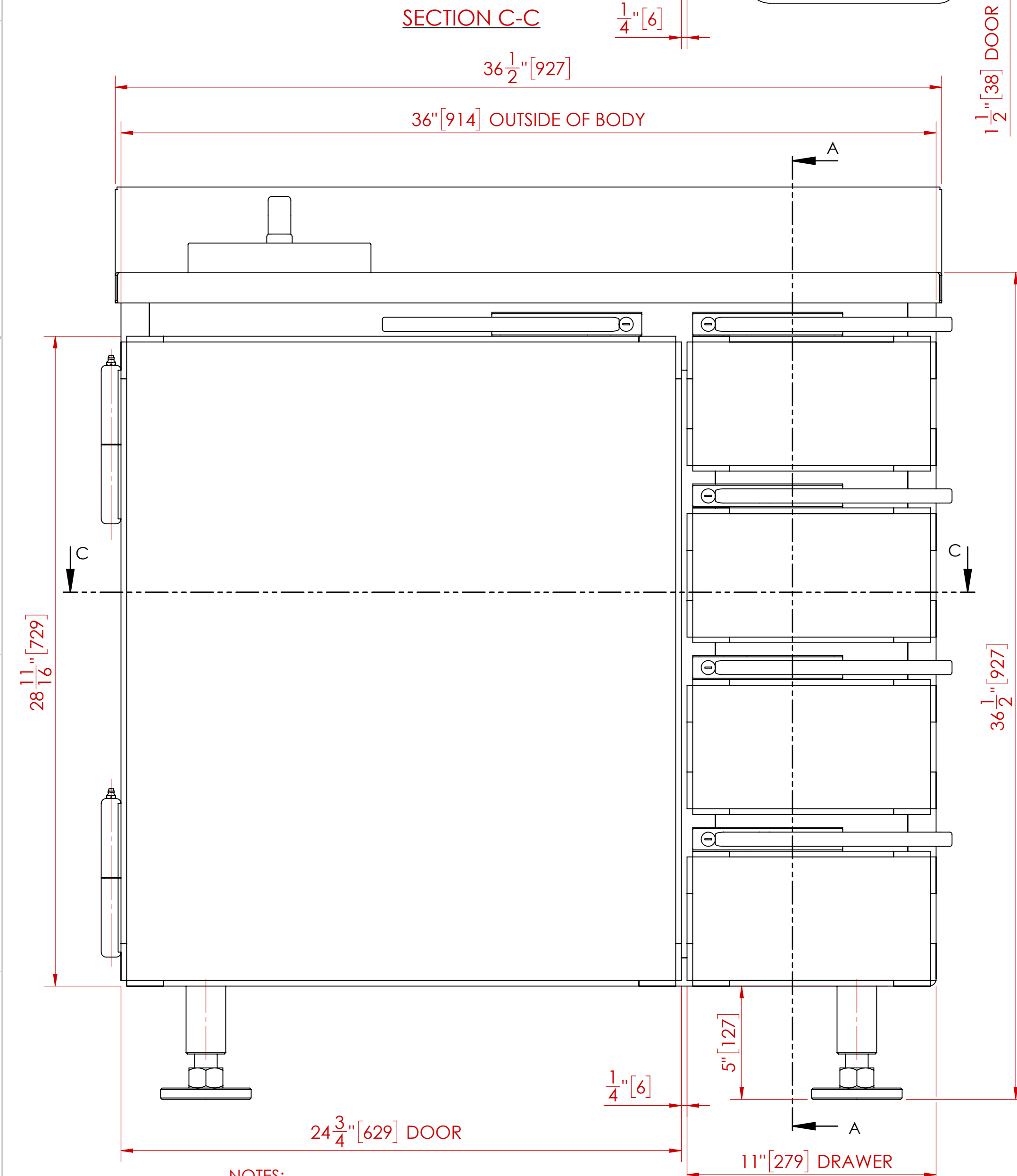
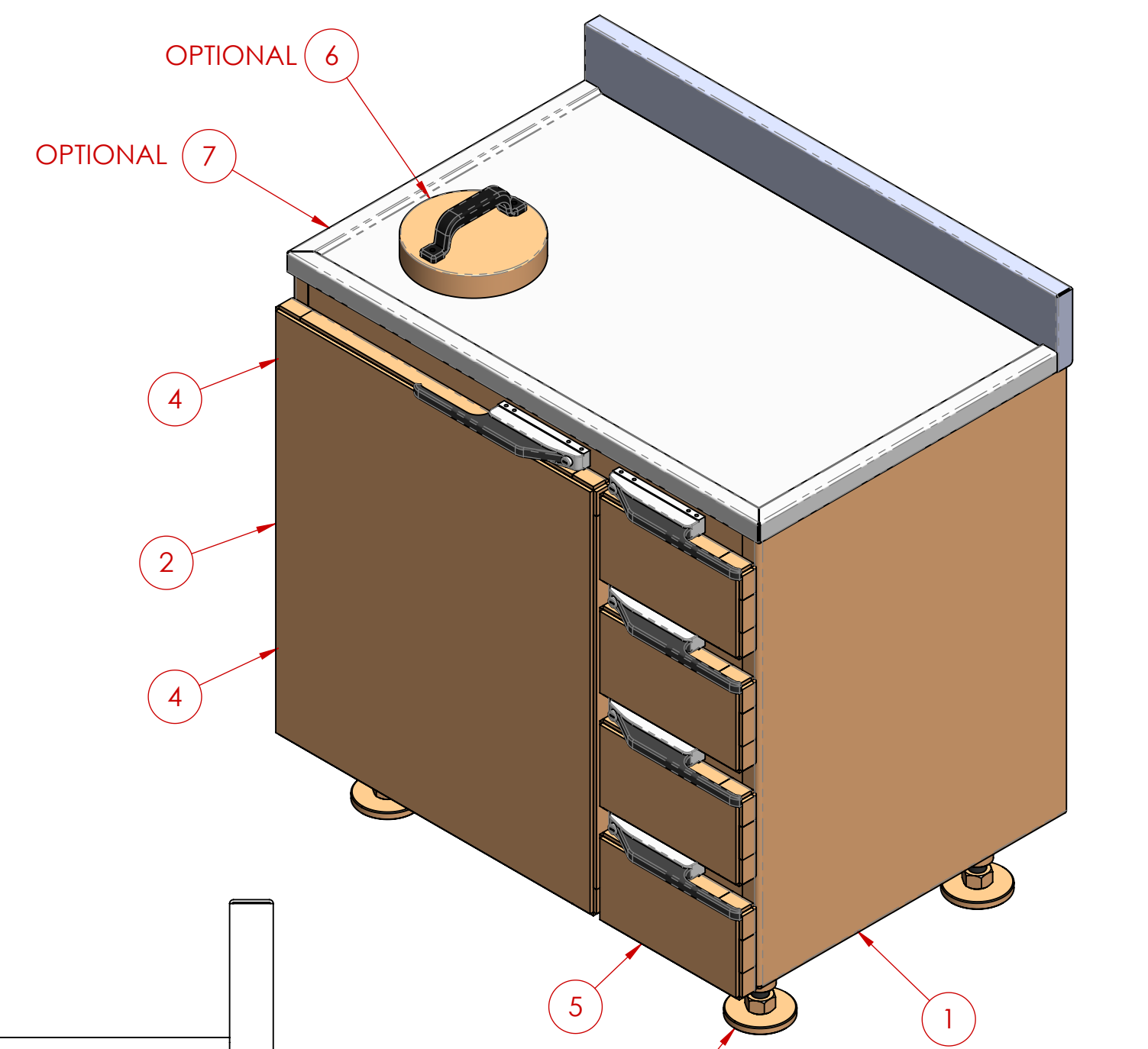
**CUSTOMER APPROVAL ENDORSEMENT**

APPROVED AS SHOWN  
 APPROVED WITH CHANGES SHOWN

BY: \_\_\_\_\_ DATE: \_\_\_\_\_  
 TITLE: \_\_\_\_\_  
 COMPANY: \_\_\_\_\_  
 COMMENTS: \_\_\_\_\_



ITEM NO.	QTY	PART NUMBER	DESCRIPTION
1	1	MS-WSC-1.0-01-00	BODY
2	1	MS-DSC-1.0-02-00	DOOR
3	4	MS-DC-0.5-08-00	LEG
4	2	-----	7" HINGE C/W GREASE NIPPLE
5	4	MS-DSC-1.0-03-00	DRAWER
6	1	-----	OPTIONAL SHARPS HOLE C/W LEAD FILLED COVER
7	1	MS-10-04	OPTIONAL CABINET TOP



- NOTES:**
1. ALL UNITS ARE INCHES [mm] UNLESS OTHERWISE SPECIFIED
  2. ITEM 6 (CABINET TOP) IS OPTIONAL
  3. ITEM 7 (SHARPS HOLE & COVER) IS OPTIONAL

TOTAL LEAD WEIGHT	TOTAL CABINET WEIGHT (INCLUDING LEAD)
2,340 LBS. (1,064 kg)	3,380 LBS. (1,536 kg)

REV.	DESCRIPTION	DATE	APPROVED
B	HANDLE/LATCH STYLE CHANGED (WAS CURVED)	7/16/2019	M.S.D.
A	ADDED WEIGHTS TABLE	2/27/2013	M.S.D.

UNLESS OTHERWISE SPECIFIED

DO NOT SCALE DRAWING DIMENSIONS SHOWN REFERENCED TO FOR DIMENSIONS ARE IN INCHES (mm) TOLERANCES APPLY AS SHOWN BELOW  
 X = ± 0.001  
 Y = ± 0.002  
 Z = ± 0.005  
 ANGLES ± 0.005°

ALL MACHINED SURFACES TO BE  $\sqrt{10}$   
 ALL WELD SPECIFICATIONS PER WELD SHOP

PROPRIETARY NO PART OF THIS DOCUMENT MAY BE REPRODUCED, STORED IN A RETRIEVAL SYSTEM, OR TRANSMITTED IN ANY FORM, WITHOUT THE WRITTEN PERMISSION OF MarShield - Mors Metall Company DIVISION OF Marshfield Metal Industries Ltd.

SolidWorks MAINTAINED DATA CHANGES SHALL BE INCORPORATED ELECTRONICALLY BY THE DESIGN ACTIVITY

MOSES NUMBER: \_\_\_\_\_

TITLE: WASTE & STORAGE CABINET ASSEMBLY  
 CUSTOMER/DEALER: \_\_\_\_\_

DRAWN BY: M.S.D. DATE: 2/20/2013  
 CHECKED BY: \_\_\_\_\_ DATE: \_\_\_\_\_  
 APPROVED: \_\_\_\_\_ DATE: \_\_\_\_\_

SCALE: 1:4 HEIGHT: 1 SHEET 1 OF 1

**MarShield** Custom Radiation Protection, Shielding and Storage

**MS-WSC-1.0-36.5-24-36.5**