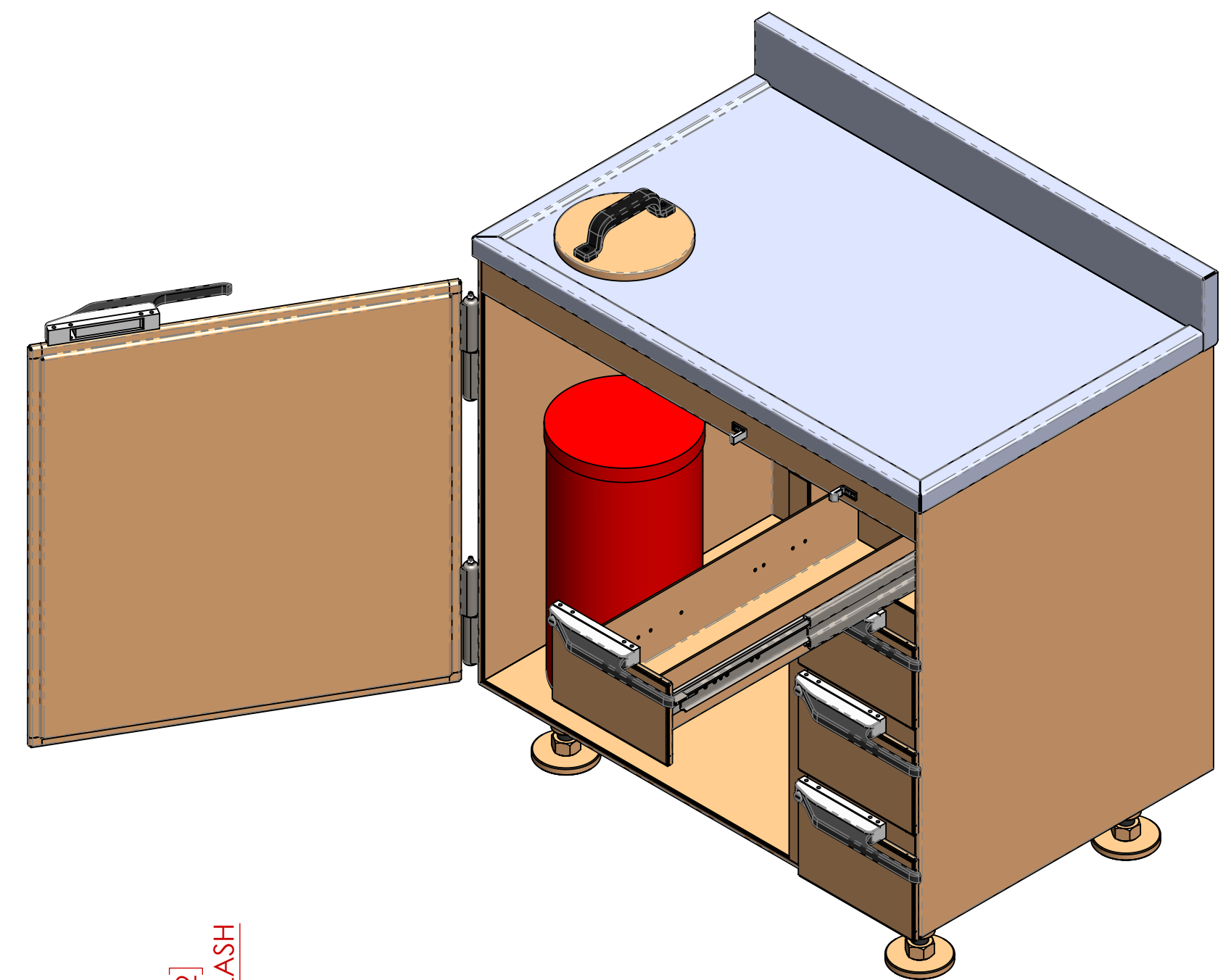


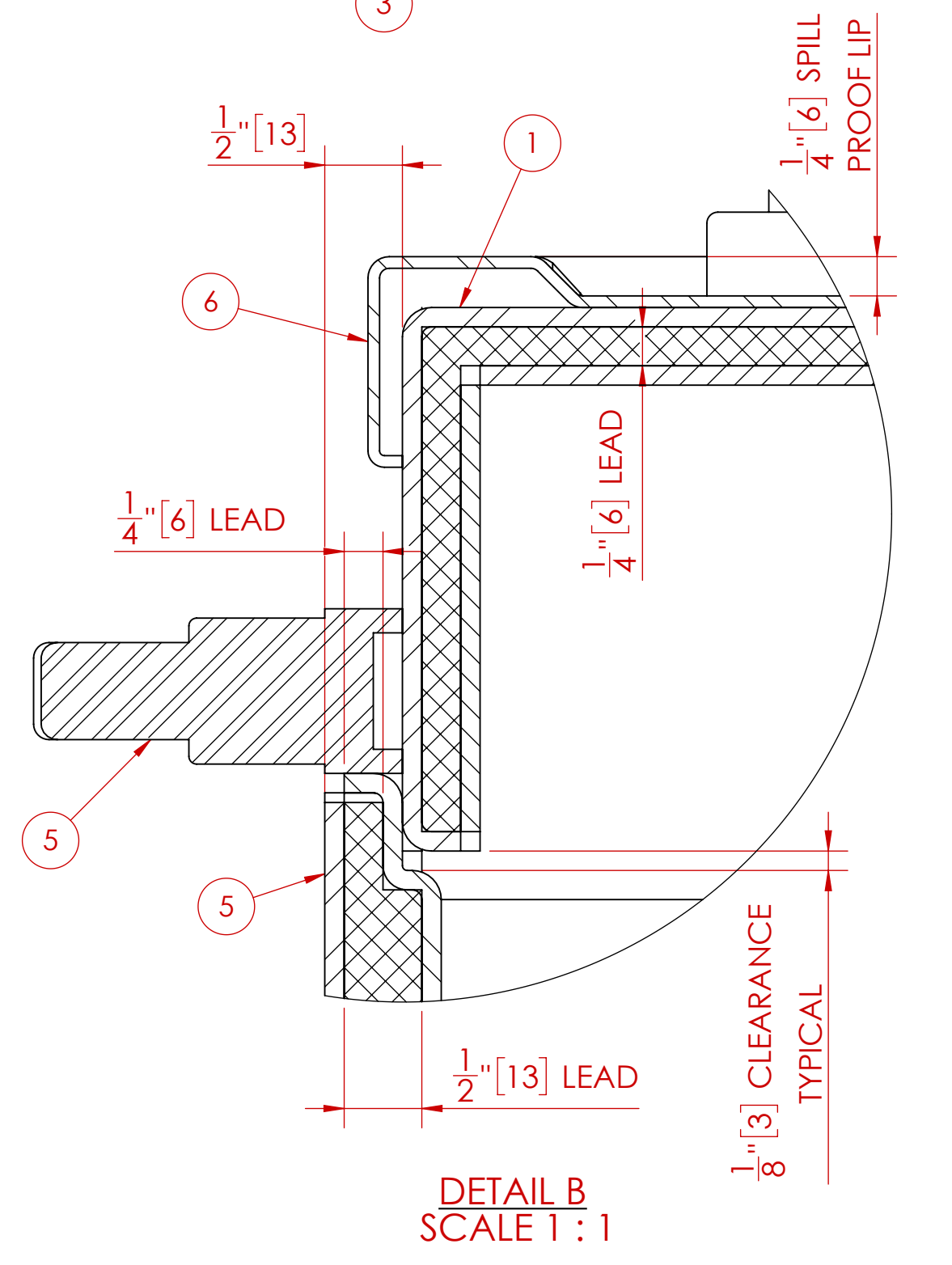
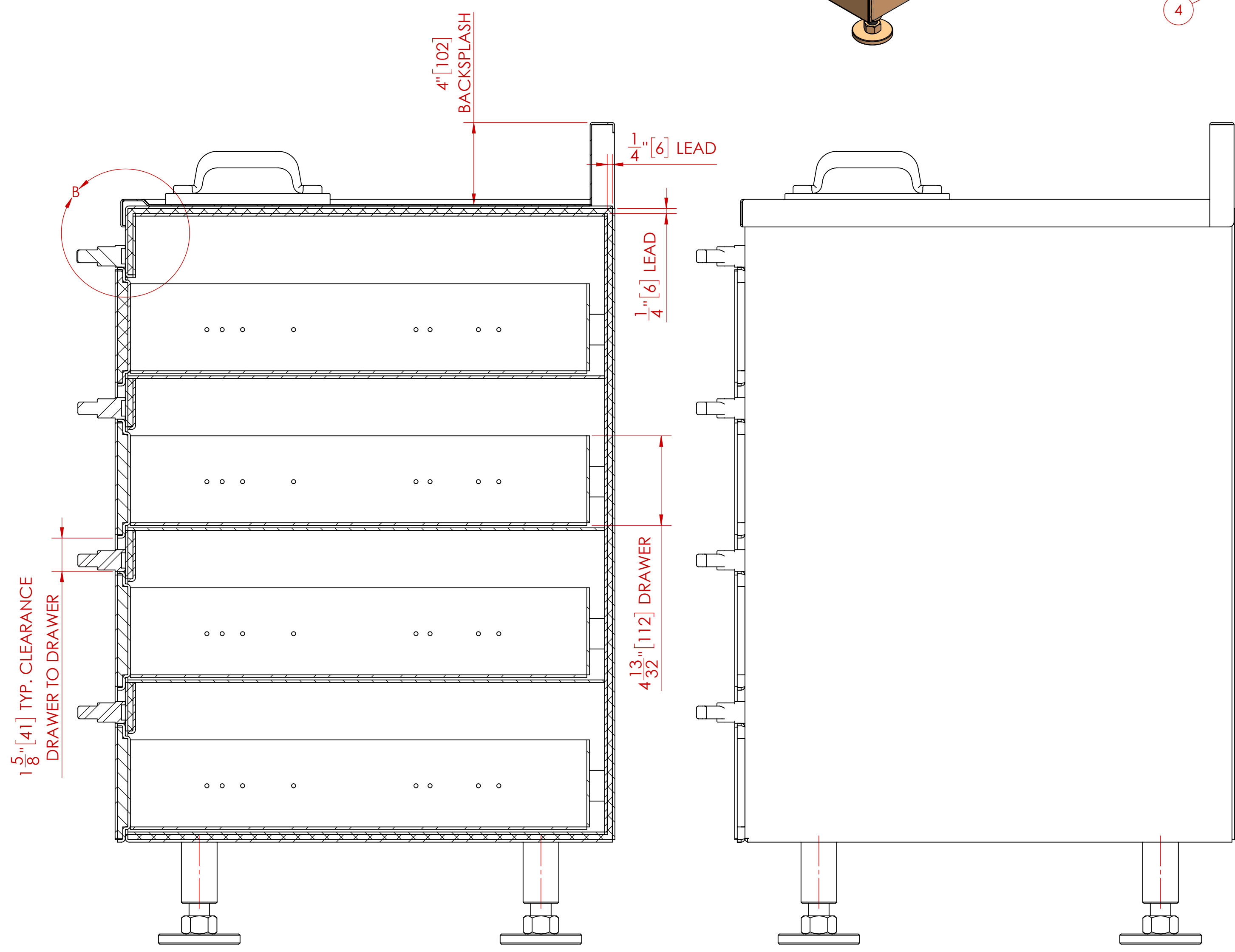
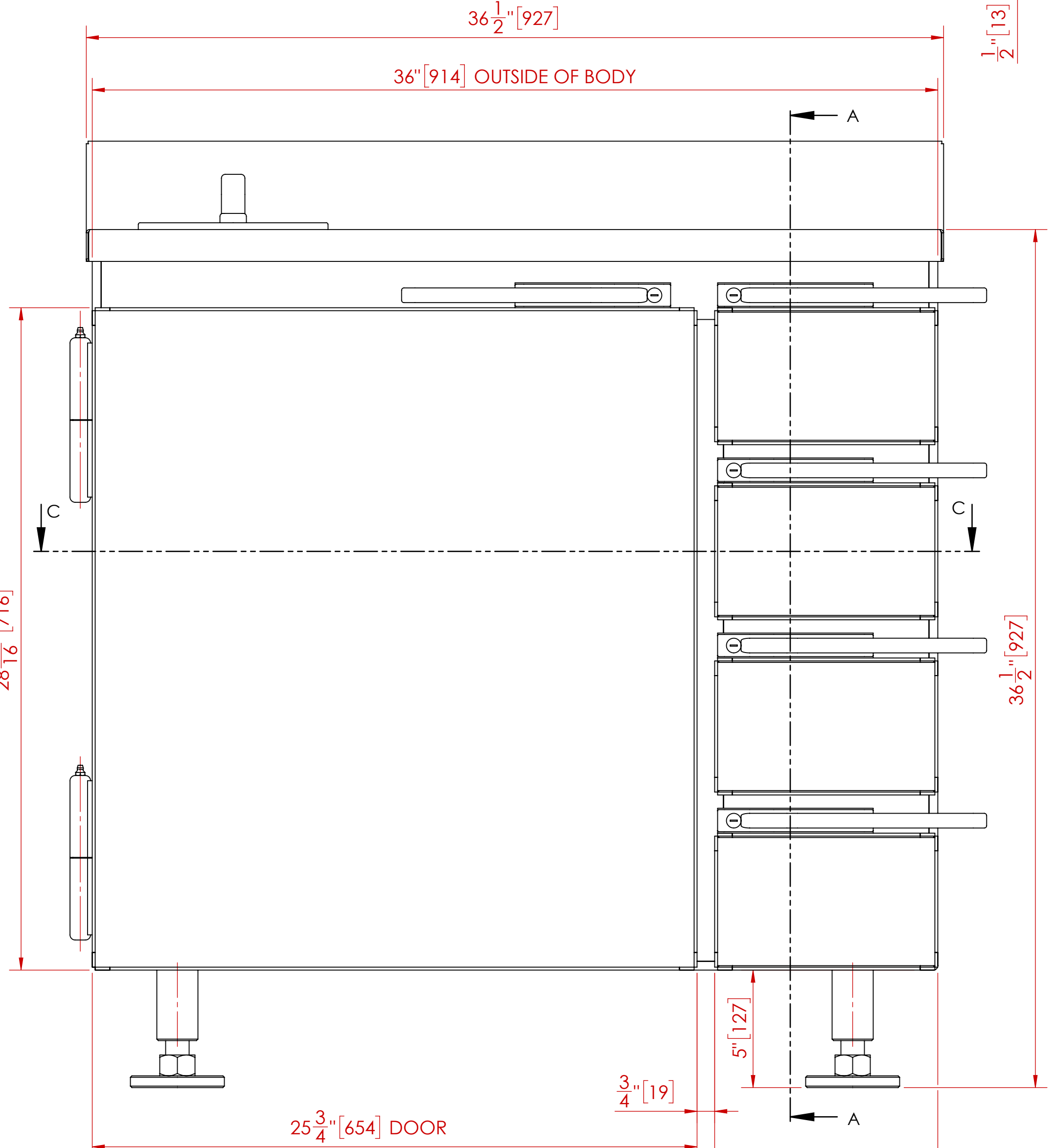
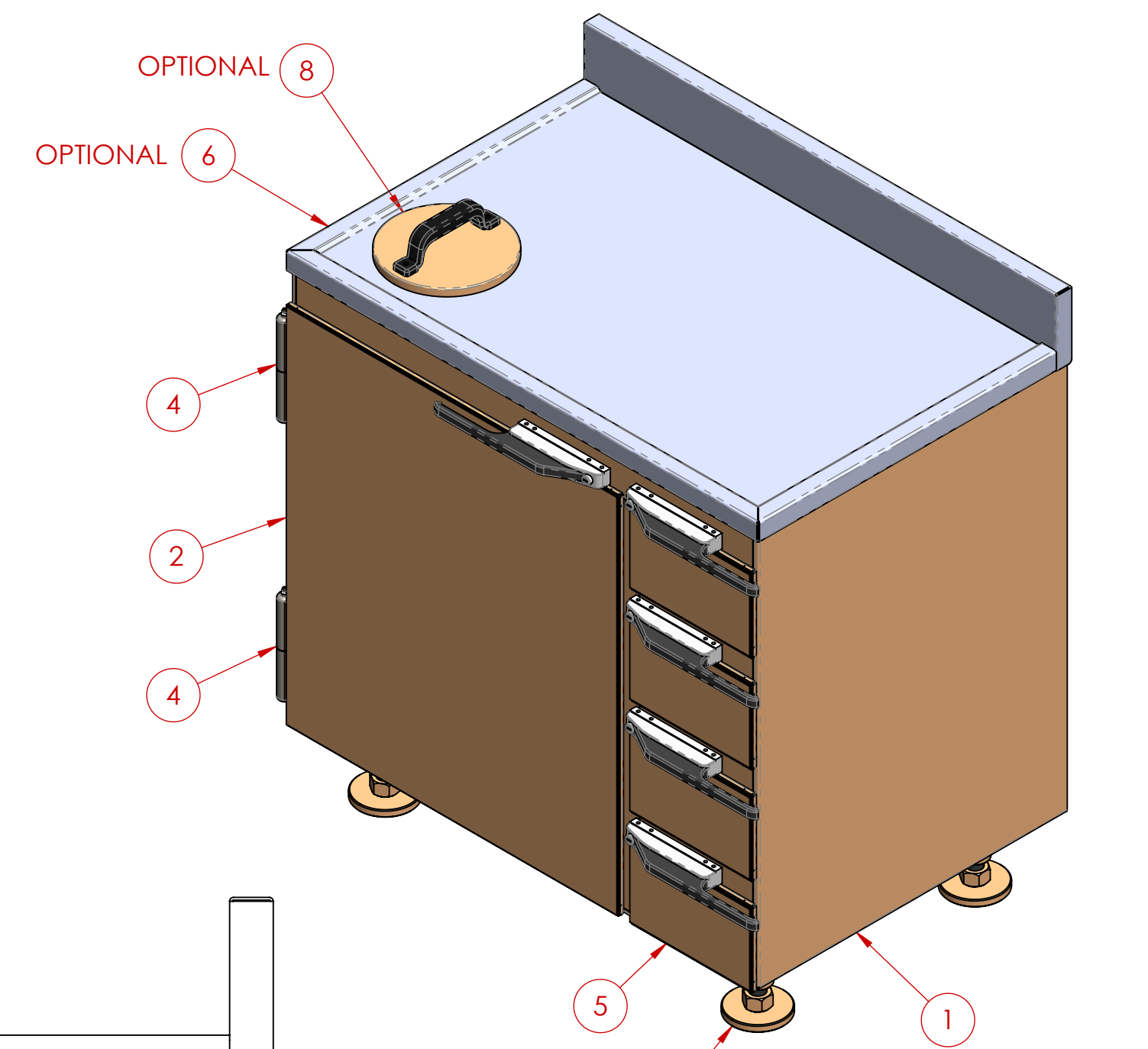
**CUSTOMER APPROVAL ENDORSEMENT**

APPROVED AS SHOWN  
 APPROVED WITH CHANGES SHOWN

BY: \_\_\_\_\_ DATE: \_\_\_\_\_  
 TITLE: \_\_\_\_\_  
 COMPANY: \_\_\_\_\_  
 COMMENTS: \_\_\_\_\_



ITEM NO.	QTY	PART NUMBER	DESCRIPTION
1	1	MS-WSC-0.25-01-00	BODY
2	1	MS-DSC-0.25-02-00	DOOR
3	4	MS-DC-0.5-08-00	LEG
4	2	-----	7" HINGE C/W GREASE NIPPLE
5	4	MS-DSC-0.25-03-00	DRAWER
6	1	MS-10-04	OPTIONAL CABINET TOP
8	1	-----	OPTIONAL SHARPS HOLE C/W LEAD FILLED COVER



- NOTES:**
- ALL UNITS ARE INCHES [mm] UNLESS OTHERWISE SPECIFIED
  - ITEM 6 (CABINET TOP) IS OPTIONAL
  - ITEM 7 (SHARPS HOLE & COVER) IS OPTIONAL

TOTAL LEAD WEIGHT	TOTAL CABINET WEIGHT (INCLUDING LEAD)
630 LBS. (286 kg)	1,275 LBS. (580 kg)

REV.	DESCRIPTION	DATE	APPROVED
B	HANDLE/LATCH STYLE CHANGED (WAS CURVED)	7/16/2019	M.S.D.
A	ADDED WEIGHTS TABLE	2/27/2013	M.S.D.
REV.	DESCRIPTION	DATE	APPROVED

UNLESS OTHERWISE SPECIFIED

DO NOT SCALE DRAWING DIMENSIONS SHOWN PREFERABLY USE FOR REFERENCE ONLY (X.X) DIMENSIONS ARE IN INCHES (mm) TOLERANCES APPLY AS SHOWN BELOW  
 X = ± 0.000  
 XX = ± 0.005  
 XXX = ± 0.010  
 ANGLES = ± 0.007

ALL MACHINED SURFACES TO BE  $\sqrt{10}$   
 ALL WELD SPECIFICATIONS PER WELD SHOP

PROPRIETARY  
 NO PART OF THIS DOCUMENT MAY BE REPRODUCED, STORED IN A RETRIEVAL SYSTEM, OR TRANSMITTED IN ANY FORM, WITHOUT THE WRITTEN PERMISSION OF MofShield - Mof's Metall Company DIVISION OF Marshall Metal Industries Ltd.

SolidWorks MAINTAINED DATA CHANGES SHALL BE INCORPORATED ELECTRONICALLY BY THE DESIGN ACTIVITY

MODEL NUMBER: \_\_\_\_\_  
 TITLE: **WASTE & STORAGE CABINET ASSEMBLY**  
 CUSTOMER/DEALER: \_\_\_\_\_

DRAWN BY: M.S.D. DATE: 2/14/2013  
 CHECKED BY: \_\_\_\_\_ DATE: \_\_\_\_\_  
 APPROVED: \_\_\_\_\_ DATE: \_\_\_\_\_

SCALE: 1:4 HEIGHT: 1 SHEET 1 OF 1

**MofShield** Custom Radiation Protection, Shielding and Storage

MS-WSC-0.25-36.5-24-36.5