

**CUSTOMER APPROVAL ENDORSEMENT**

APPROVED AS SHOWN  
 APPROVED WITH CHANGES SHOWN

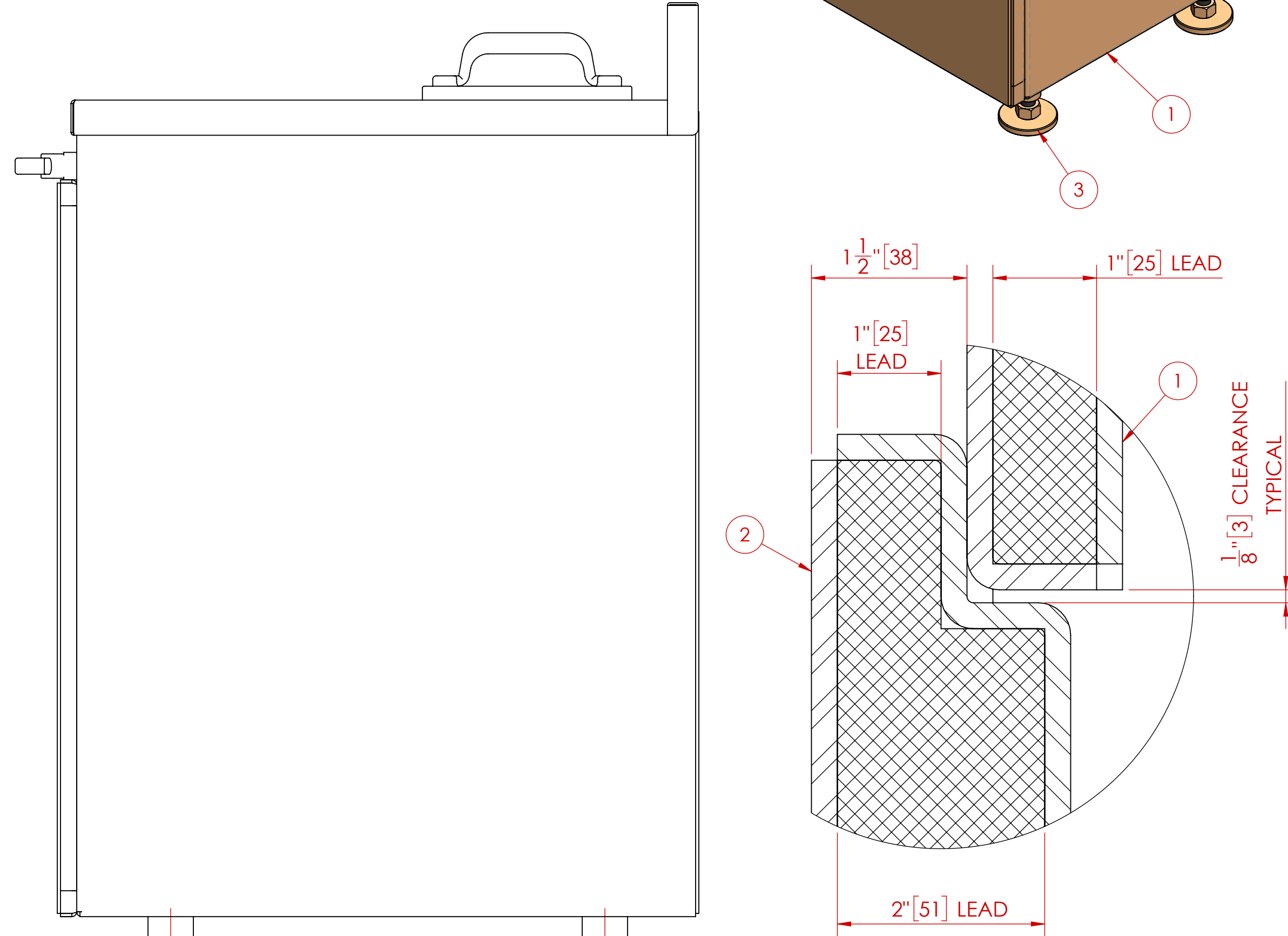
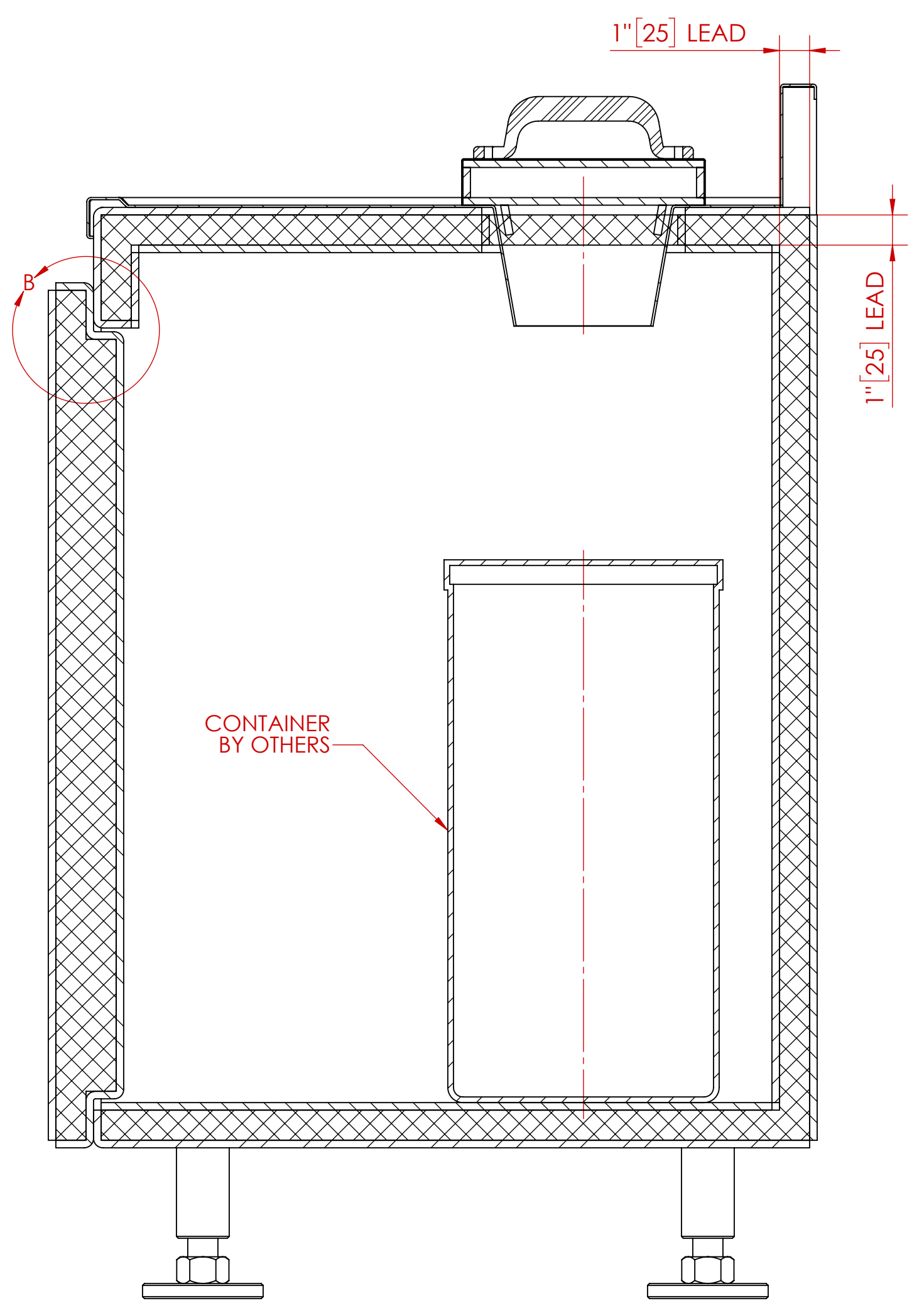
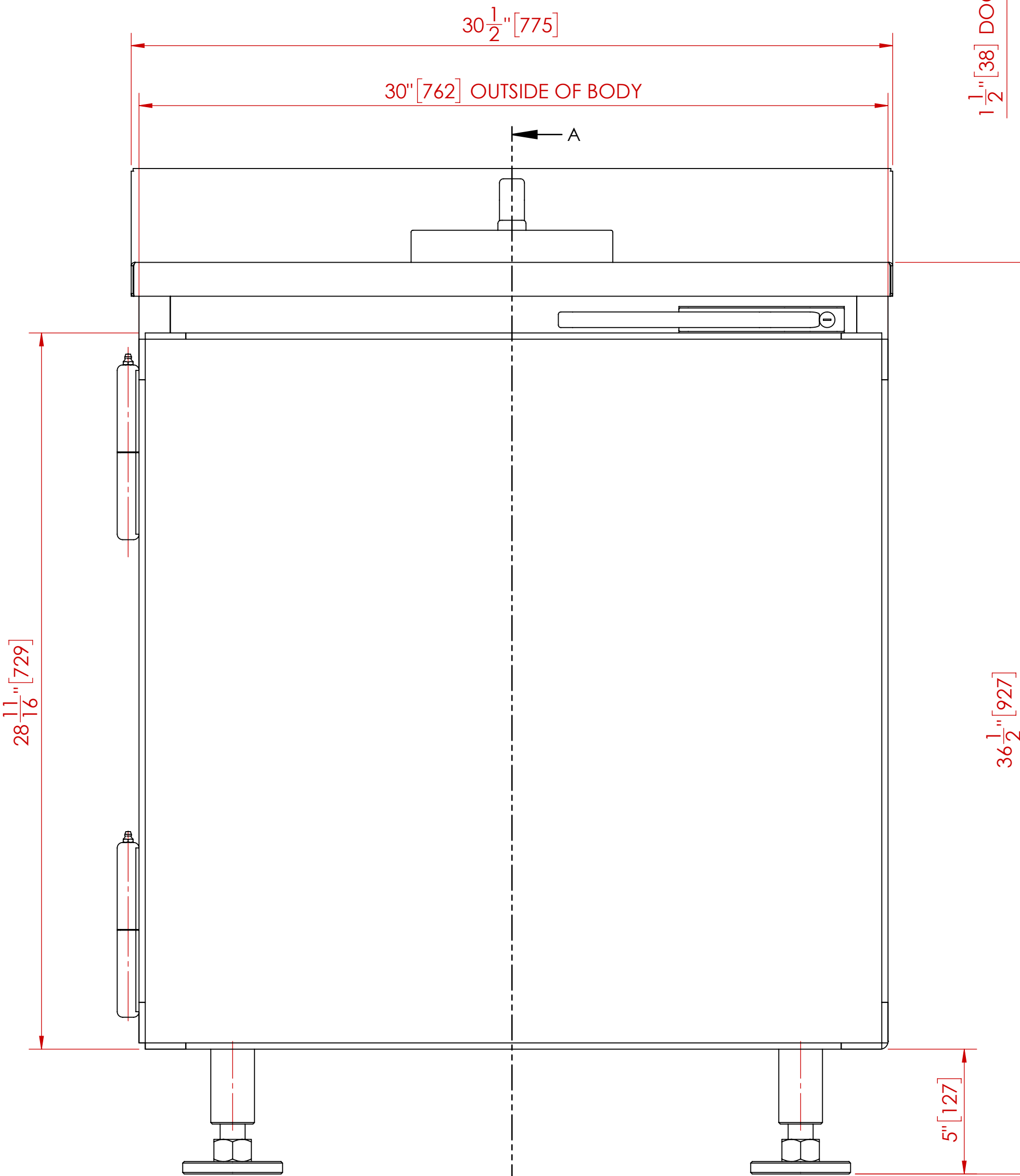
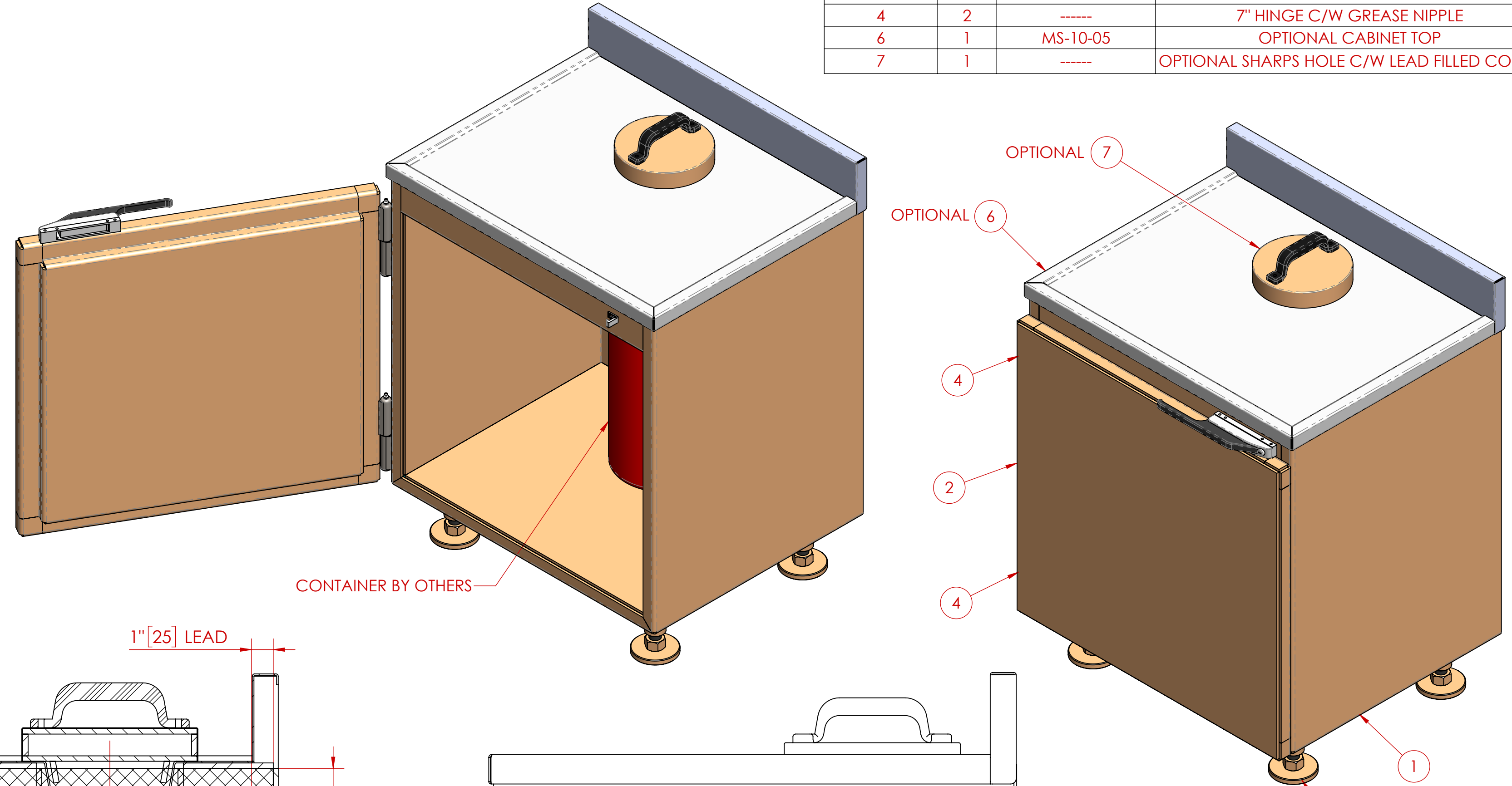
BY: \_\_\_\_\_ DATE: \_\_\_\_\_

TITLE: \_\_\_\_\_

COMPANY: \_\_\_\_\_

COMMENTS: \_\_\_\_\_

ITEM NO.	QTY	PART NUMBER	DESCRIPTION
1	1	MS-WC-1.0-01-00	BODY
2	1	MS-DC-1.0-02-00	DOOR
3	4	MS-DC-0.5-08-00	LEG
4	2	-----	7" HINGE C/W GREASE NIPPLE
6	1	MS-10-05	OPTIONAL CABINET TOP
7	1	-----	OPTIONAL SHARPS HOLE C/W LEAD FILLED COVER



- NOTES:**
1. ALL UNITS ARE INCHES [mm] UNLESS OTHERWISE SPECIFIED
  2. ITEM 5 (CABINET TOP) IS OPTIONAL
  3. ITEM 6 (SHARPS HOLE & COVER) IS OPTIONAL

TOTAL LEAD WEIGHT	TOTAL CABINET WEIGHT (INCLUDING LEAD)
2,055 LBS. (934 kg)	2,745 LBS. (1,248 kg)

REV.	DESCRIPTION	DATE	APPROVED
B	HANDLE/LATCH STYLE CHANGED (WAS CURVED)	7/16/2019	M.S.D.
A	ADDED WEIGHTS TABLE	2/27/2013	M.S.D.

UNLESS OTHERWISE SPECIFIED

DO NOT SCALE DRAWING DIMENSIONS SHOWN PREFERABLY ARE FOR REFERENCE ONLY (XX) DIMENSIONS ARE IN INCHES [mm] TOLERANCES APPLY AS SHOWN BELOW  
 X = ± 0.001  
 XX = ± 0.002  
 XXX = ± 0.005  
 ANGLES = ± 0.007

ALL MACHINED SURFACES TO BE 12.5  
 ALL WELD SPECIFICATIONS PER WELD SHOP

PROPRIETARY  
 NO PART OF THIS DOCUMENT MAY BE REPRODUCED, STORED IN A RETRIEVAL SYSTEM, OR TRANSMITTED IN ANY FORM, WITHOUT THE WRITTEN PERMISSION OF MarShield - Mgrs Metall Company DIVISION OF Marshall Metal Industries Ltd.

SolidWorks MAINTAINED DATA CHANGES SHALL BE INCORPORATED ELECTRONICALLY BY THE DESIGN ACTIVITY

MODEL NUMBER: MS-WC-1.0-30.5-24-36.5

DRAWN BY: M.S.D. DATE: 2/18/2013  
 CHECKED BY: \_\_\_\_\_ DATE: \_\_\_\_\_  
 APPROVED BY: \_\_\_\_\_ DATE: \_\_\_\_\_

**MarShield** Custom Radiation Protection, Shielding and Storage

TITLE: WASTE CABINET ASSEMBLY  
 CUSTOMER/DEALER: \_\_\_\_\_  
 SCALE: 1:4 HEIGHT: 1 SHEET 1 OF 1