

ITEM NO.	QTY	PART NUMBER	DESCRIPTION
1	1	MS-WC-0.25-01-00	BODY
2	1	MS-DC-0.25-02-00	DOOR
3	4	MS-DC-0.5-08-00	LEG
4	2	-----	7" HINGE C/W GREASE NIPPLE
5	1	MS-10-05	OPTIONAL CABINET TOP
6	1	-----	OPTIONAL SHARPS HOLE C/W LEAD FILLED COVER

CUSTOMER APPROVAL ENDORSEMENT

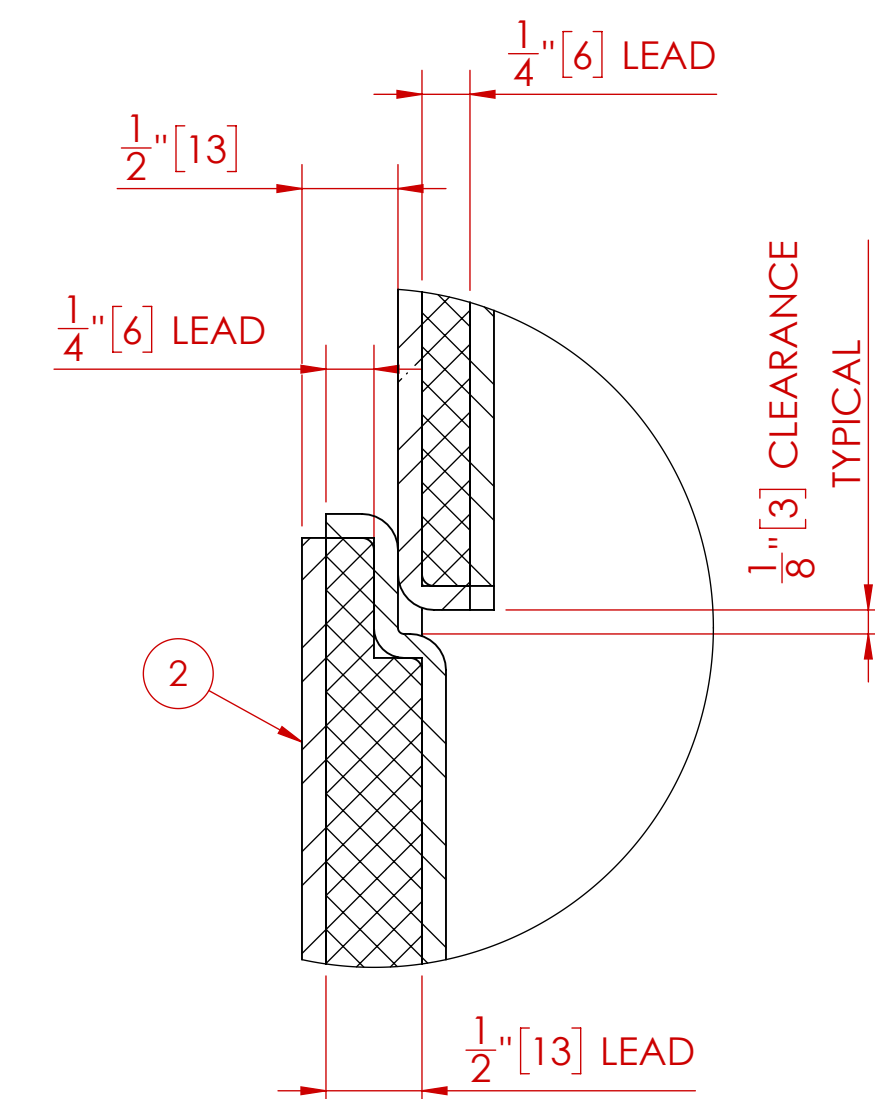
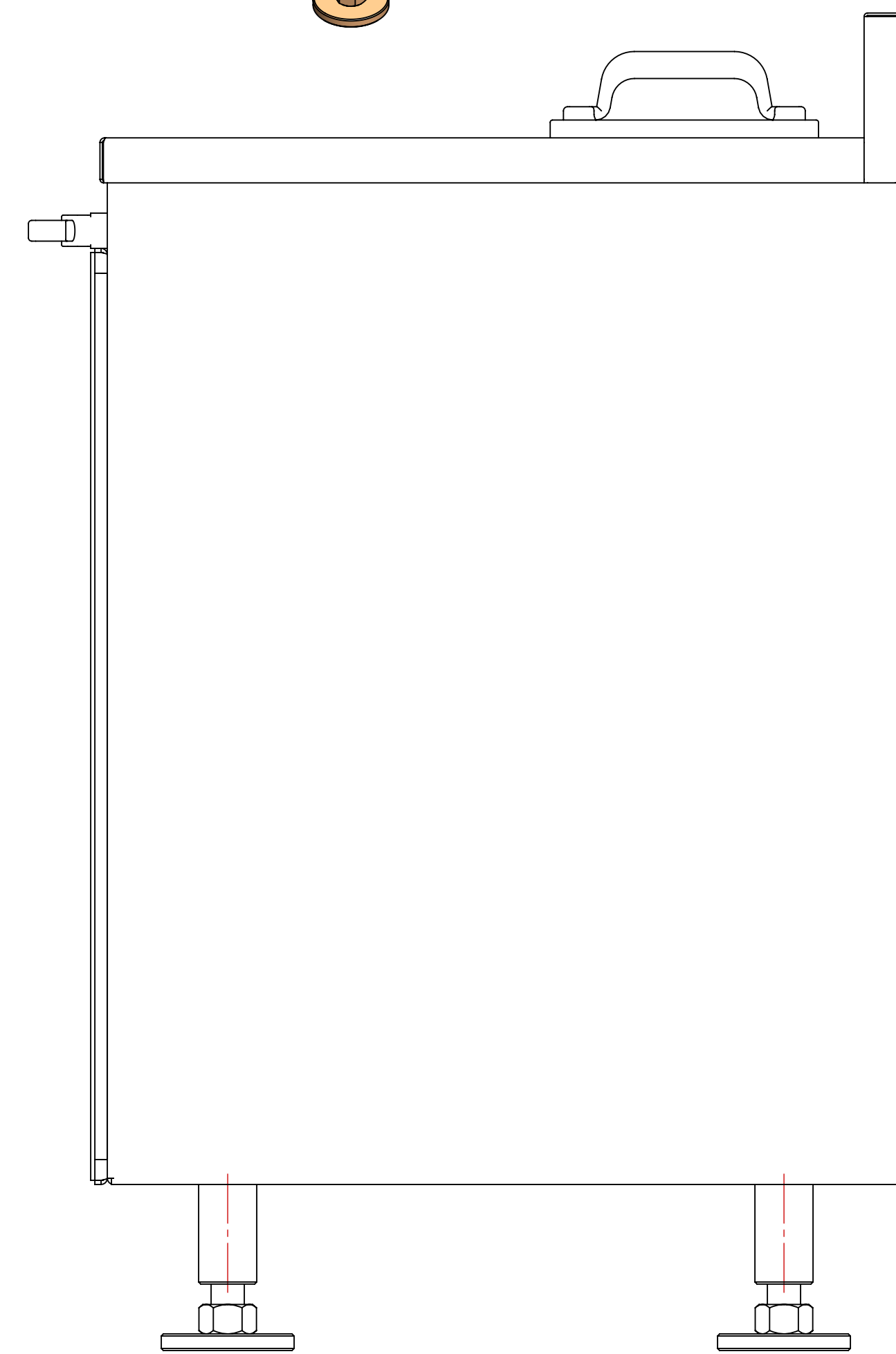
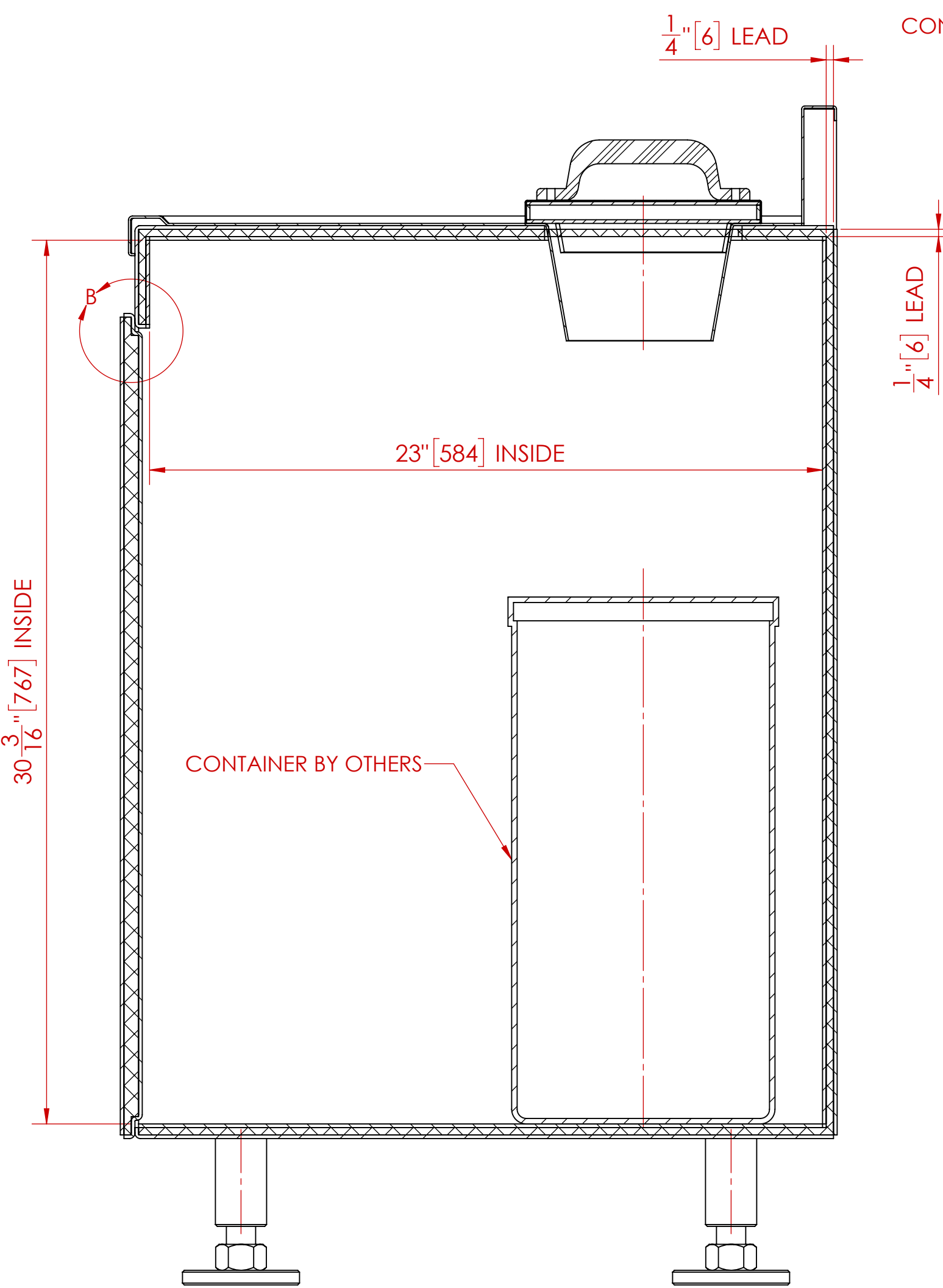
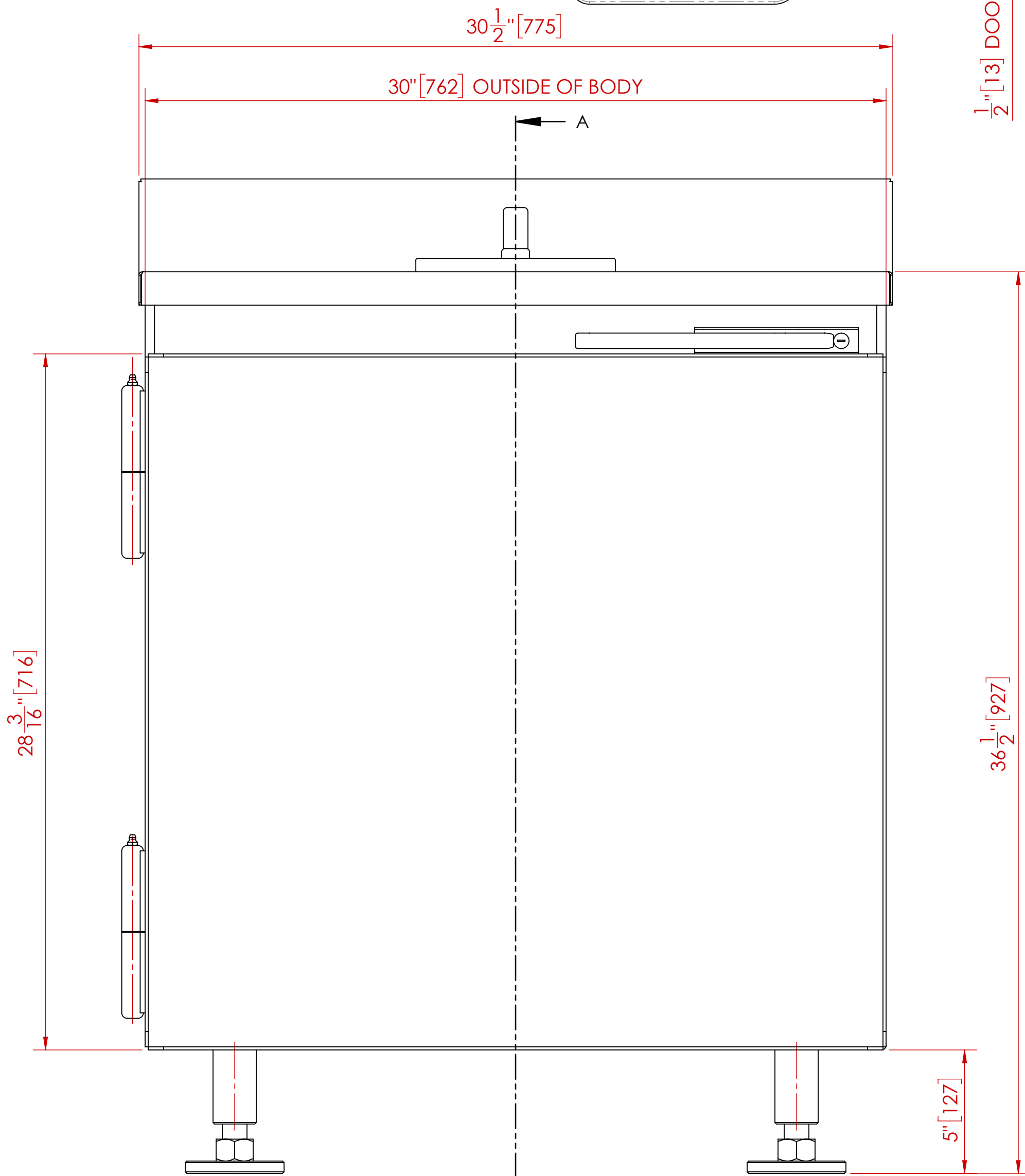
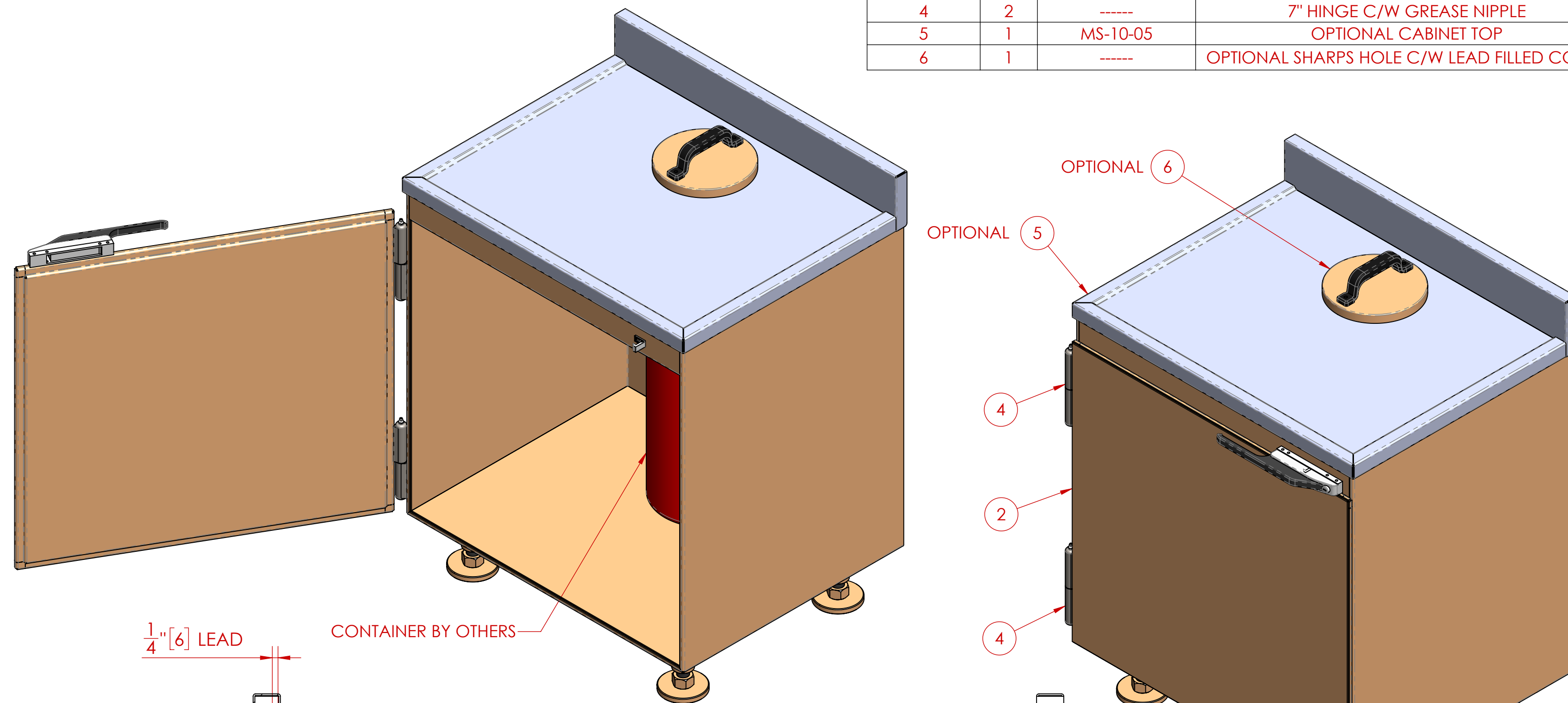
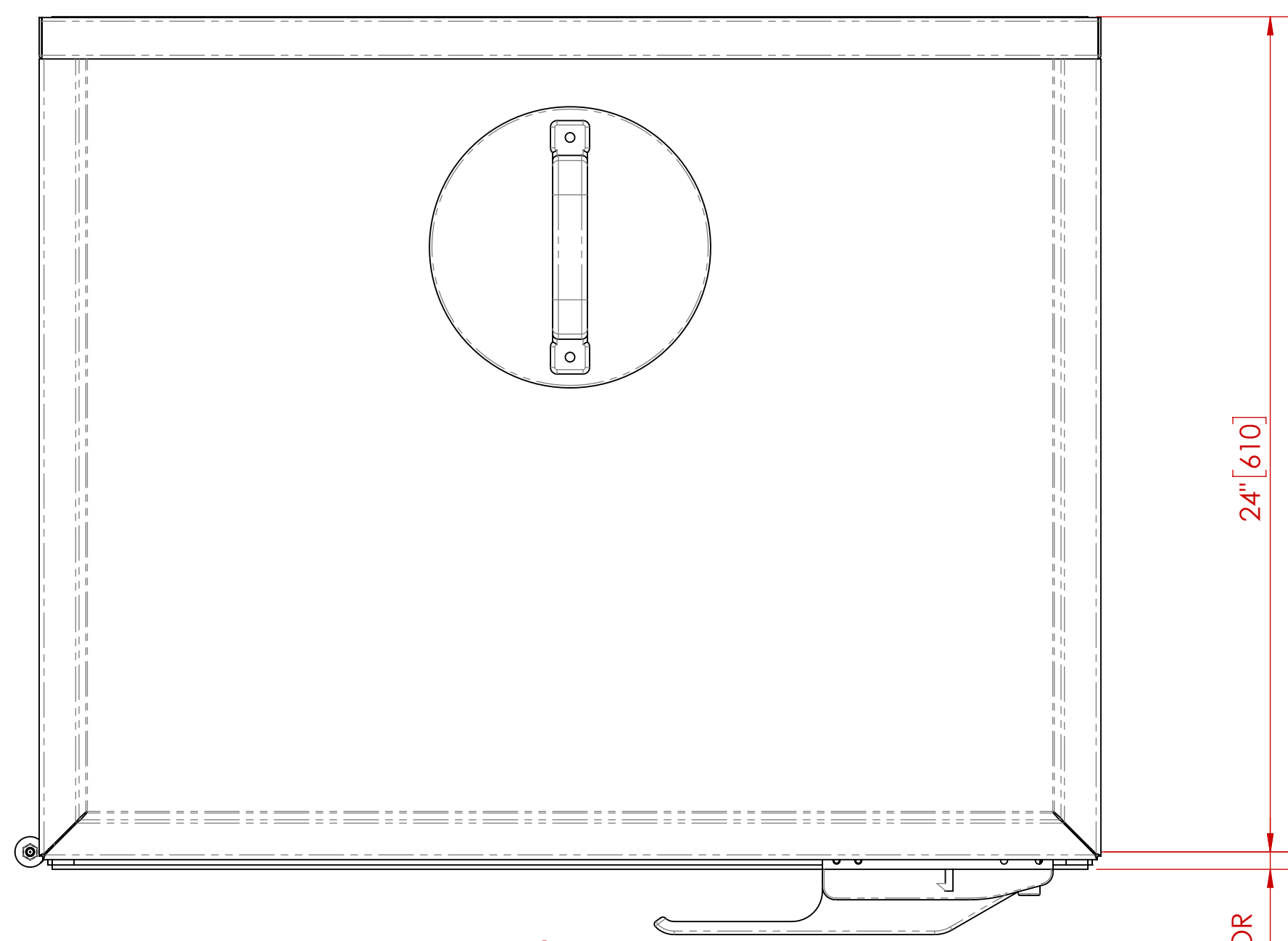
APPROVED AS SHOWN
 APPROVED WITH CHANGES SHOWN

BY: _____ DATE: _____

TITLE: _____

COMPANY: _____

COMMENTS: _____



DETAIL B
SCALE 1 : 1

SECTION A-A

NOTES:

1. ALL UNITS ARE INCHES [mm] UNLESS OTHERWISE SPECIFIED
2. ITEM 5 (CABINET TOP) IS OPTIONAL
3. ITEM 6 (SHARPS HOLE & COVER) IS OPTIONAL

TOTAL LEAD WEIGHT	TOTAL CABINET WEIGHT (INCLUDING LEAD)
552 LBS. (251 kg)	927 LBS. (421 kg)

REV.	DESCRIPTION	DATE	APPROVED
B	HANDLE/LATCH STYLE CHANGED (WAS CURVED)	7/16/2019	M.S.D.
A	ADDED WEIGHTS TABLE	2/27/2013	M.S.D.

UNLESS OTHERWISE SPECIFIED

DO NOT SCALE DRAWING DIMENSIONS SHOWN PREFERENCES ARE FOR REFERENCE ONLY (XXI) DIMENSIONS ARE IN INCHES (mm) TOLERANCES APPLY AS SHOWN BELOW

XX = ± 0.005
 XXX = ± 0.010
 ANGLES ± 0.007

ALL MACHINED SURFACES TO BE ALL WELD SPECIFICATIONS PER WELD SHOP

PROPRIETARY NO PART OF THIS DOCUMENT MAY BE REPRODUCED, STORED IN A RETRIEVAL SYSTEM, OR TRANSMITTED IN ANY FORM, WITHOUT THE WRITTEN PERMISSION OF MarShield - MGR Metall Company DIVISION OF Marshall Metal Industries Ltd.

ALL MACHINED SURFACES TO BE ALL WELD SPECIFICATIONS PER WELD SHOP

SolidWorks MAINTAINED DATA CHANGES SHALL BE INCORPORATED ELECTRONICALLY BY THE DESIGN ACTIVITY

MODEL NUMBER: _____

DRAWN BY: M.S.D. DATE: 2/8/2013

CHECKED BY: _____ DATE: _____

APPROVED: _____ DATE: _____

MarShield Custom Radiation Protection, Shielding and Storage

TITLE: **WASTE CABINET ASSEMBLY**

CUSTOMER/DEALER: _____

SCALE: 1:4 WEIGHT: 1 SHEET 1 OF 1

MS-WC-0.25-30.5-24-36.5