

SECTION C-C

CUSTOMER APPROVAL ENDORSEMENT

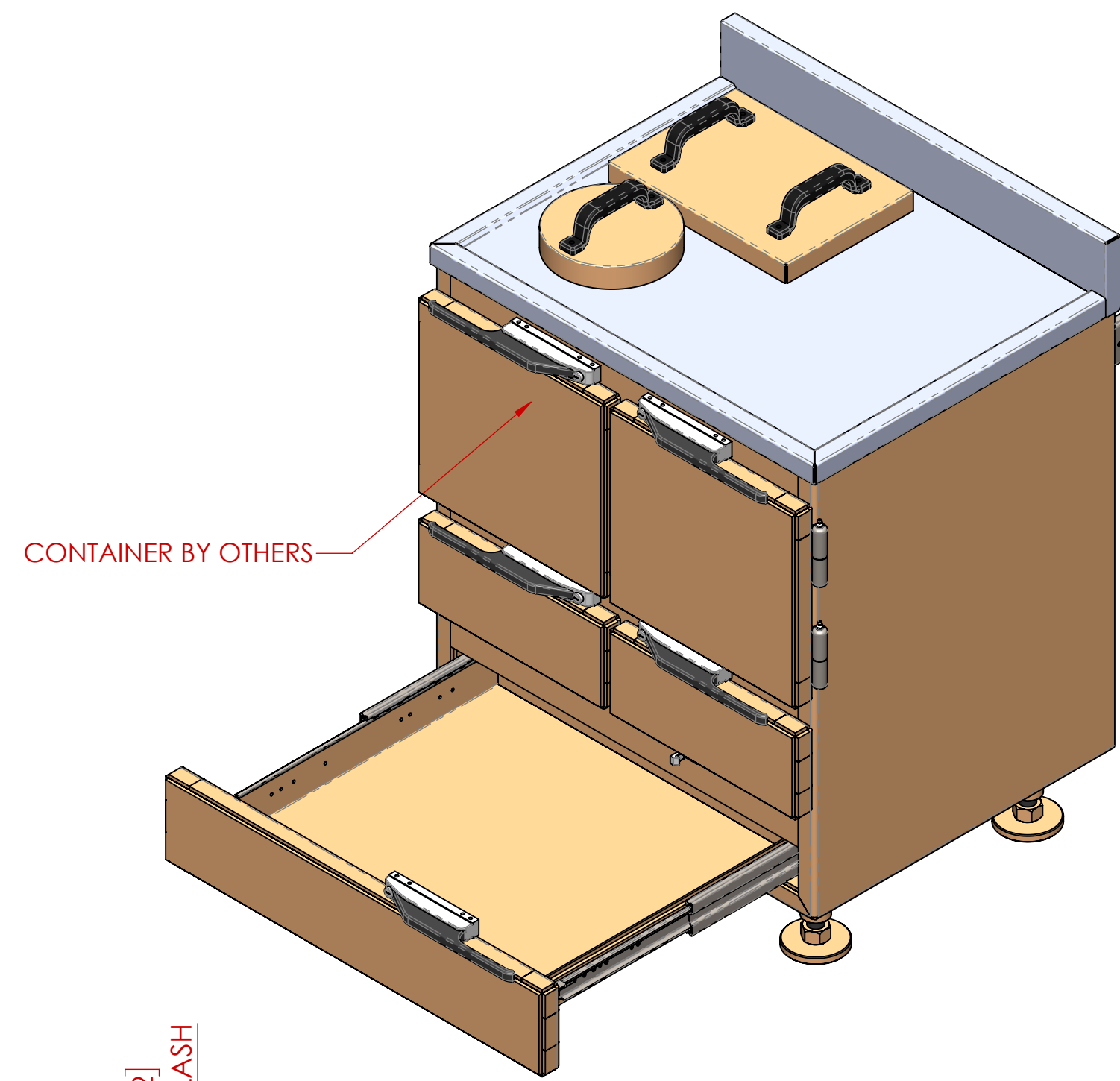
APPROVED AS SHOWN
 APPROVED WITH CHANGES SHOWN

BY: _____ DATE: _____

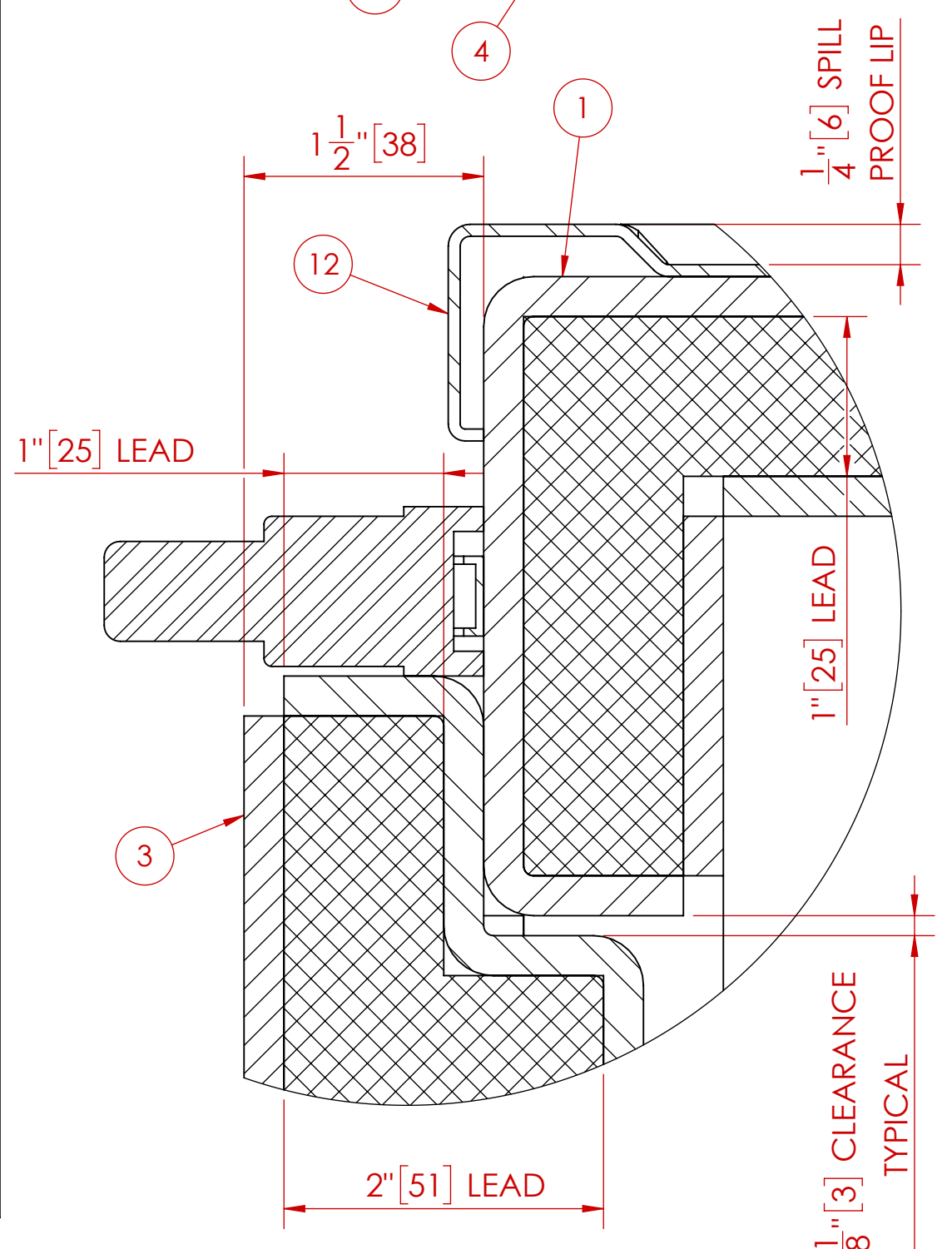
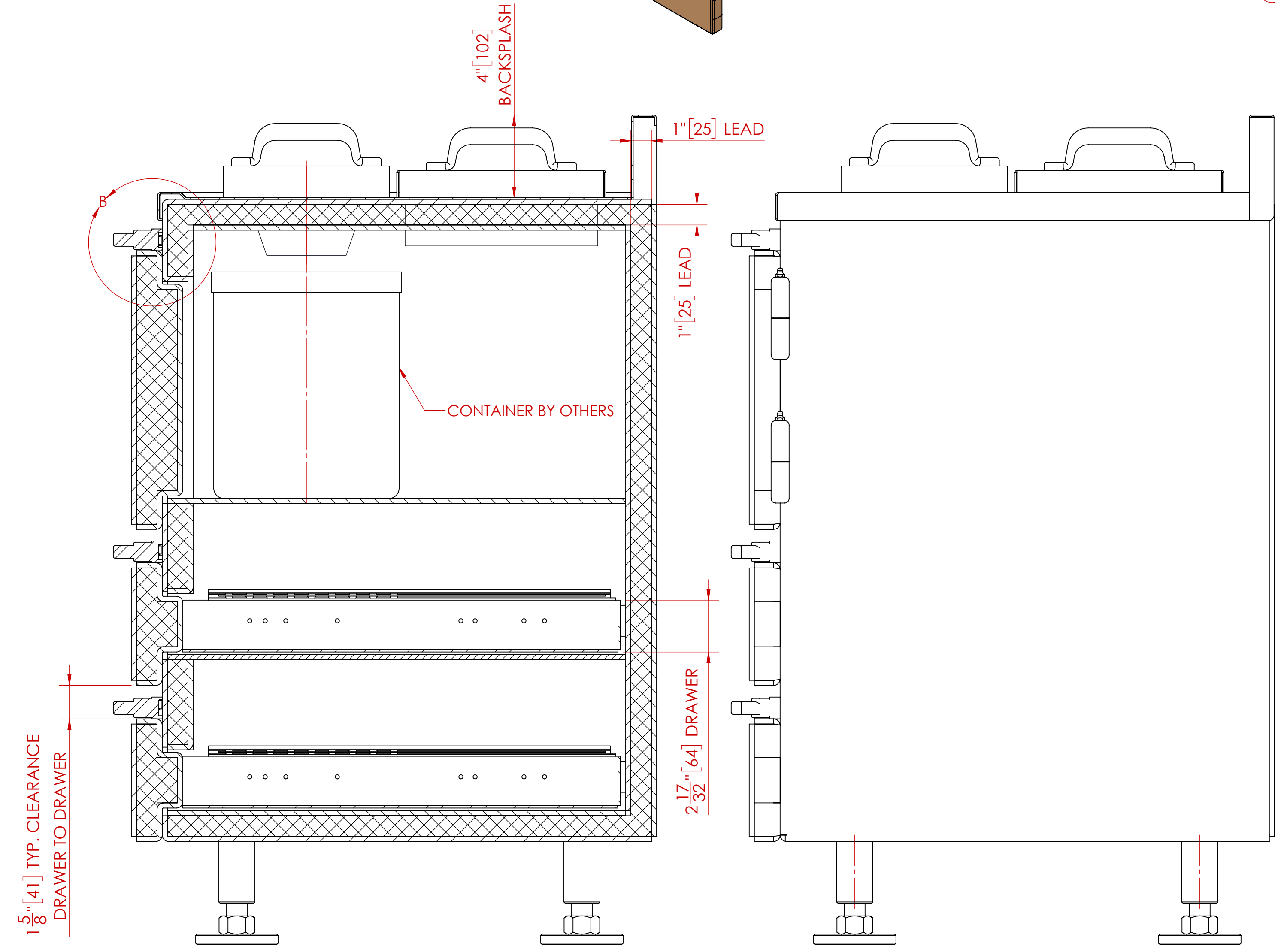
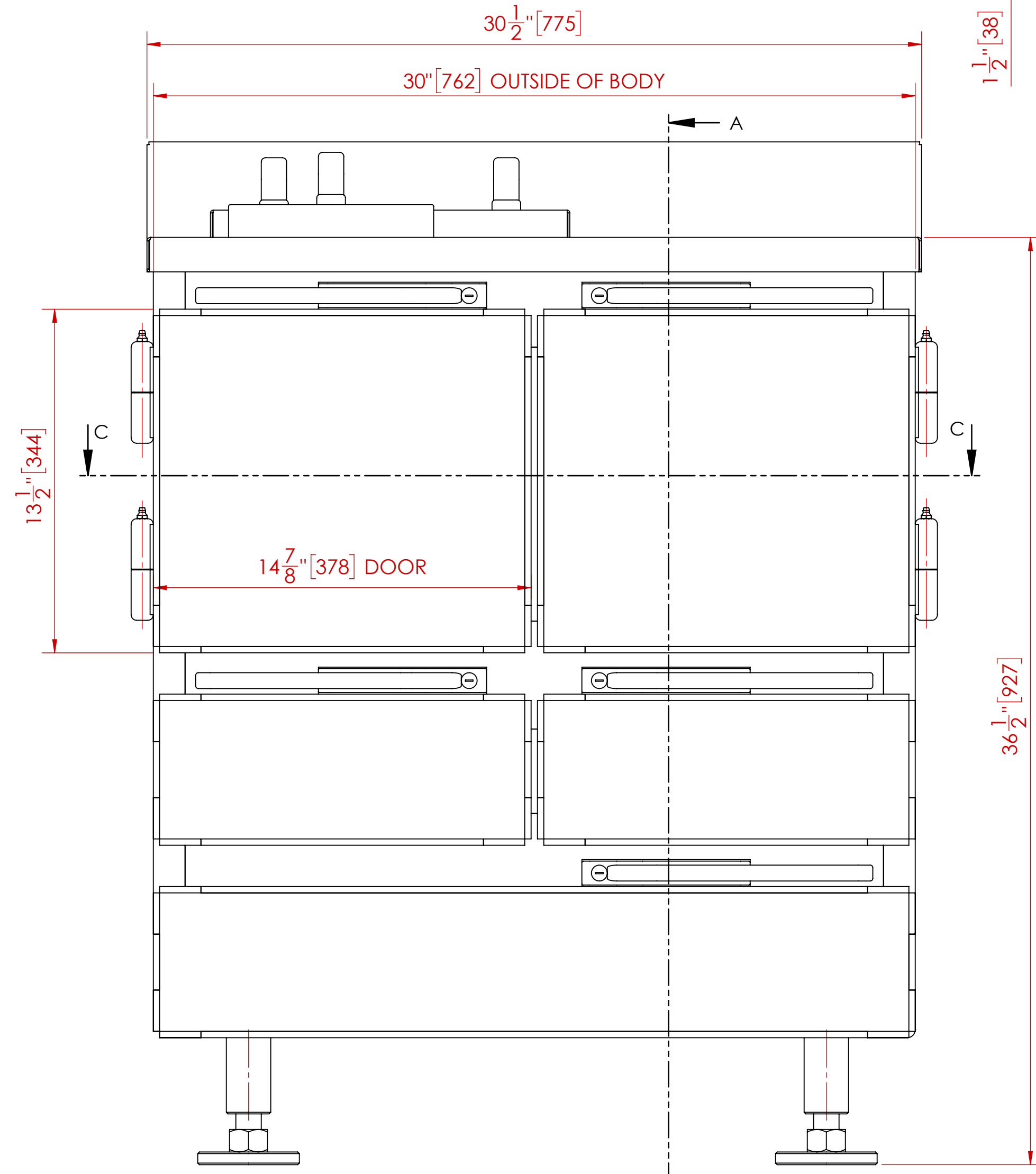
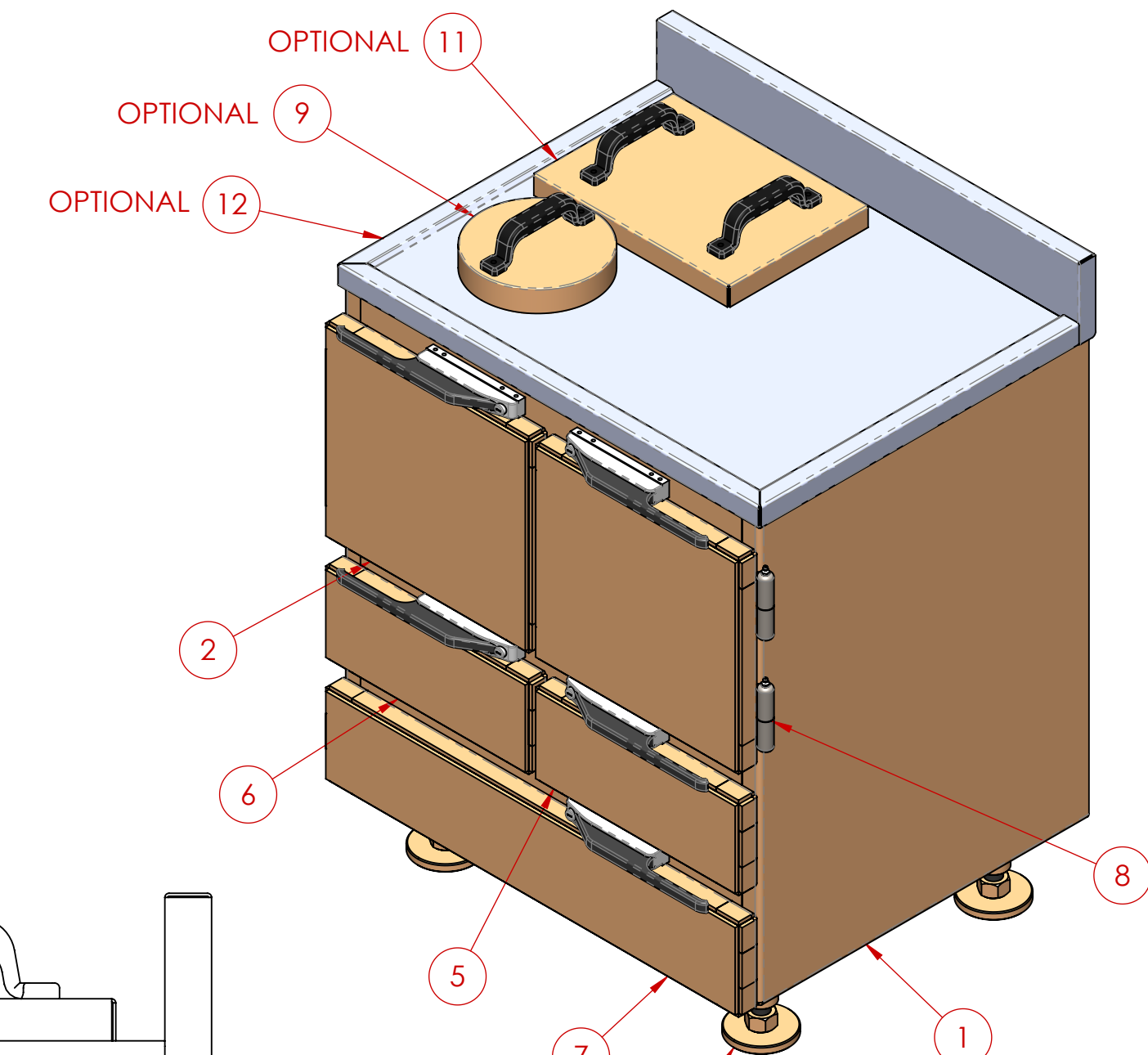
TITLE: _____

COMPANY: _____

COMMENTS: _____



ITEM NO.	QTY	PART NUMBER	DESCRIPTION
1	1	MS-UDC-1.0-01-00	BODY
2	1	MS-UDC-1.0-02-00	DOOR - LEFT HAND
3	1	MS-UDC-1.0-02-00	DOOR - RIGHT HAND
4	4	MS-DC-0.5-08-00	LEG
5	1	MS-UDC-1.0-03-00	DRAWER - RIGHT HAND
6	1	MS-UDC-1.0-03-00	DRAWER - LEFT HAND
7	1	MS-UDC-1.0-03-06	DRAWER
8	4	-----	4" HINGE C/W GREASE NIPPLE
9	1	-----	OPTIONAL SHARPS HOLE C/W LEAD FILLED COVER
11	1	-----	OPTIONAL SHARPS WELL C/W LEAD FILLED COVER
12	1	MS-10-01	OPTIONAL CABINET TOP



DETAIL B
SCALE 1 : 1

- NOTES:**
- ALL UNITS ARE INCHES [mm] UNLESS OTHERWISE SPECIFIED
 - ITEM 9 (CABINET TOP) IS OPTIONAL
 - ITEM 10 (SHARPS HOLE & COVER) IS OPTIONAL
 - ITEM 11 (SHARPS WELL & COVER) IS OPTIONAL

TOTAL LEAD WEIGHT	TOTAL CABINET WEIGHT (INCLUDING LEAD)
1,980 LBS. (900 kg)	2,940 LBS. (1,336 kg)

REV.	DESCRIPTION	DATE	APPROVED
B	HANDLE/LATCH STYLE CHANGED (WAS CURVED)	7/16/2019	M.S.D.
A	ADDED WEIGHTS TABLE	2/27/2013	M.S.D.

UNLESS OTHERWISE SPECIFIED

DO NOT SCALE DRAWING DIMENSIONS SHOWN PREFERABLE FOR REFERENCE ONLY (X.X) DIMENSIONS ARE IN INCHES [mm] TOLERANCES APPLY AS SHOWN BELOW
 X = ± 0.000
 XX = ± 0.005
 XXX = ± 0.010
 ANGLES ± 0.007°

ALL MACHINED SURFACES TO BE $\sqrt{10}$
 ALL WELD SPECIFICATIONS PER WELD SHOP

PROPRIETARY
 NO PART OF THIS DOCUMENT MAY BE REPRODUCED, STORED IN A RETRIEVAL SYSTEM, OR TRANSMITTED IN ANY FORM, WITHOUT THE WRITTEN PERMISSION OF MarShield - MGR Metal Company DIVISION OF Marshall Metal Industries Ltd.

SolidWorks MAINTAINED DATA CHANGES SHALL BE INCORPORATED ELECTRONICALLY BY THE DESIGN ACTIVITY

MODEL NUMBER: _____

TITLE: **UNIT DOSE CABINET ASSEMBLY**

CUSTOMER/DEALER: _____

DRAWN BY: M.S.D. DATE: 2/25/2013

CHECKED BY: _____ DATE: _____

APPROVED BY: _____ DATE: _____

SCALE: 1:4 WEIGHT: SHEET 1 OF 1

MarShield Custom Radiation Protection, Shielding and Storage

MS-UDC-1.0-30.5-24-36.5