

CUSTOMER APPROVAL ENDORSEMENT

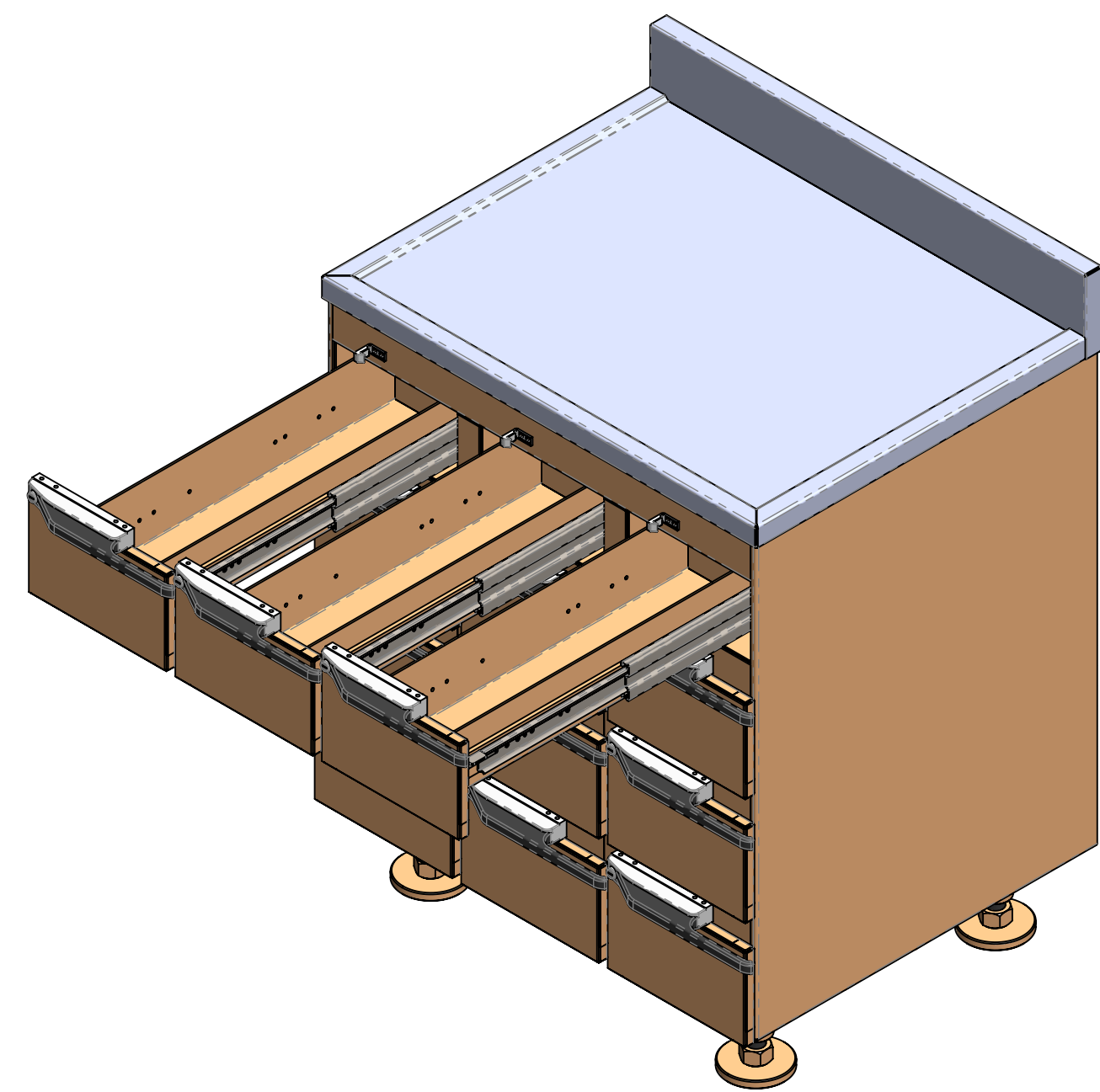
APPROVED AS SHOWN
 APPROVED WITH CHANGES SHOWN

BY: _____ DATE: _____

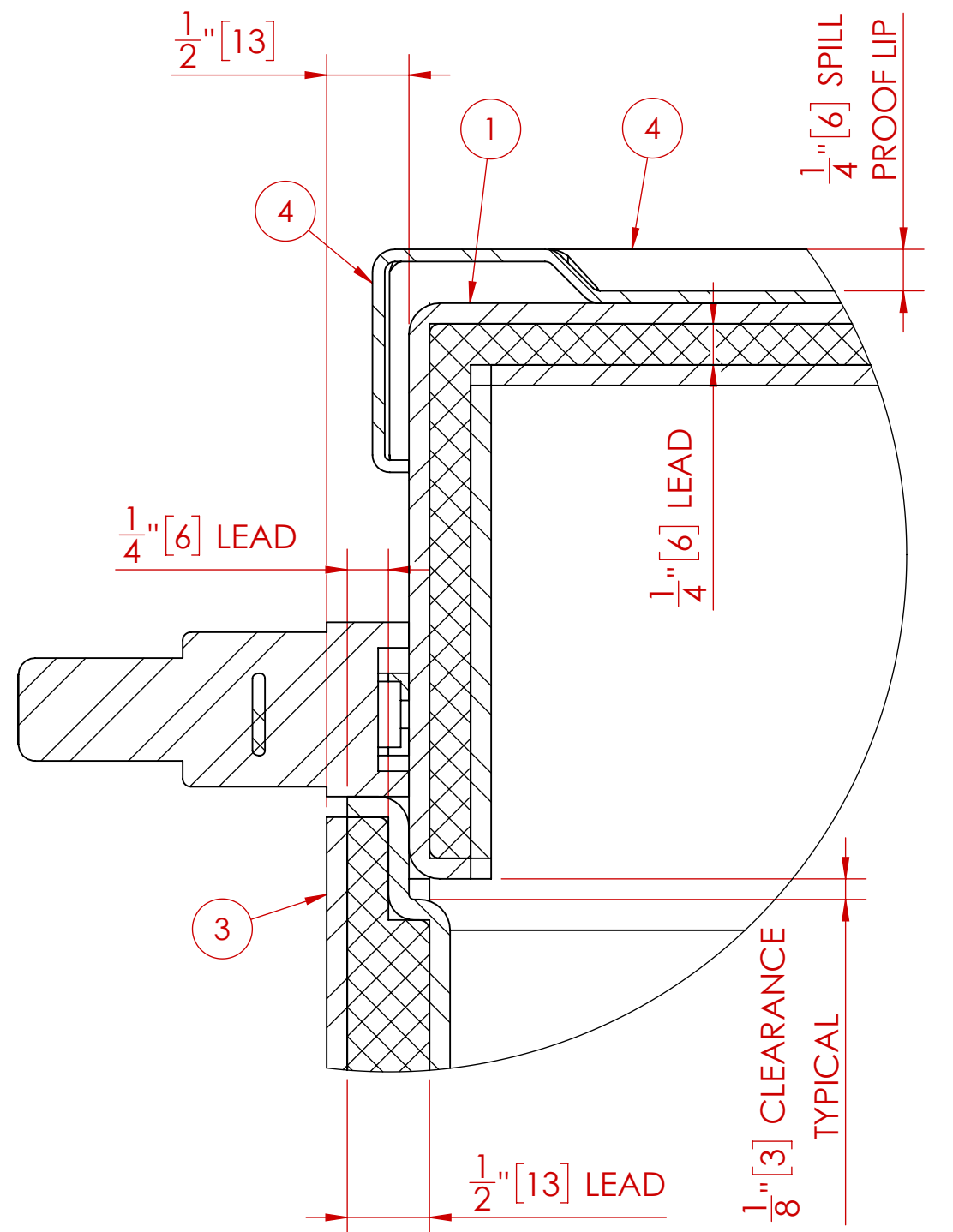
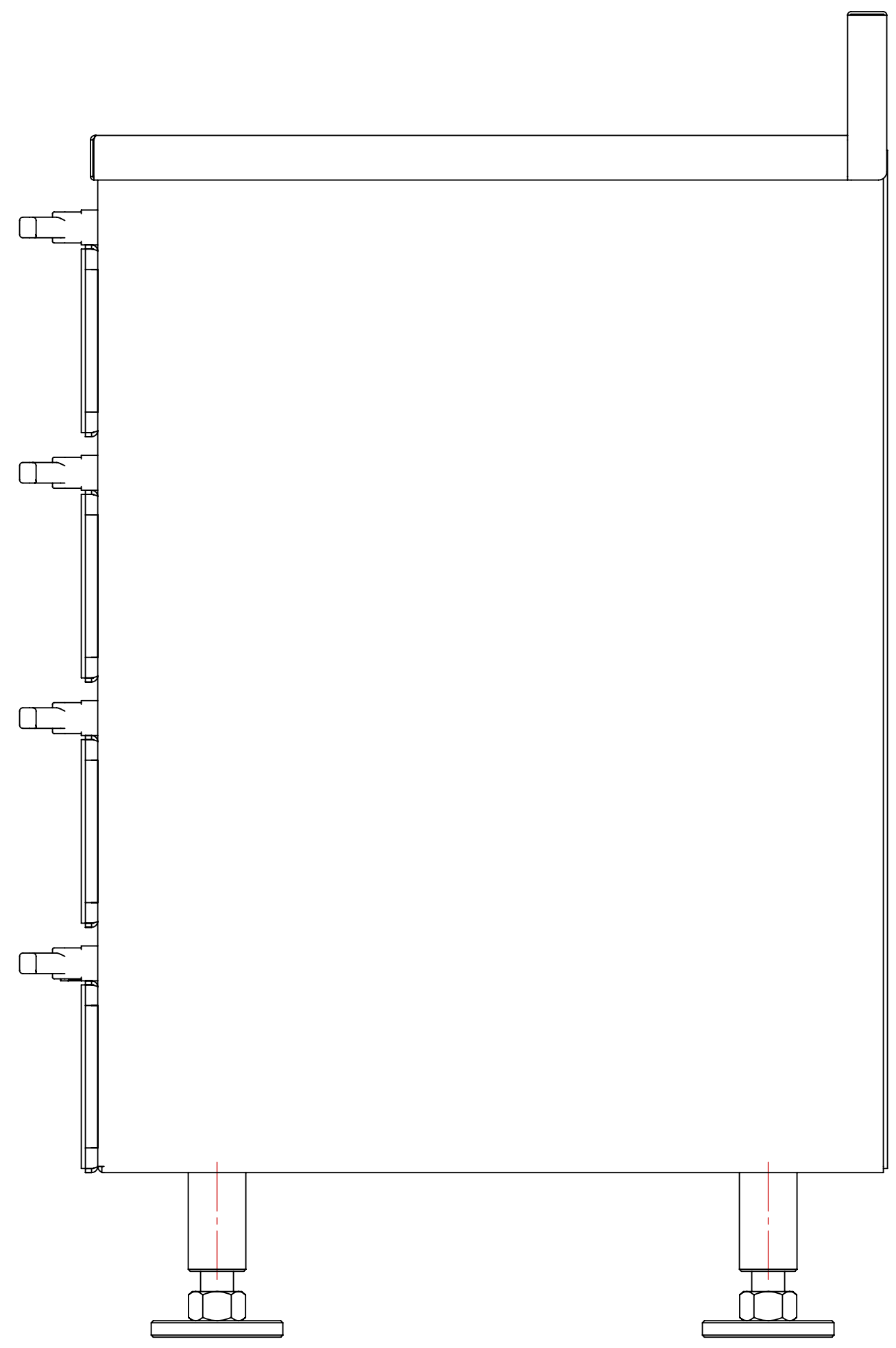
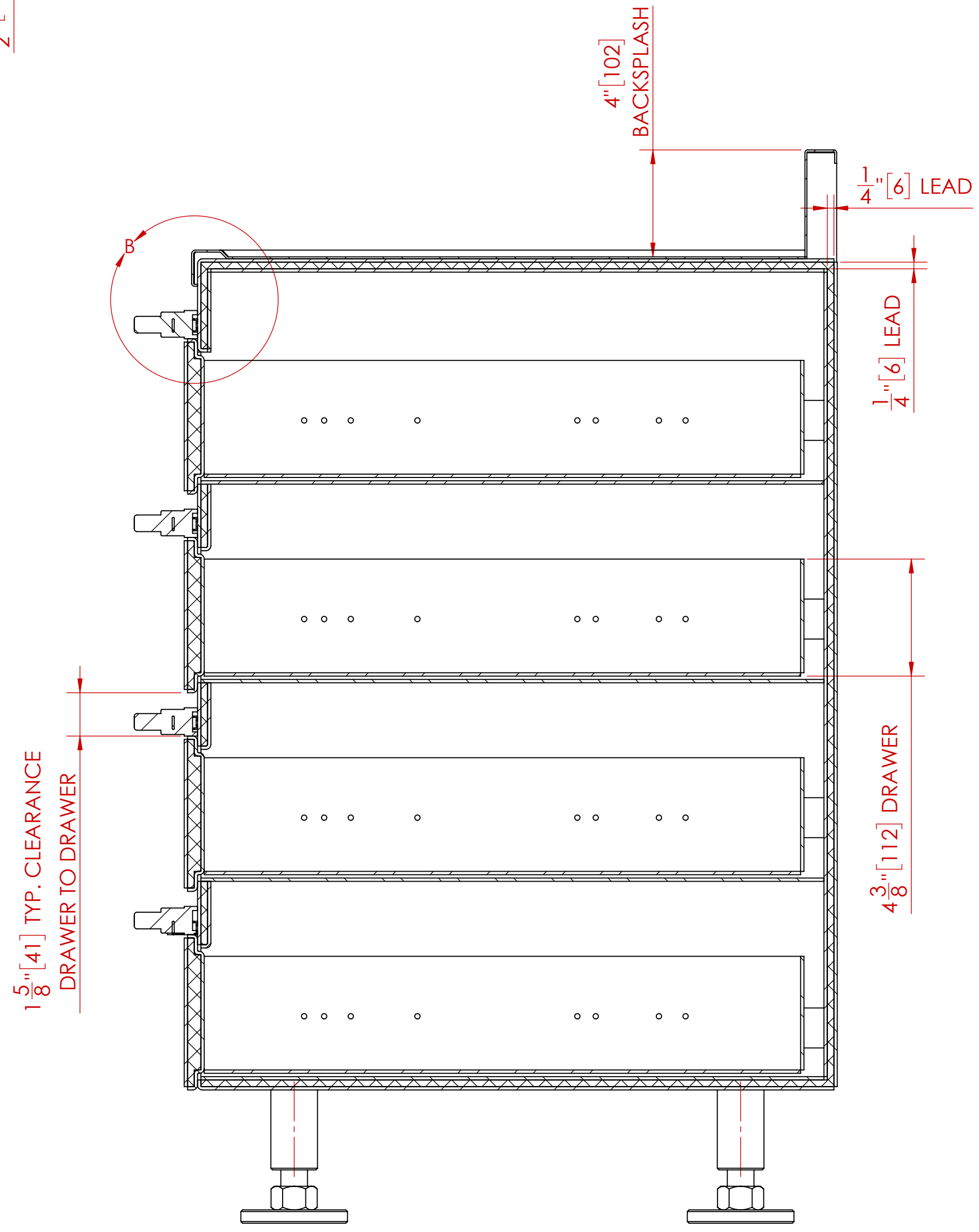
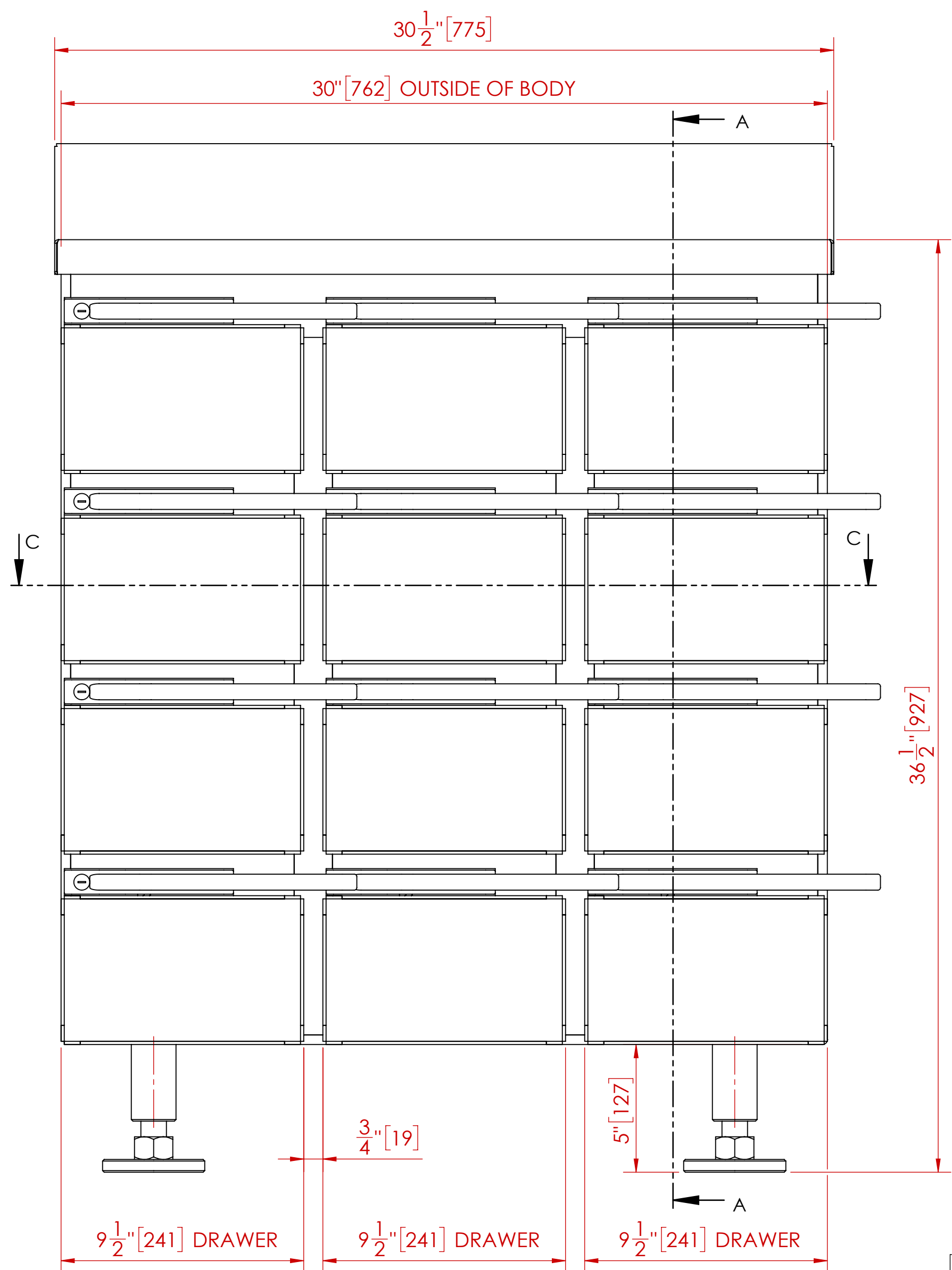
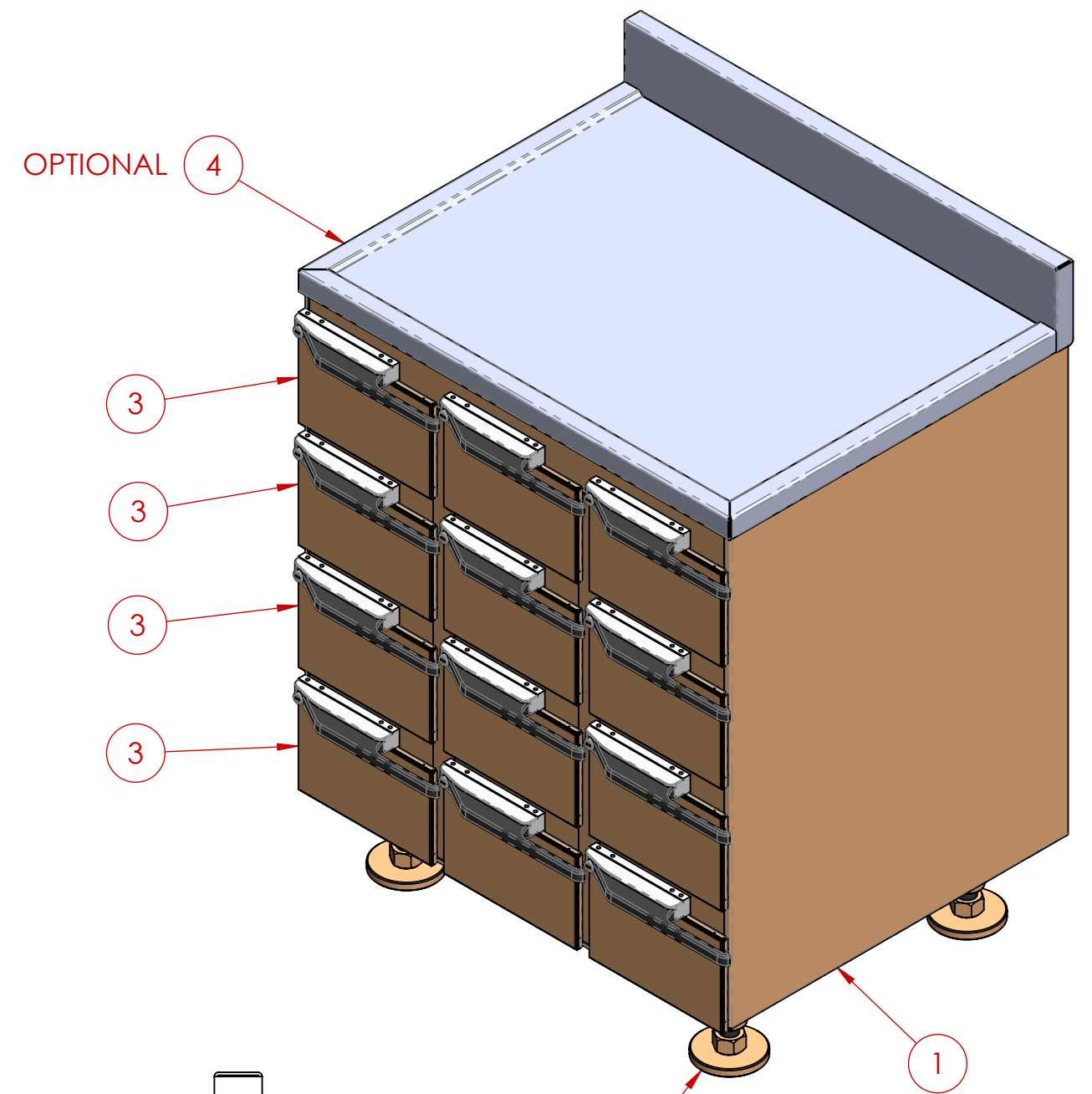
TITLE: _____

COMPANY: _____

COMMENTS: _____



ITEM NO.	QTY	PART NUMBER	DESCRIPTION
1	1	MS-RSC-0.25-01-00	BODY
2	4	MS-DC-0.5-08-00	LEG
3	12	MS-DSC-0.25-03-00	DRAWER
4	1	MS-10-01	OPTIONAL CABINET TOP



DETAIL B
SCALE 1:1

NOTES:
 1. ALL UNITS ARE INCHES [mm] UNLESS OTHERWISE SPECIFIED
 2. ITEM 4 (CABINET TOP) IS OPTIONAL

TOTAL LEAD WEIGHT	TOTAL CABINET WEIGHT (INCLUDING LEAD)
530 LBS. (241 kg)	1,645 LBS. (748 kg)

REV.	DESCRIPTION	DATE	APPROVED
B	HANDLE/LATCH STYLE CHANGED (WAS CURVED)	7/16/2019	M.S.D.
A	ADDED WEIGHTS TABLE	2/27/2013	M.S.D.

UNLESS OTHERWISE SPECIFIED

DO NOT SCALE DRAWING
 DIMENSIONS SHOWN IN PARENTHESES ARE FOR REFERENCE ONLY (XXX)
 DIMENSIONS ARE IN INCHES (mm)
 TOLERANCES APPLY AS SHOWN BELOW
 X = ± 0.005
 Y = ± 0.010
 Z = ± 0.005
 ANGLES = ± 0.007

ALL MACHINED SURFACES TO BE $\sqrt{10}$
 ALL WELD SPECIFICATIONS PER WELD SHOP

PROPRIETARY
 NO PART OF THIS DOCUMENT MAY BE REPRODUCED, STORED IN A RETRIEVAL SYSTEM, OR TRANSMITTED IN ANY FORM, WITHOUT THE WRITTEN PERMISSION OF MarShield - MGR Metall Company DIVISION OF Marshall Metal Industries Ltd.

SolidWorks MAINTAINED DATA
 CHANGES SHALL BE INCORPORATED ELECTRONICALLY BY THE DESIGN ACTIVITY
 MODEL NUMBER: _____

TITLE: RADIOISOTOPE STORAGE CABINET ASSEMBLY
 CUSTOMER/DEALER: _____

DRAWN BY: M.S.D. DATE: 2/13/2013
 CHECKED BY: _____ DATE: _____
 APPROVED BY: _____ DATE: _____

SCALE: 1:4 HEIGHT: 1 SHEET 1 OF 1

MarShield Custom Radiation Protection, Shielding and Storage

MS-RSC-0.25-30.5-24-36.5