

CUSTOMER APPROVAL ENDORSEMENT

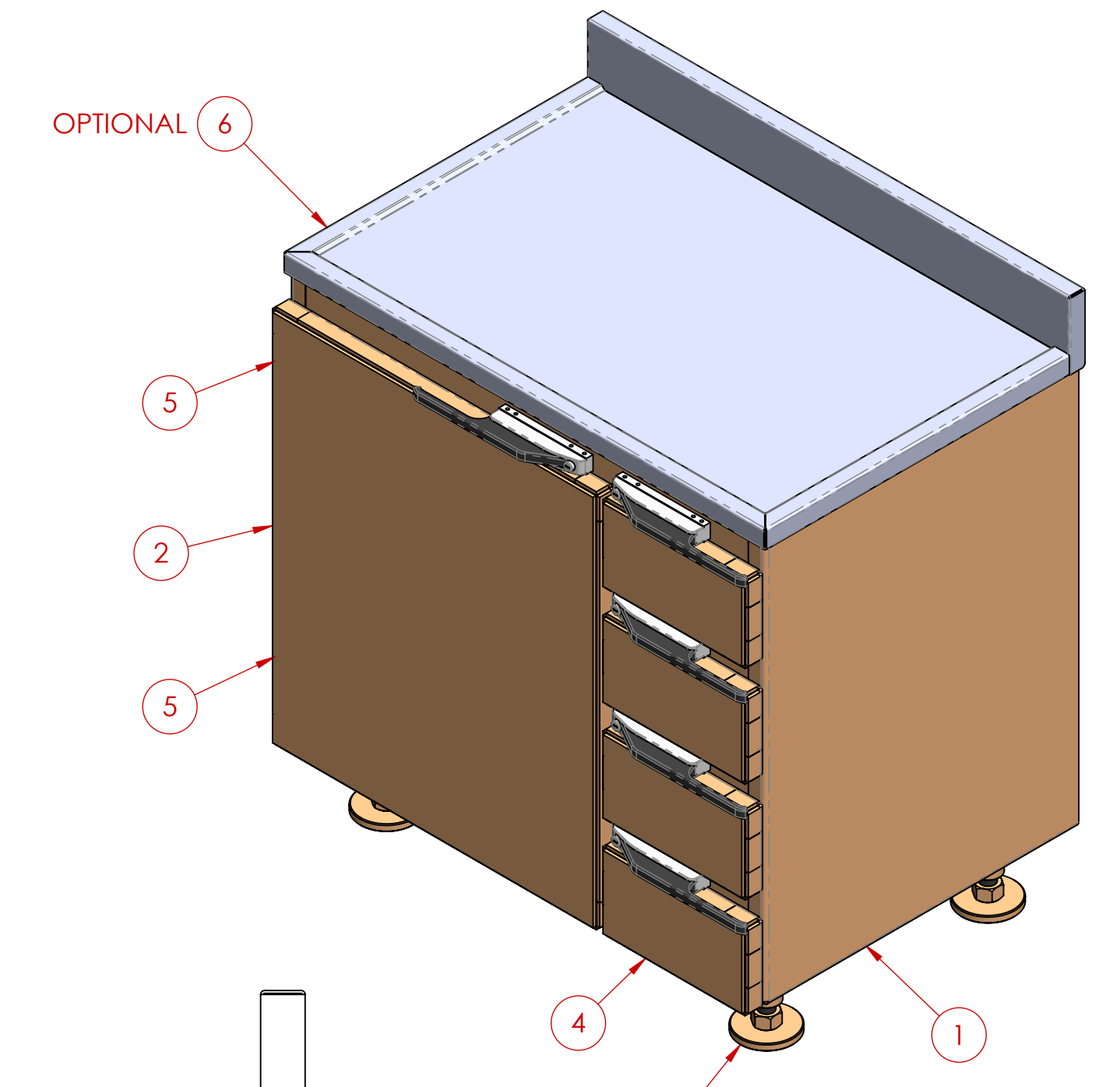
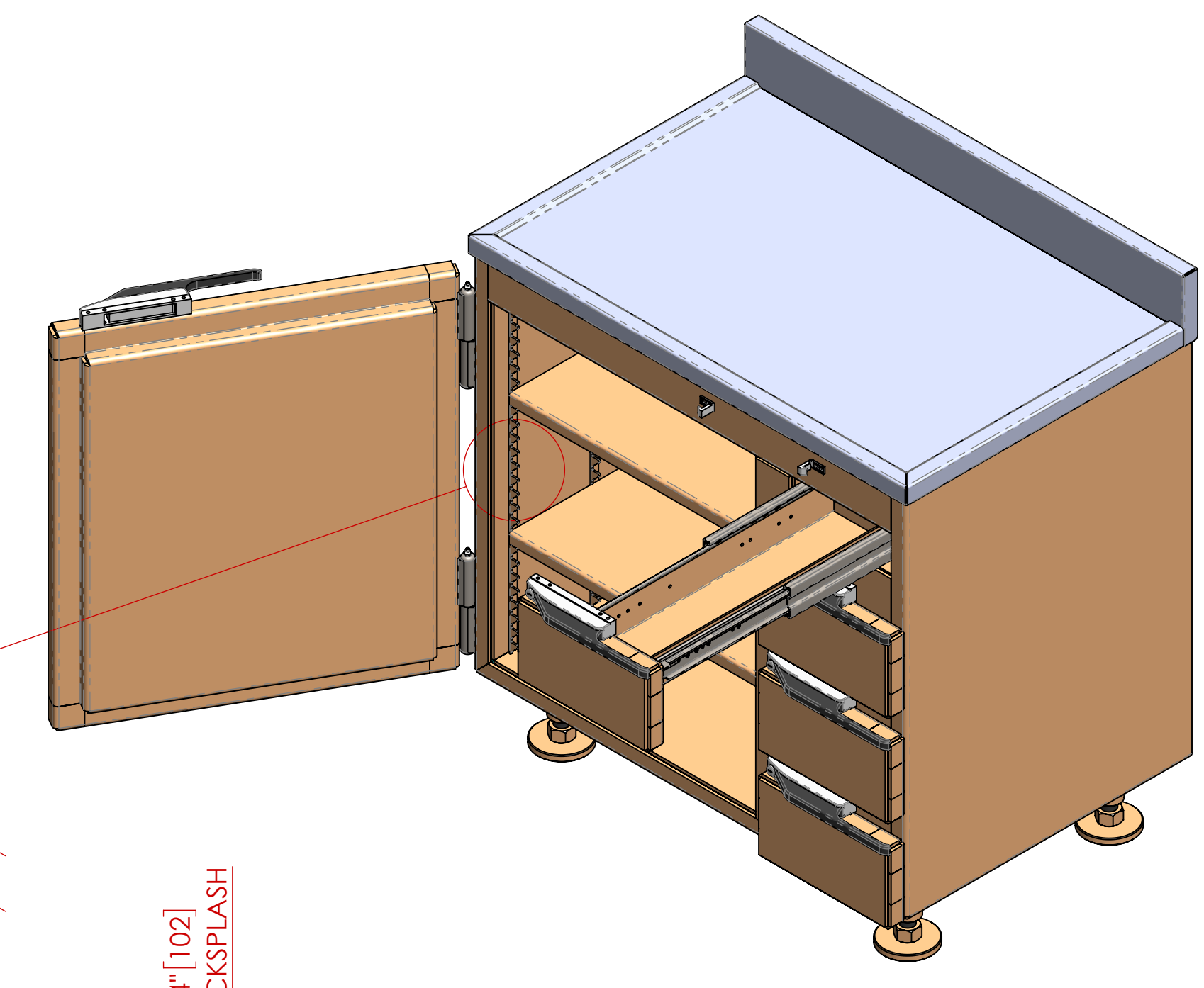
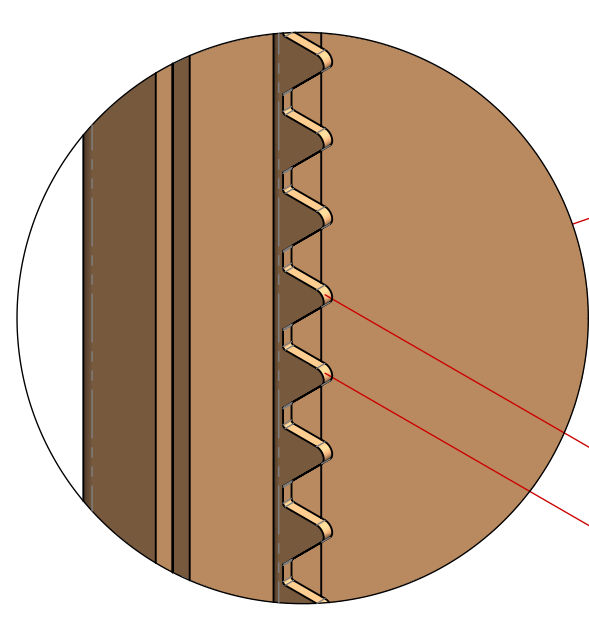
APPROVED AS SHOWN
 APPROVED WITH CHANGES SHOWN

BY: _____ DATE: _____

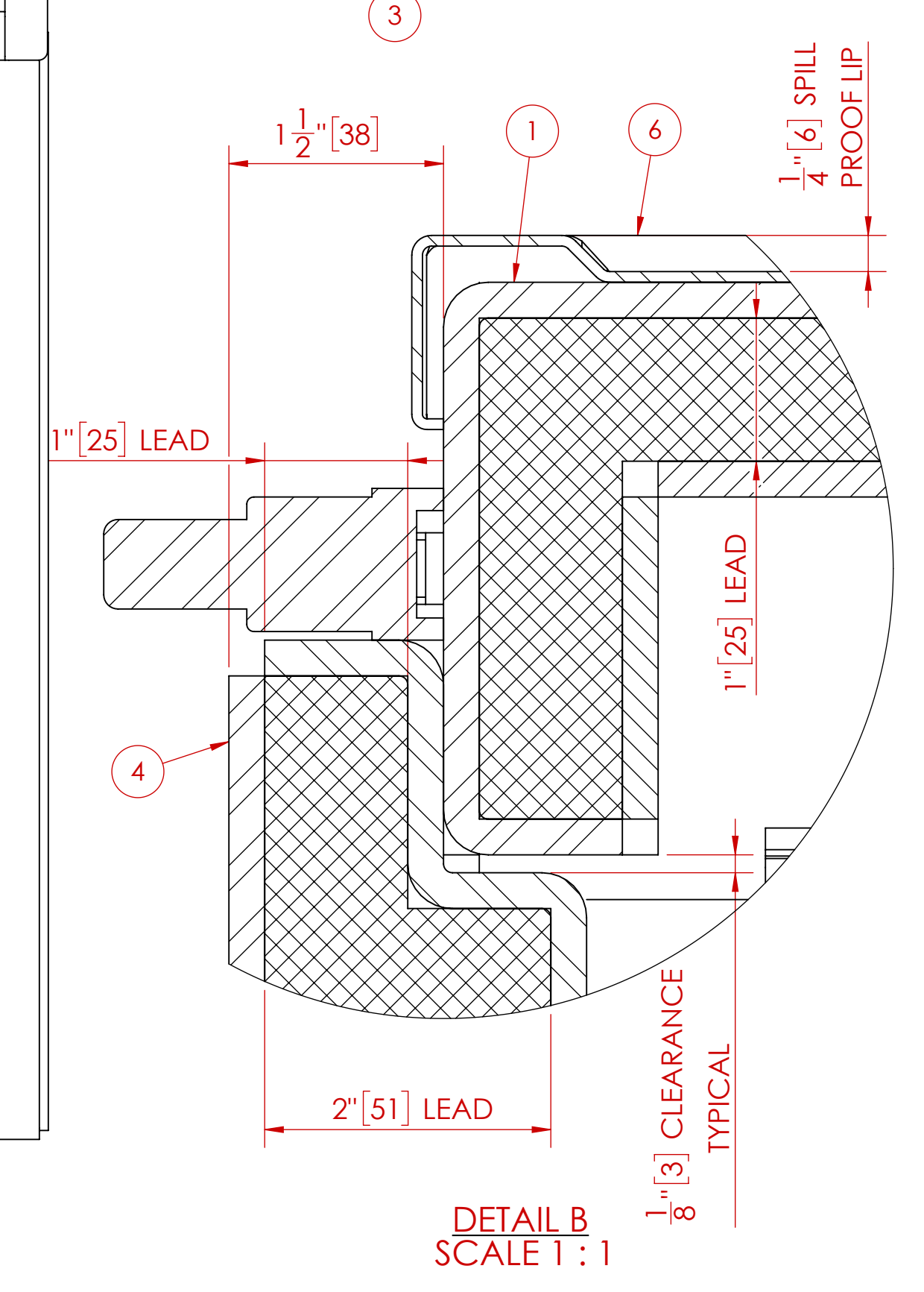
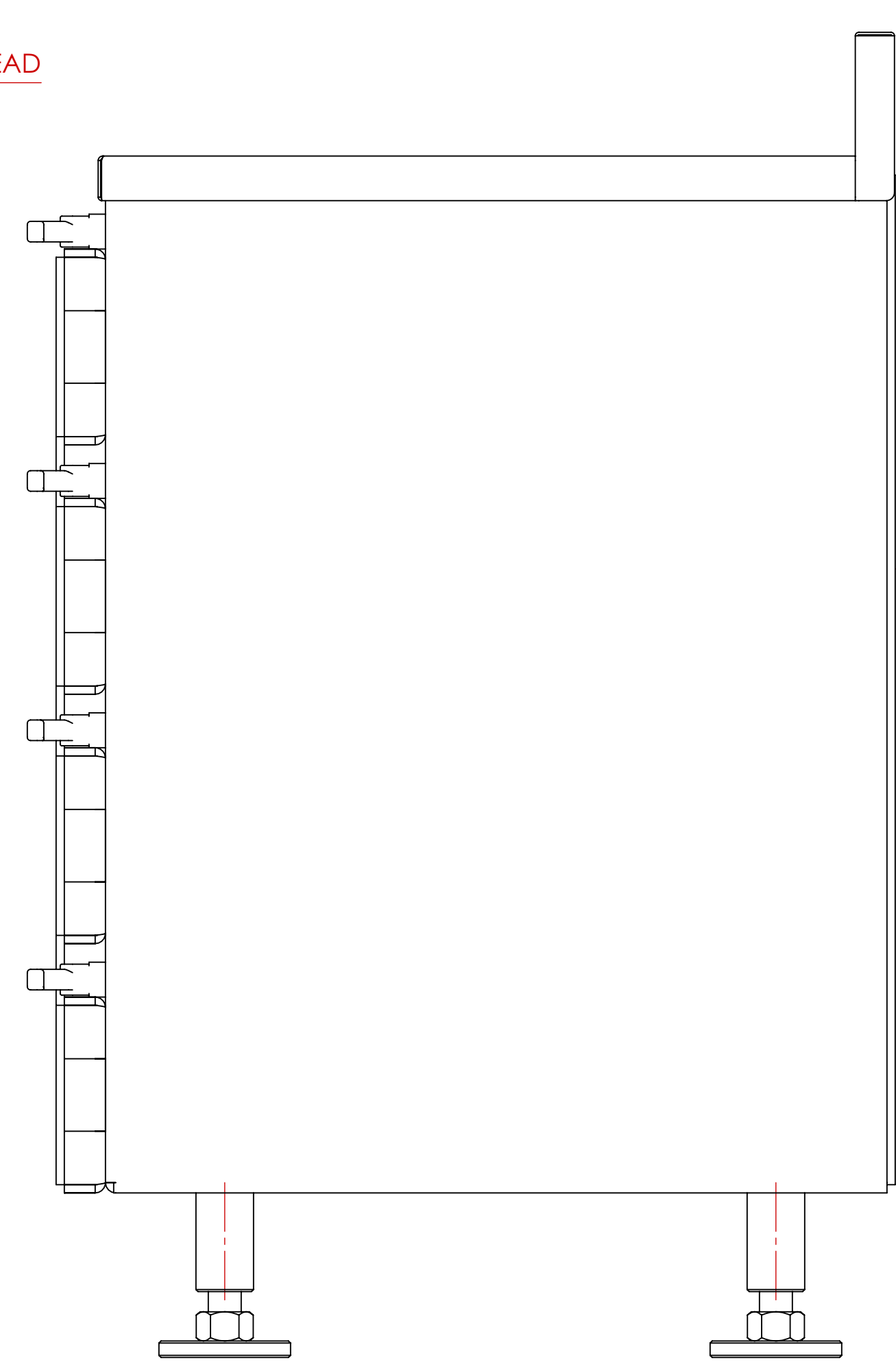
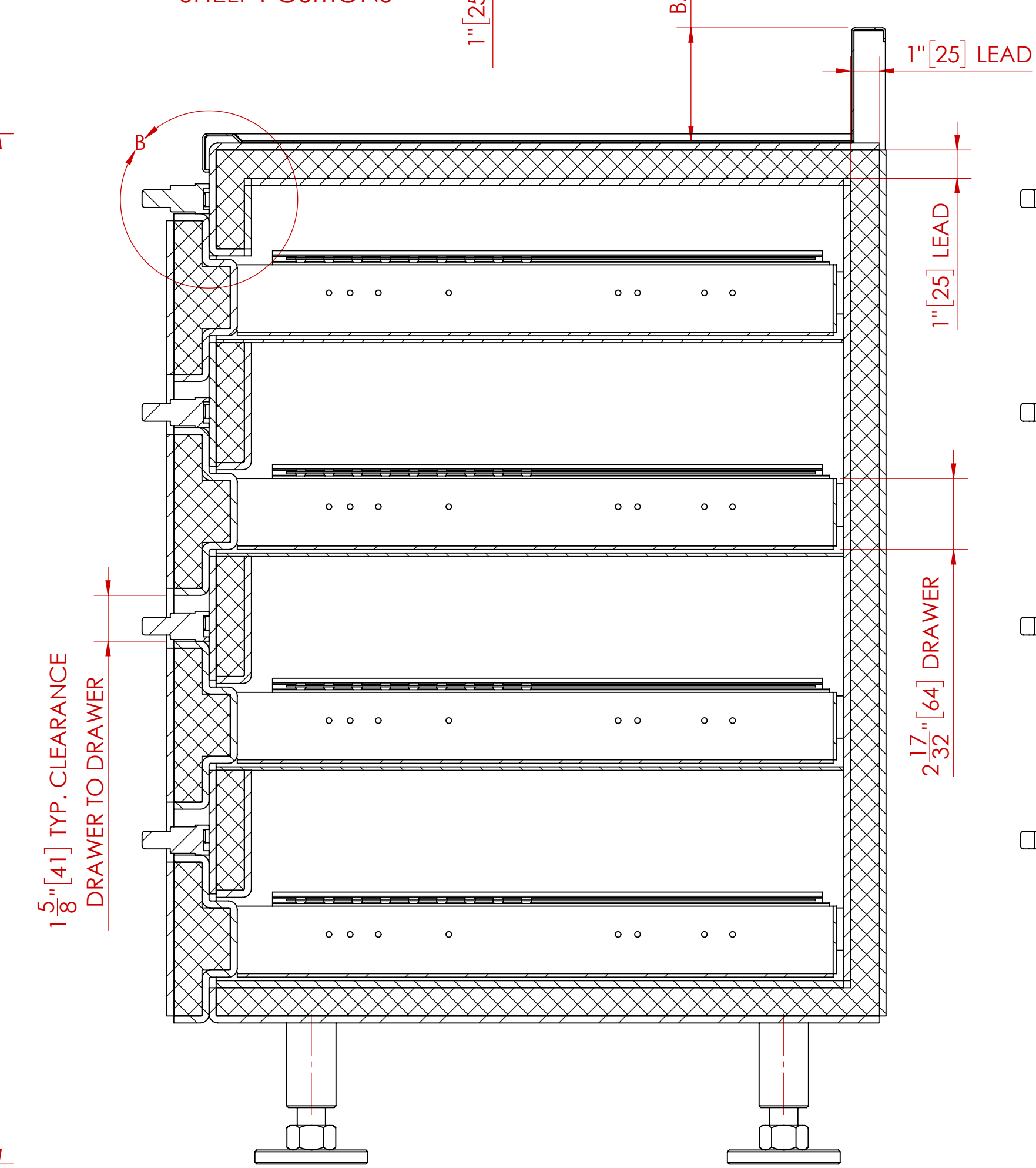
TITLE: _____

COMPANY: _____

COMMENTS: _____



ITEM NO.	QTY	PART NUMBER	DESCRIPTION
1	1	MS-DSC-1.0-01-00	BODY
2	1	MS-DSC-1.0-02-00	DOOR
3	4	MS-DC-0.5-08-00	LEG
4	4	MS-DSC-1.0-03-00	DRAWER
5	2	-----	7" HINGE C/W GREASE NIPPLE
6	1	MS-10-02	OPTIONAL CABINET TOP
7	2	MS-DSC-1.0-04-00	ADJUSTABLE SHELF



NOTES:
 1. ALL UNITS ARE INCHES [mm] UNLESS OTHERWISE SPECIFIED
 2. ITEM 6 (CABINET TOP) IS OPTIONAL

TOTAL LEAD WEIGHT	TOTAL CABINET WEIGHT (INCLUDING LEAD)
2,340 LBS. (1,064 kg)	3,450 LBS. (1,568 kg)

REV.	DESCRIPTION	DATE	APPROVED
C	HANDLE/LATCH STYLE CHANGED (WAS CURVED)	7/15/2019	M.S.D.
B	ADDED ITEM 7, SHELVES WERE FIXED	2/1/2014	M.S.D.
A	ADDED WEIGHTS TABLE	2/27/2013	M.S.D.

UNLESS OTHERWISE SPECIFIED

DO NOT SCALE DRAWING DIMENSIONS SHOWN PREFERABLY USE FOR REFERENCE ONLY (X.X) DIMENSIONS ARE IN INCHES (mm) TOLERANCES APPLY AS SHOWN BELOW
 X = ± 0.005
 XX = ± 0.010
 XXX = ± 0.030
 ANGLES ± 0.50°

ALL MACHINED SURFACES TO BE $\sqrt{16}$
 ALL WELD SPECIFICATIONS PER WELD SHOP

PROPRIETARY
 NO PART OF THIS DOCUMENT MAY BE REPRODUCED, STORED IN A RETRIEVAL SYSTEM, OR TRANSMITTED IN ANY FORM, WITHOUT THE WRITTEN PERMISSION OF MarShield - MGR Metall Company DIVISION OF Marshall Metal Industries Ltd.

SolidWorks MAINTAINED DATA CHANGES SHALL BE INCORPORATED ELECTRONICALLY BY THE DESIGN ACTIVITY

MODEL NUMBER: _____

TITLE: **DECAY AND STORAGE CABINET ASSEMBLY**

CUSTOMER/DEALER: _____

DRAWN BY: M.S.D. DATE: 2/18/2013

CHECKED BY: _____ DATE: _____

APPROVED: _____ DATE: _____

SCALE: 1:4 HEIGHT: 1

MarShield Custom Radiation Protection, Shielding and Storage

MS-DSC-1.0-36.5-24-36.5

SHEET 1 OF 1