

**CUSTOMER APPROVAL ENDORSEMENT**

APPROVED AS SHOWN  
 APPROVED WITH CHANGES SHOWN

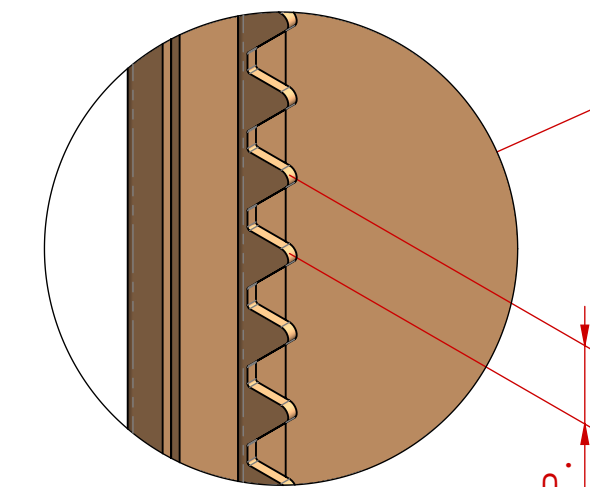
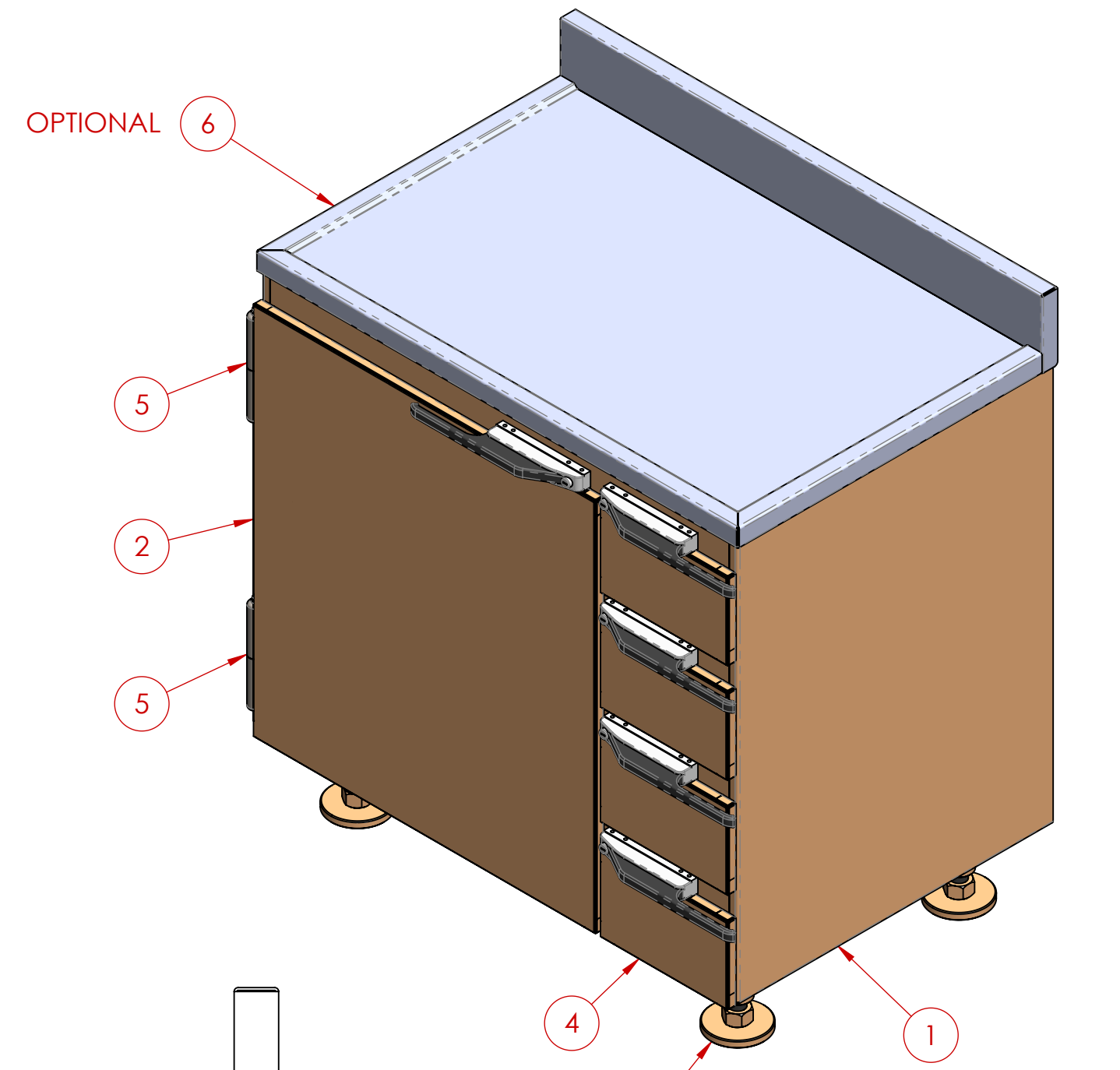
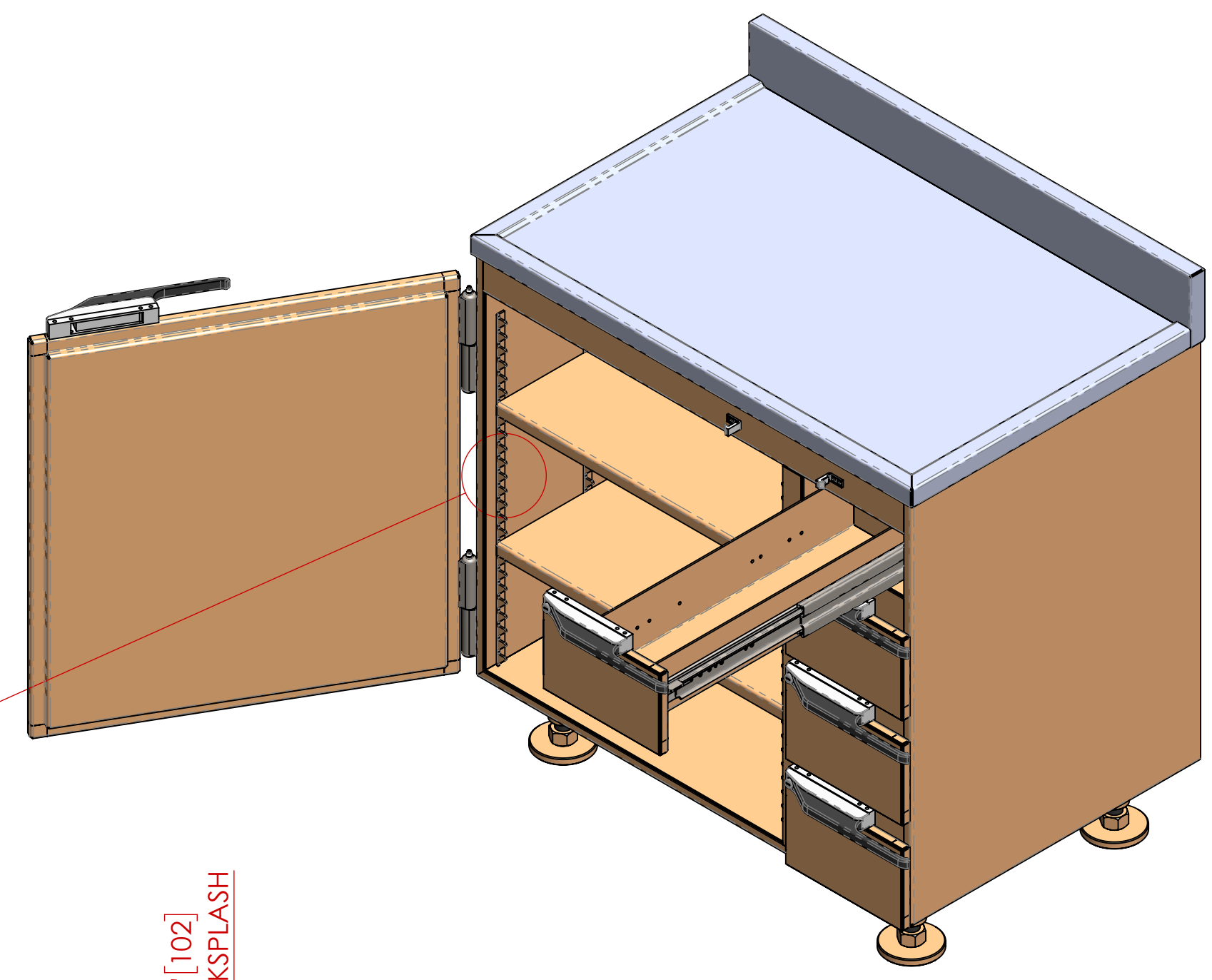
BY: \_\_\_\_\_ DATE: \_\_\_\_\_

TITLE: \_\_\_\_\_

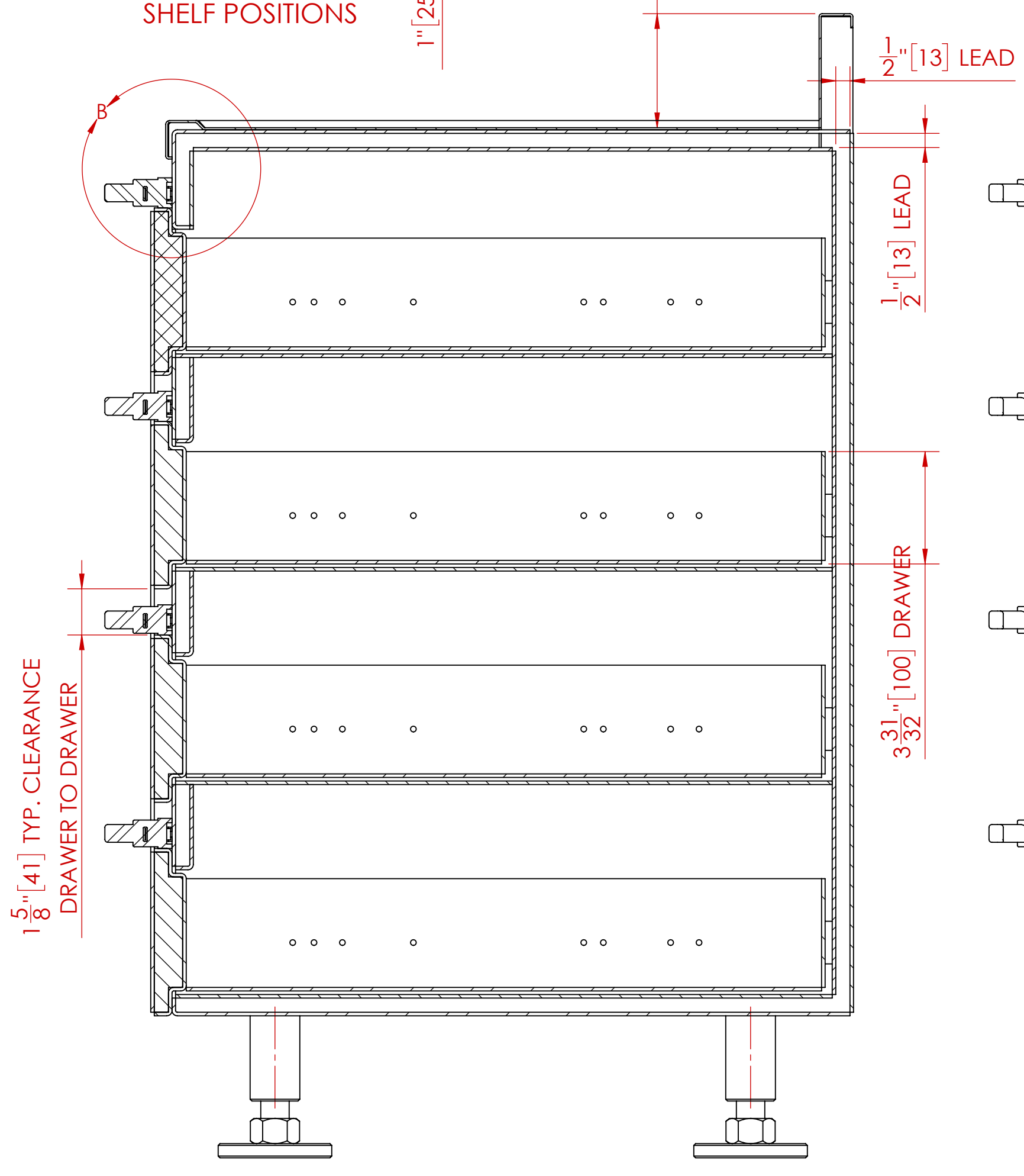
COMPANY: \_\_\_\_\_

COMMENTS: \_\_\_\_\_

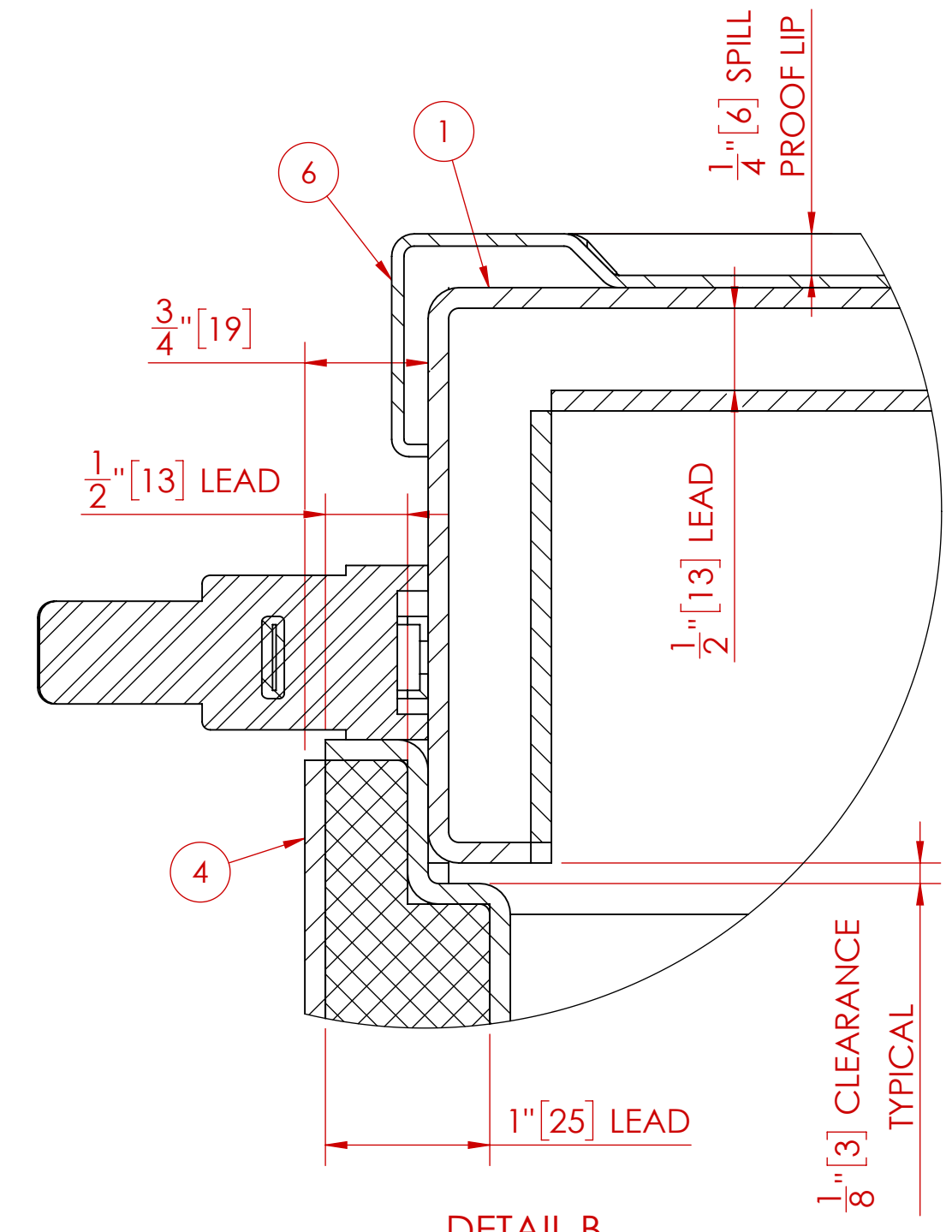
ITEM NO.	QTY	PART NUMBER	DESCRIPTION
1	1	MS-DSC-0.5-01-00	BODY
2	1	MS-DSC-0.5-02-00	DOOR
3	4	MS-DC-0.5-08-00	LEG
4	4	MS-DSC-0.5-03-00	DRAWER
5	2	-----	7" HINGE C/W GREASE NIPPLE
6	1	MS-10-02	OPTIONAL CABINET TOP
7	2	MS-DSC-0.5-04-00	ADJUSTABLE SHELF



INCREMENTED SHELF POSITIONS  
1" [25] TYP.



SECTION A-A



DETAIL B  
SCALE 1:1

**NOTES:**  
 1. ALL UNITS ARE INCHES [mm] UNLESS OTHERWISE SPECIFIED  
 2. ITEM 6 (CABINET TOP) IS OPTIONAL

TOTAL LEAD WEIGHT	TOTAL CABINET WEIGHT (INCLUDING LEAD)
1,240 LBS. (564 kg)	1,965 LBS. (893 kg)

REV.	DESCRIPTION	DATE	APPROVED
D	HANDLE/LAUNCH STYLE CHANGED (WAS CURVED)	7/15/2019	M.S.D.
C	ADDED ITEM 7, SHELVES WERE FIXED	2/11/2014	M.S.D.
B	ADDED WEIGHTS TABLE	2/27/2013	M.S.D.
A	RELEASED FOR CUSTOMER REVIEW & APPROVAL	1/17/2013	M.S.D.

UNLESS OTHERWISE SPECIFIED

DO NOT SCALE DRAWING  
DIMENSIONS SHOWN  
PREFERREDS ARE FOR  
REFERENCE ONLY (XX)  
DIMENSIONS ARE IN INCHES (mm)  
TOLERANCES APPLY AS SHOWN BELOW  
X = ±0.001  
XX = ±0.002  
XXX = ±0.005  
ANGLES ±0.5°

ALL MACHINED SURFACES TO BE  $\sqrt{10}$   
ALL WELD SPECIFICATIONS PER WELD SHOP

SolidWorks MAINTAINED DATA CHANGES SHALL BE INCORPORATED ELECTRONICALLY BY THE DESIGN ACTIVITY

Model Number: \_\_\_\_\_

Customer/Dealer: \_\_\_\_\_

PROPRIETARY  
NO PART OF THIS DOCUMENT MAY BE REPRODUCED, STORED IN A RETRIEVAL SYSTEM, OR TRANSMITTED IN ANY FORM, WITHOUT THE WRITTEN PERMISSION OF MarShield - MGR Metal Company DIVISION OF MarShield Metal Industries Ltd.

Drawn by: M.S.D. Date: 12/18/2012  
 Checked by: \_\_\_\_\_ Date: \_\_\_\_\_  
 Approved by: \_\_\_\_\_ Date: \_\_\_\_\_

Scale: 1:4 Weight: 1 SHEET 1 OF 1

**MarShield** Custom Radiation Protection, Shielding and Storage  
**DECAY AND STORAGE CABINET ASSEMBLY**  
**MS-DSC-0.5-36.5-24-36.5**