

SAF-T-LITE
SAFETY LEAD GLASS
1/16" (1.6 mm) LEAD EQUIVALENT
72" WIDE X 36" HIGH

SOLID PANEL
1/16" (1.6 mm) LEAD LINED
LEADED PLYWOOD
ENCAPSULATED BETWEEN
ABS PLASTIC PANELS BOTH SIDES

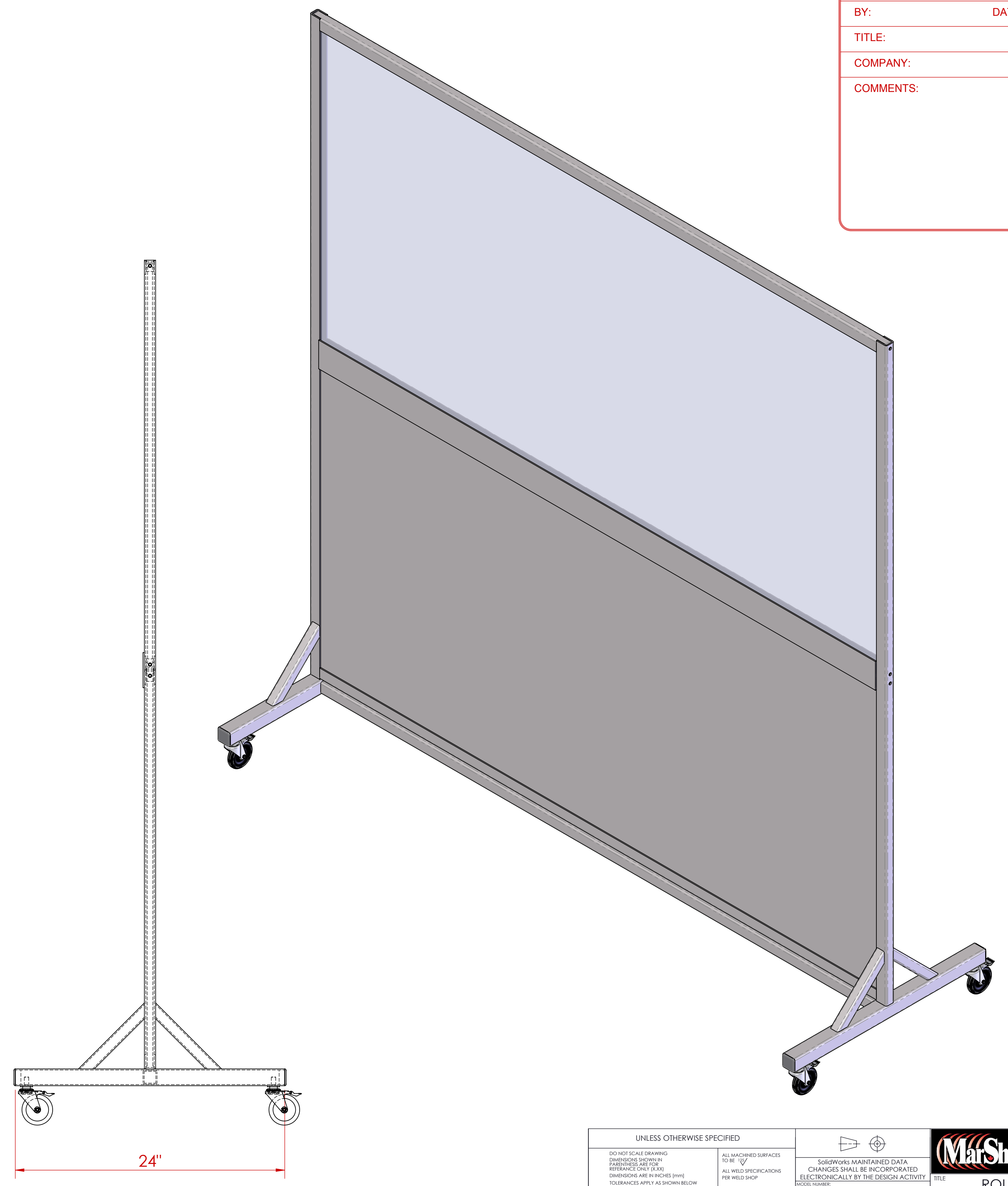
77" OVERALL HEIGHT (INCLUDING WHEELS)

72 5/8"

36 1/2"

35 1/2"

5"



24"

CUSTOMER APPROVAL ENDORSEMENT

APPROVED AS SHOWN

APPROVED WITH CHANGES SHOWN

BY: _____ DATE: _____

TITLE: _____

COMPANY: _____

COMMENTS: _____

NOTES:

1. ALL UNITS ARE INCHES (mm) UNLESS OTHERWISE SPECIFIED
2. DIMENSIONAL TOLERANCES: +/- 1/4"
3. GLASS INSTALLED ON SITE BY END USER - GLASS SHIPPED SEPARATELY

<small>UNLESS OTHERWISE SPECIFIED</small> DO NOT SCALE DRAWING DIMENSIONS SHOWN IN PARENTHESES ARE FOR REFERENCE ONLY (XXX) DIMENSIONS ARE IN INCHES (mm) TOLERANCES APPLY AS SHOWN BELOW X = ± 0.001 XX = ± 0.002 XXX = ± 0.005 ANGLES ± 0.004°	<small>ALL MACHINED SURFACES TO BE 12.5</small> <small>ALL WELD SPECIFICATIONS PER WELD SHOP</small>	<small>SolidWorks MAINTAINED DATA CHANGES SHALL BE INCORPORATED ELECTRONICALLY BY THE DESIGN ACTIVITY</small>	MarShield Custom Radiation Protection, Shielding and Storage
<small>PROPRIETARY</small> <small>NO PART OF THIS DOCUMENT MAY BE REPRODUCED, STORED IN A RETRIEVAL SYSTEM, OR TRANSMITTED IN ANY FORM, WITHOUT THE WRITTEN PERMISSION OF MarShield - MGR Metal Company DIVISION OF Maxwell Metal Industries Ltd.</small>			<small>CUSTOMER/DEALER:</small> D MSRB 723636-1.6 Rev.4-19
<small>SCALE:</small> 1:6			<small>SHEET:</small> 1 OF 1