

CUSTOMER APPROVAL ENDORSEMENT

APPROVED AS SHOWN

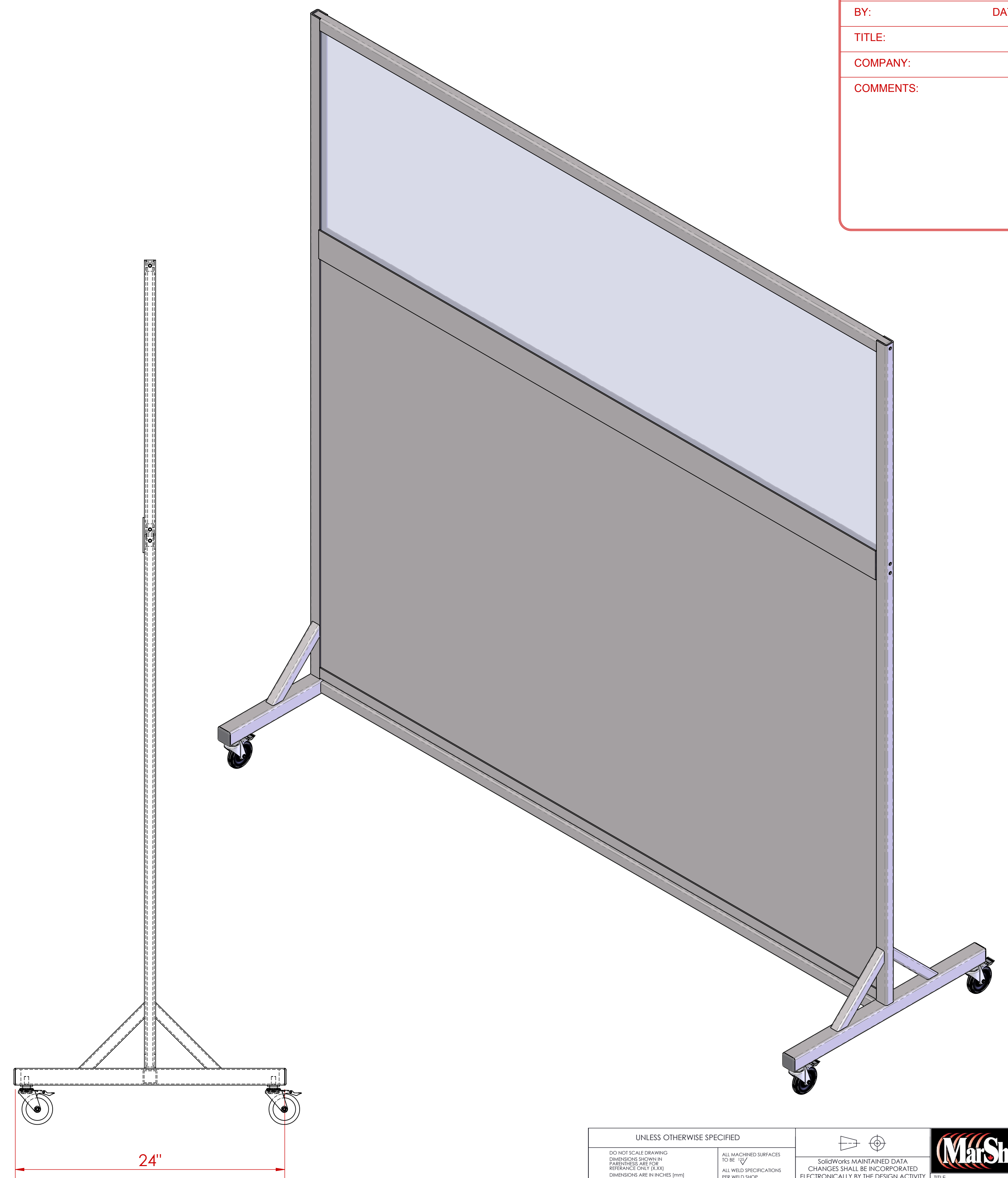
APPROVED WITH CHANGES SHOWN

BY: _____ DATE: _____

TITLE: _____

COMPANY: _____

COMMENTS: _____



- NOTES:**
- ALL UNITS ARE INCHES (mm) UNLESS OTHERWISE SPECIFIED
 - DIMENSIONAL TOLERANCES: +/- 1/4"
 - GLASS INSTALLED ON SITE BY END USER - GLASS SHIPPED SEPARATELY

UNLESS OTHERWISE SPECIFIED		SolidWorks MAINTAINED DATA CHANGES SHALL BE INCORPORATED ELECTRONICALLY BY THE DESIGN ACTIVITY		MarShield Custom Radiation Protection, Shielding and Storage
<small>DO NOT SCALE DRAWING DIMENSIONS SHOWN PREFERRENTIAL ARE FOR REFERENCE ONLY (XXX) DIMENSIONS ARE IN INCHES (mm) TOLERANCES APPLY AS SHOWN BELOW X = ± 0.001 XX = ± 0.002 XXX = ± 0.005 ANGLES ± 0.004°</small>	<small>ALL MACHINED SURFACES TO BE 12.5 ALL WELD SPECIFICATIONS PER WELD SHOP</small>	<small>Model Number:</small> <small>Customer/Dealer:</small>	<small>Drawn by:</small> M.S.D. <small>Date:</small> 6/15/2018 <small>Checked by:</small> _____ <small>Date:</small> _____ <small>Approved:</small> _____ <small>Date:</small> _____	