

CUSTOMER APPROVAL ENDORSEMENT

APPROVED AS SHOWN

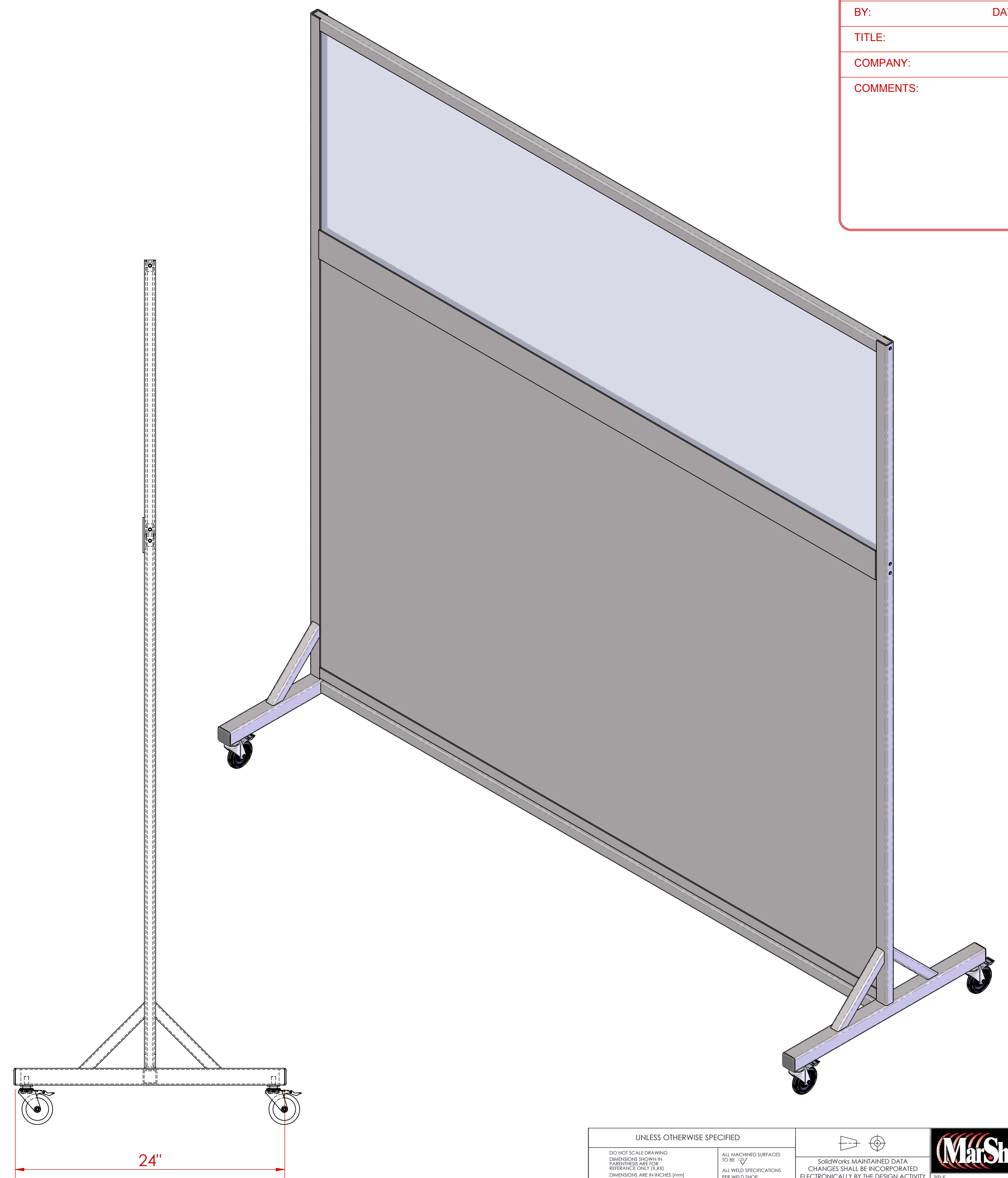
APPROVED WITH CHANGES SHOWN

BY: _____ DATE: _____

TITLE: _____

COMPANY: _____

COMMENTS: _____



NOTES:

1. ALL UNITS ARE INCHES (mm) UNLESS OTHERWISE SPECIFIED
2. DIMENSIONAL TOLERANCES: +/- 1/4"
3. GLASS INSTALLED ON SITE BY END USER - GLASS SHIPPED SEPARATELY

UNLESS OTHERWISE SPECIFIED		SolidWorks MAINTAINED DATA CHANGES SHALL BE INCORPORATED ELECTRONICALLY BY THE DESIGN ACTIVITY		MarShield Custom Radiation Protection, Shielding and Storage	
<small>DO NOT SCALE DRAWING DIMENSIONS SHOWN PREFERABLE ARE FOR REFERENCE ONLY (XX) DIMENSIONS ARE IN INCHES (mm) TOLERANCES APPLY AS SHOWN BELOW X = ± 0.001 XX = ± 0.002 XXX = ± 0.005 ANGLES ± 0.001°</small>	<small>ALL MACHINED SURFACES TO BE ALL WELD SPECIFICATIONS PER WELD SHOP</small>	<small>PROPRIETARY NO PART OF THIS DOCUMENT MAY BE REPRODUCED, STORED IN A RETRIEVAL SYSTEM, OR TRANSMITTED IN ANY FORM, WITHOUT THE WRITTEN PERMISSION OF MarShield - MGR Metal Company DIVISION OF MarShield Metal Industries Ltd.</small>	<small>DRAWN BY</small> M.S.D. <small>DATE</small> 6/15/2018 <small>CHECKED BY</small> _____ <small>DATE</small> _____ <small>APPROVED</small> _____ <small>DATE</small> _____	<small>TITLE</small> ROLLING BARRIER ASSEMBLY <small>CUSTOMER/DEALER</small> _____ <small>MODEL NUMBER</small> _____ <small>DRAWING NO.</small> MSRB 722448-0.8 Rev.4-19	<small>SCALE</small> 1:6 <small>SHEET</small> 1 OF 1