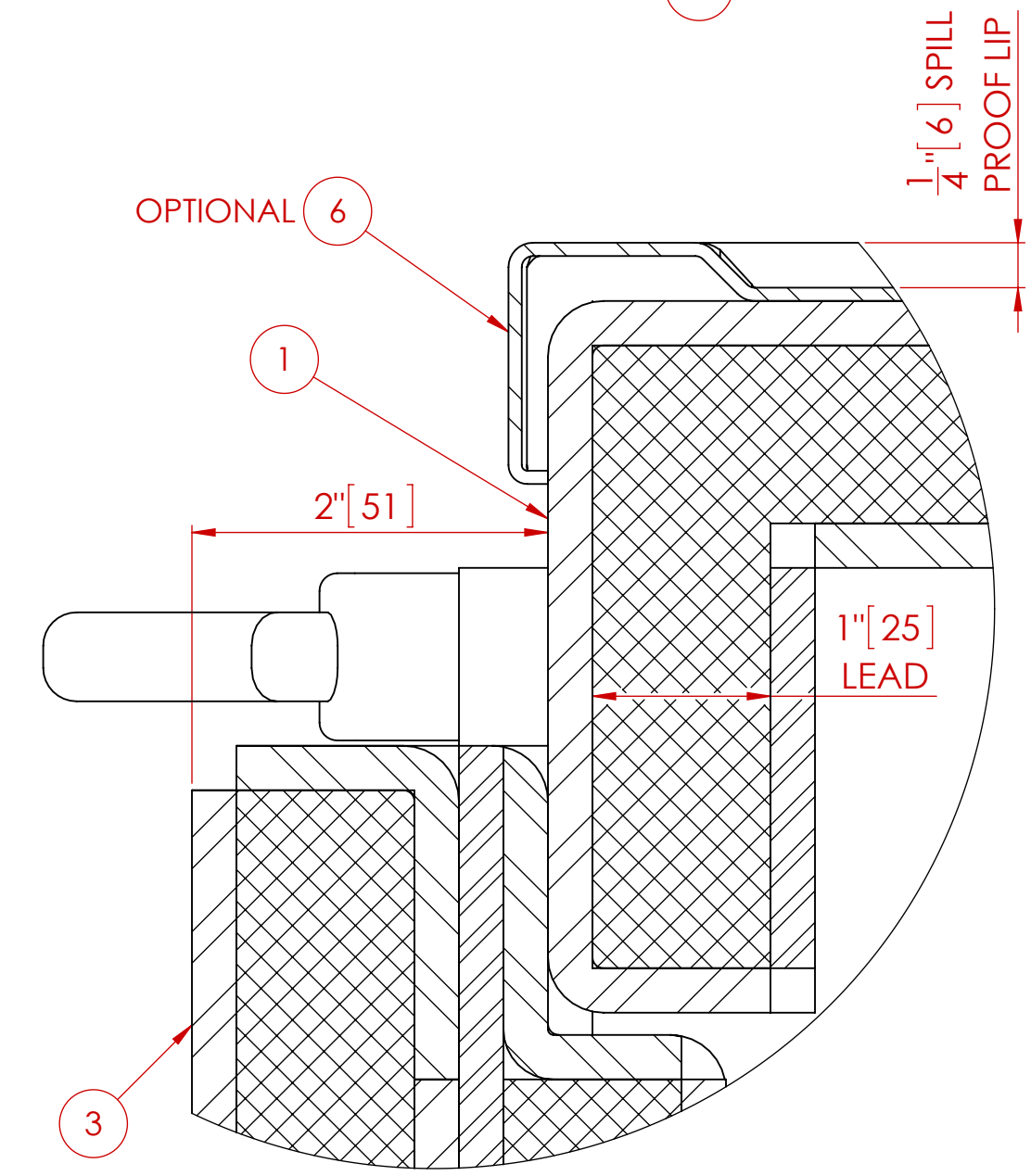
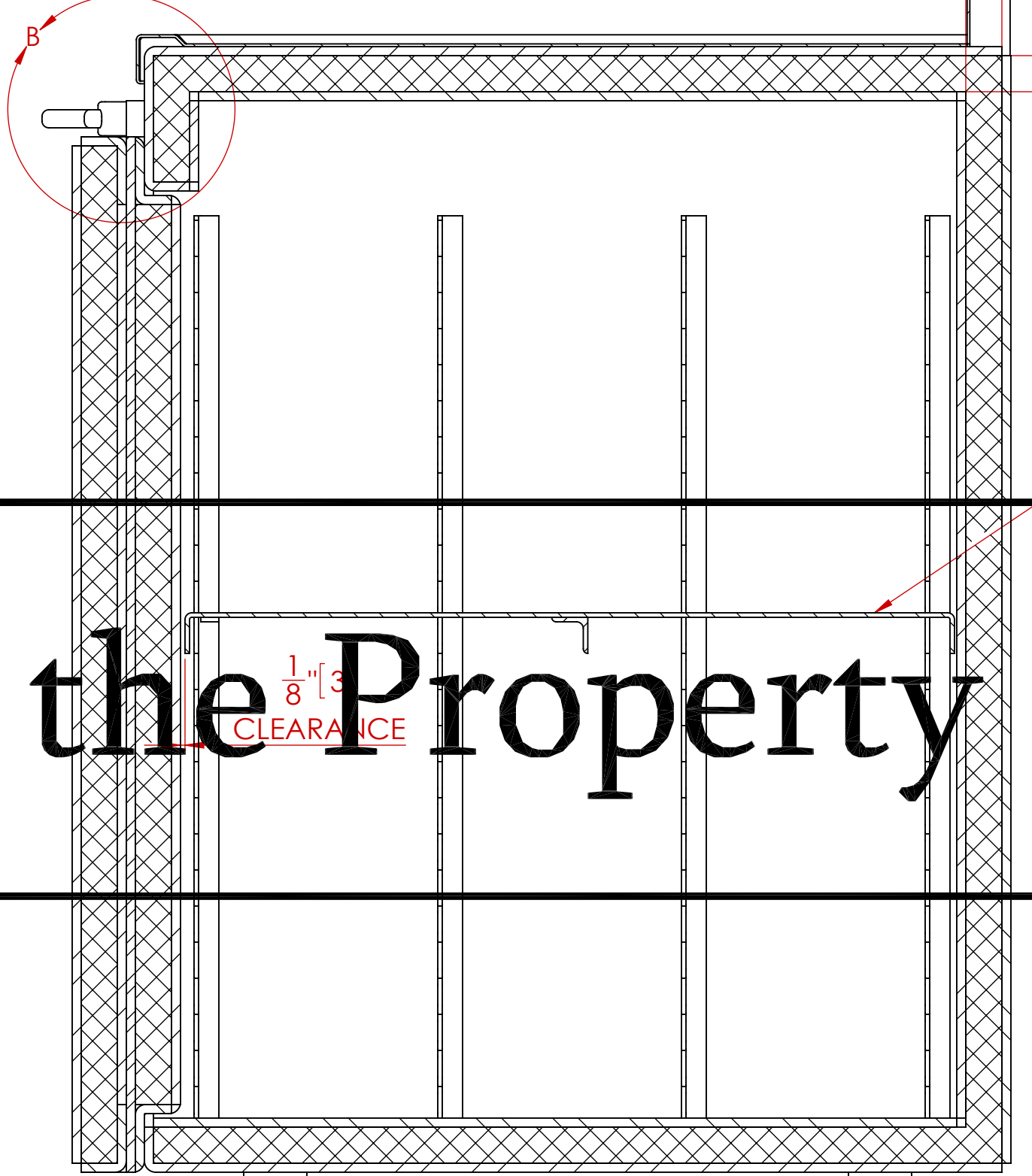
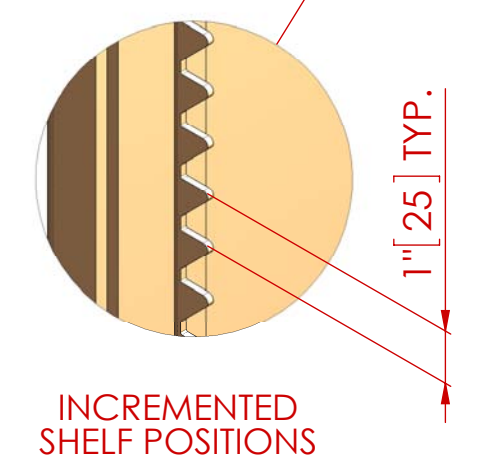
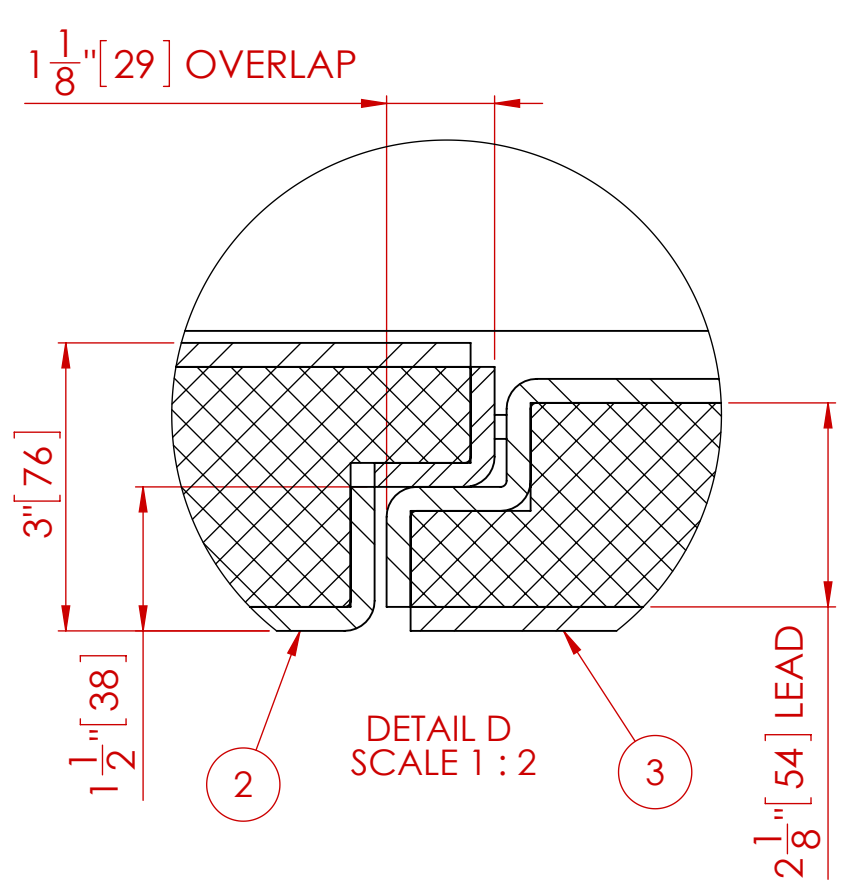
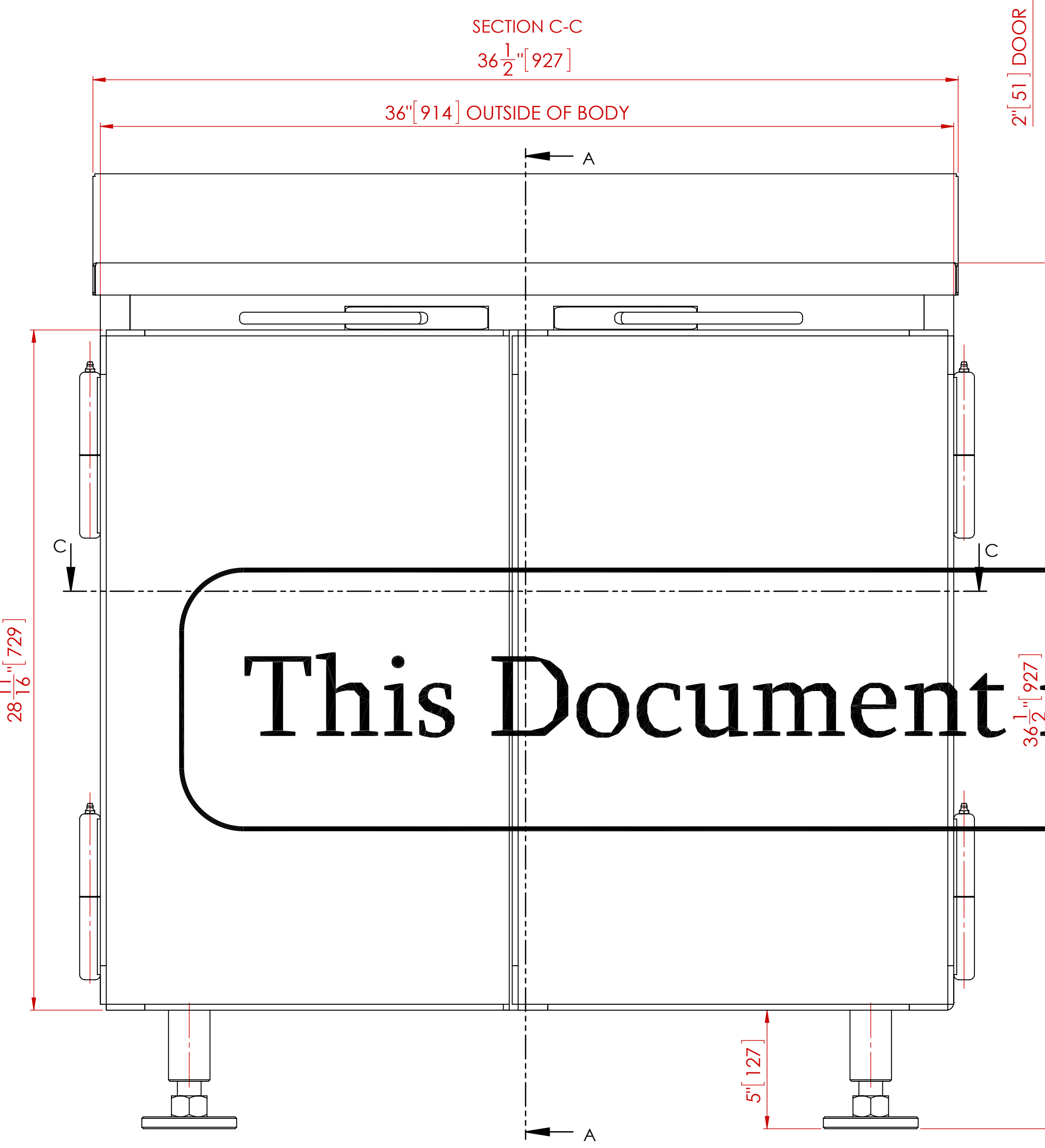
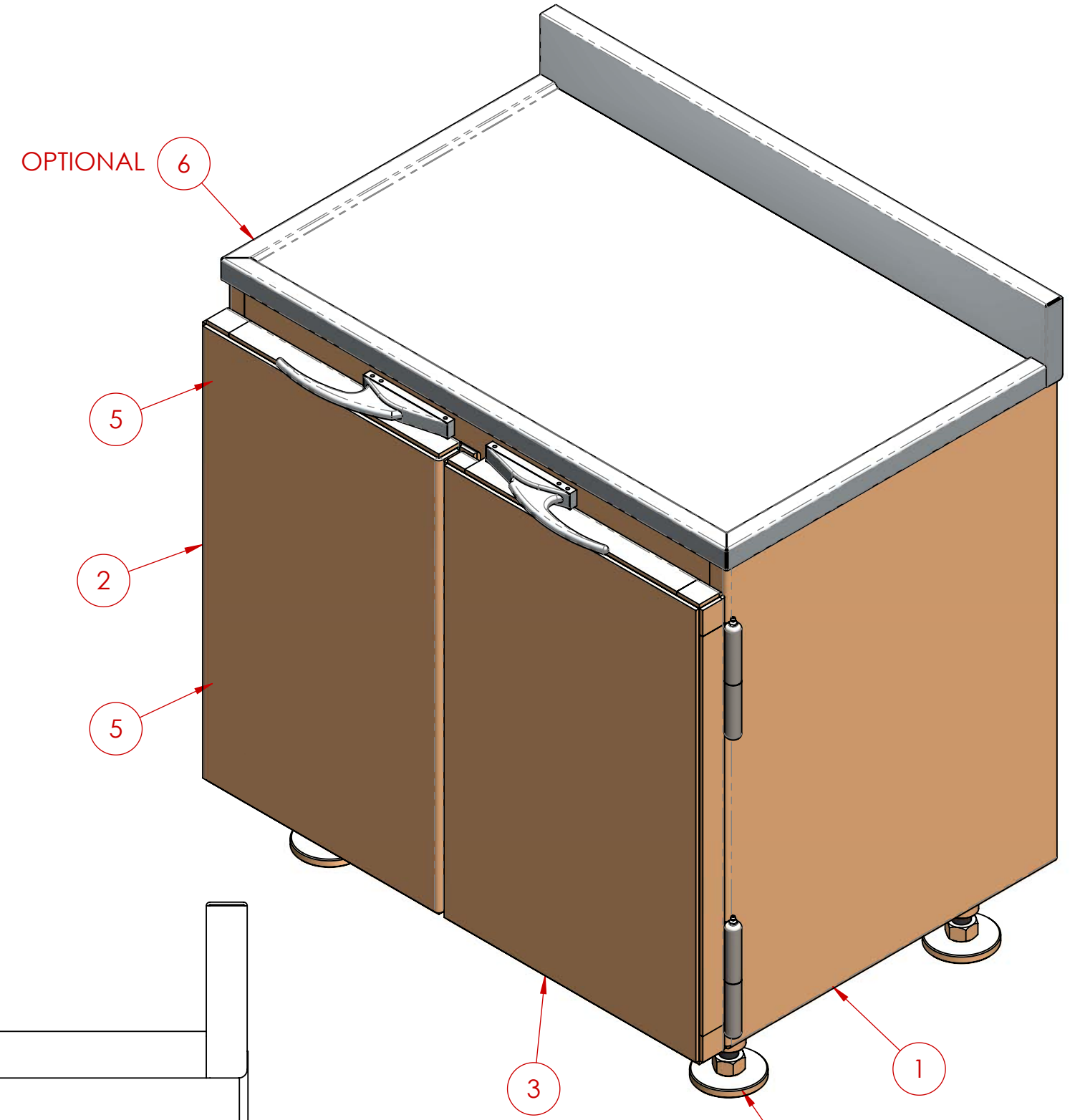
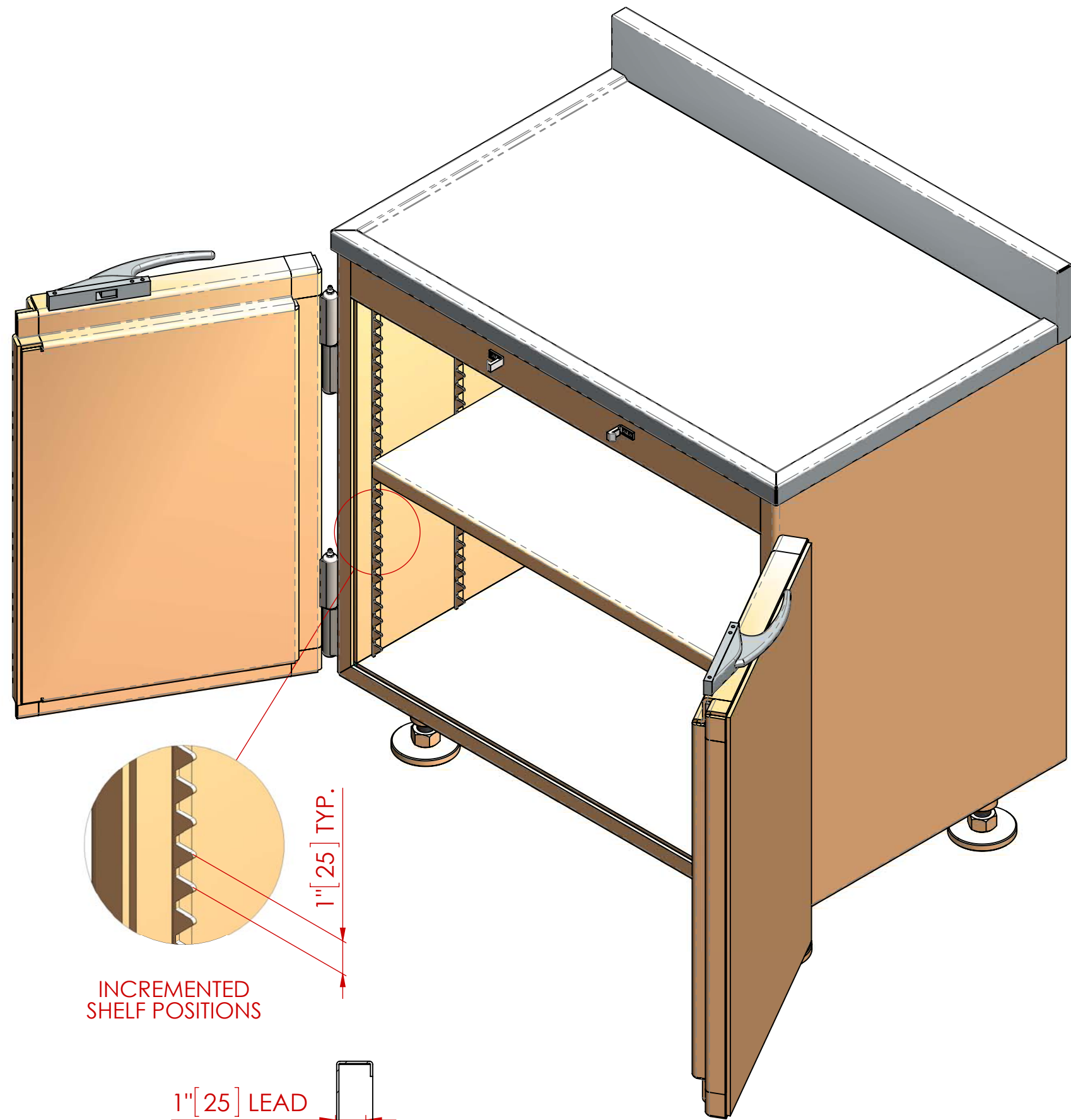


CUSTOMER APPROVAL ENDORSEMENT

APPROVED AS SHOWN
 APPROVED WITH CHANGES SHOWN

BY: _____ DATE: _____
 TITLE: _____
 COMPANY: _____
 COMMENTS: _____

ITEM NO.	QTY	PART NUMBER	DESCRIPTION
1	1	MS-PEBC-1.0-01-00	BODY
2	1	MS-PEBC-1.0-02-08	DOOR - LEFT HAND
3	1	MS-PEBC-1.0-02-00	DOOR - RIGHT HAND
4	4	MS-DC-0.5-08-00	LEG
5	4	-----	7" HINGE C/W GREASE NIPPLE
6	1	MS-10-02	OPTIONAL CABINET TOP
7	1	MS-PEBC-1.0-04-00	ADJUSTABLE SHELF



This Document is the Property of MarShield

NOTES:
 1. ALL UNITS ARE INCHES [mm] UNLESS OTHERWISE SPECIFIED
 2. ITEM 6 (CABINET TOP) IS OPTIONAL

TOTAL LEAD WEIGHT	TOTAL CABINET WEIGHT (INCLUDING LEAD)
2,508 LBS. (1,140 kg)	3,353 LBS. (1,524 kg)

REV.	DESCRIPTION	DATE	APPROVED
B	ITEM 7 WAS MS-PEBC-1.0-02-00	2/4/2014	M.S.D.
A	ADDED WEIGHTS TABLE	2/27/2013	M.S.D.

UNLESS OTHERWISE SPECIFIED

DO NOT SCALE DRAWING
 DIMENSIONS SHOWN IN PARENTHESES ARE FOR REFERENCE ONLY (X.XX)
 DIMENSIONS ARE IN INCHES [mm]
 TOLERANCES APPLY AS SHOWN BELOW
 .X = ±.0000
 .XX = ±.0010
 .XXX = ±.0005
 ANGLES = ±.001°

ALL MACHINED SURFACES TO BE $\sqrt{10}$
 ALL WELD SPECIFICATIONS PER WELD SHOP

PROPRIETARY
 NO PART OF THIS DOCUMENT MAY BE REPRODUCED, STORED IN A RETRIEVAL SYSTEM, OR TRANSMITTED IN ANY FORM, WITHOUT THE WRITTEN PERMISSION OF MarShield - MGR Metal Company DIVISION OF Marshell Metal Industries Ltd.

SolidWorks MAINTAINED DATA
 CHANGES SHALL BE INCORPORATED ELECTRONICALLY BY THE DESIGN ACTIVITY

MarShield Custom Radiation Protection, Shielding and Storage

TITLE: PREPARATION ENCLOSURE BASE CABINET ASSEMBLY
 CUSTOMER/DEALER: _____
 DRAWN BY: M.S.D. DATE: 2/21/2013
 CHECKED BY: _____ DATE: _____
 APPROVED BY: _____ DATE: _____

SCALE: 1:4 WEIGHT: 1 SHEET 1 OF 1