

CUSTOMER APPROVAL ENDORSEMENT

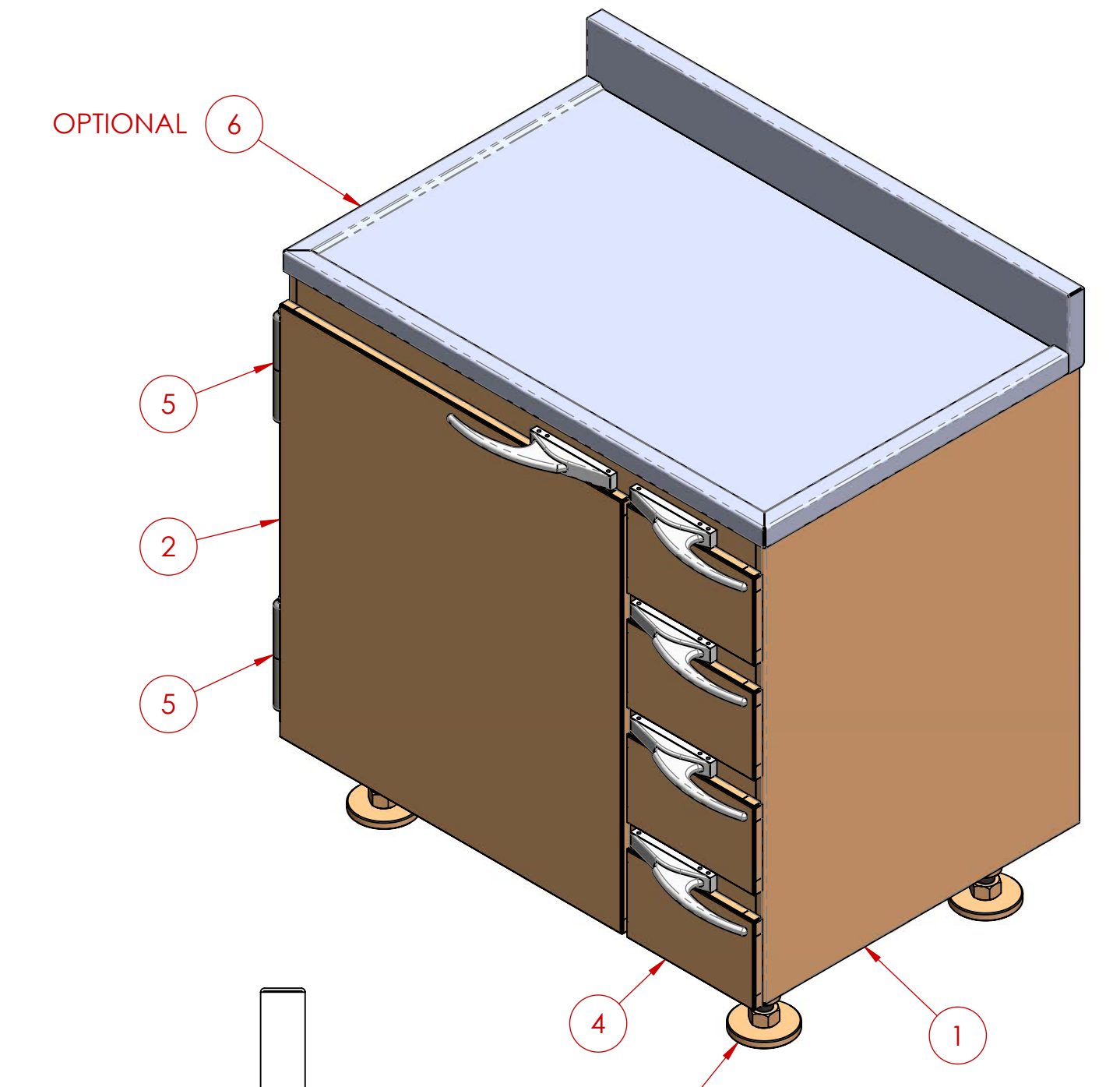
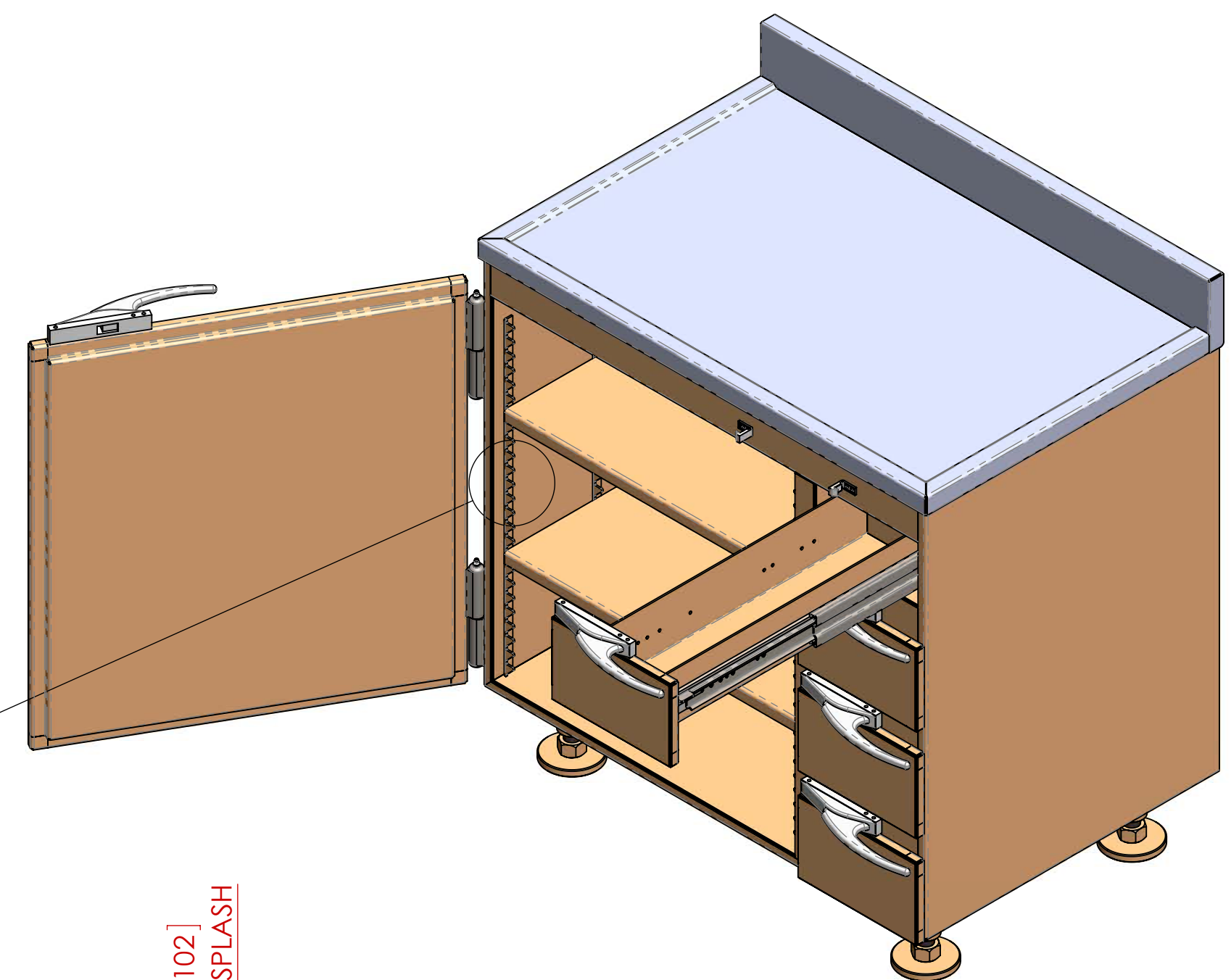
APPROVED AS SHOWN
 APPROVED WITH CHANGES SHOWN

BY: _____ DATE: _____

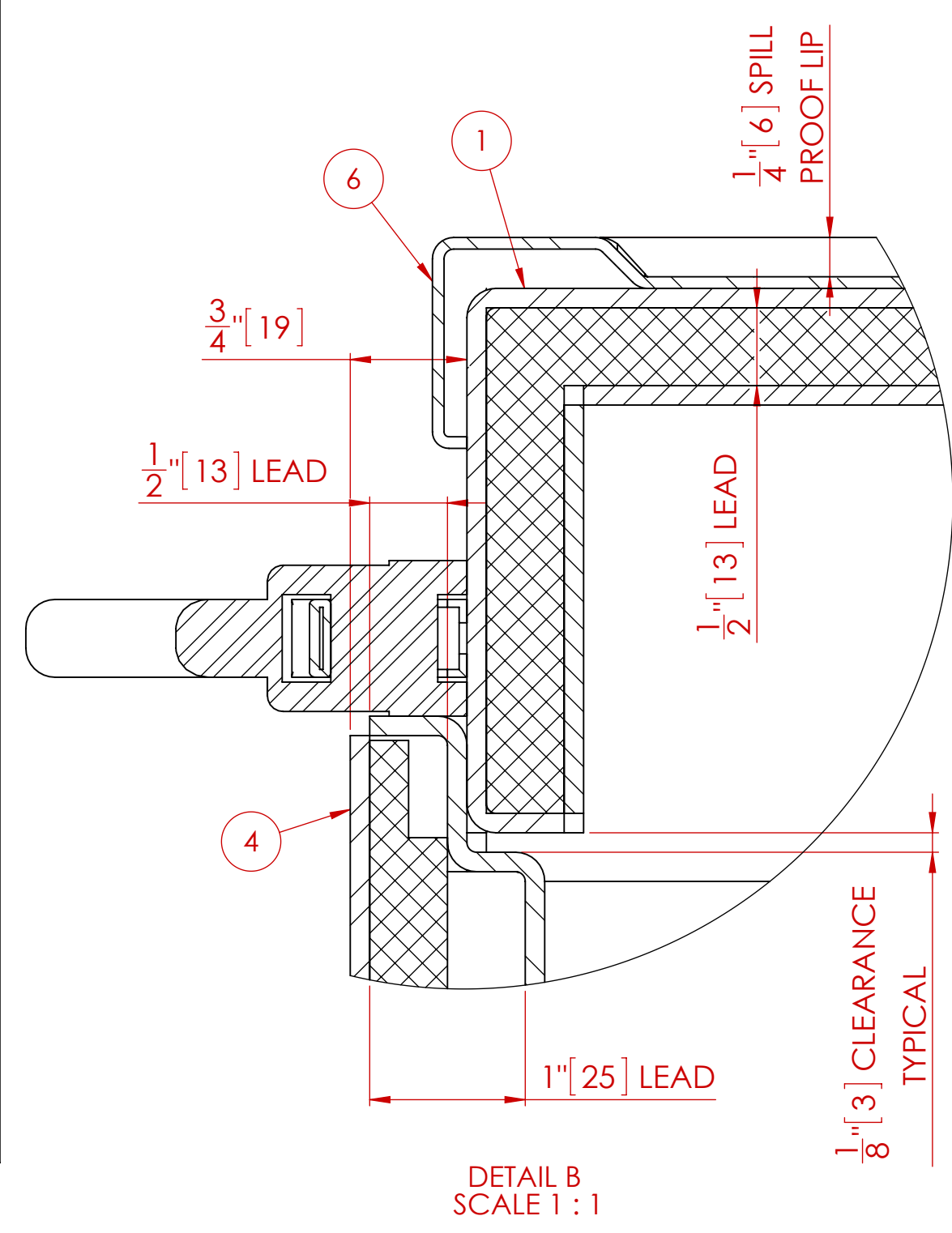
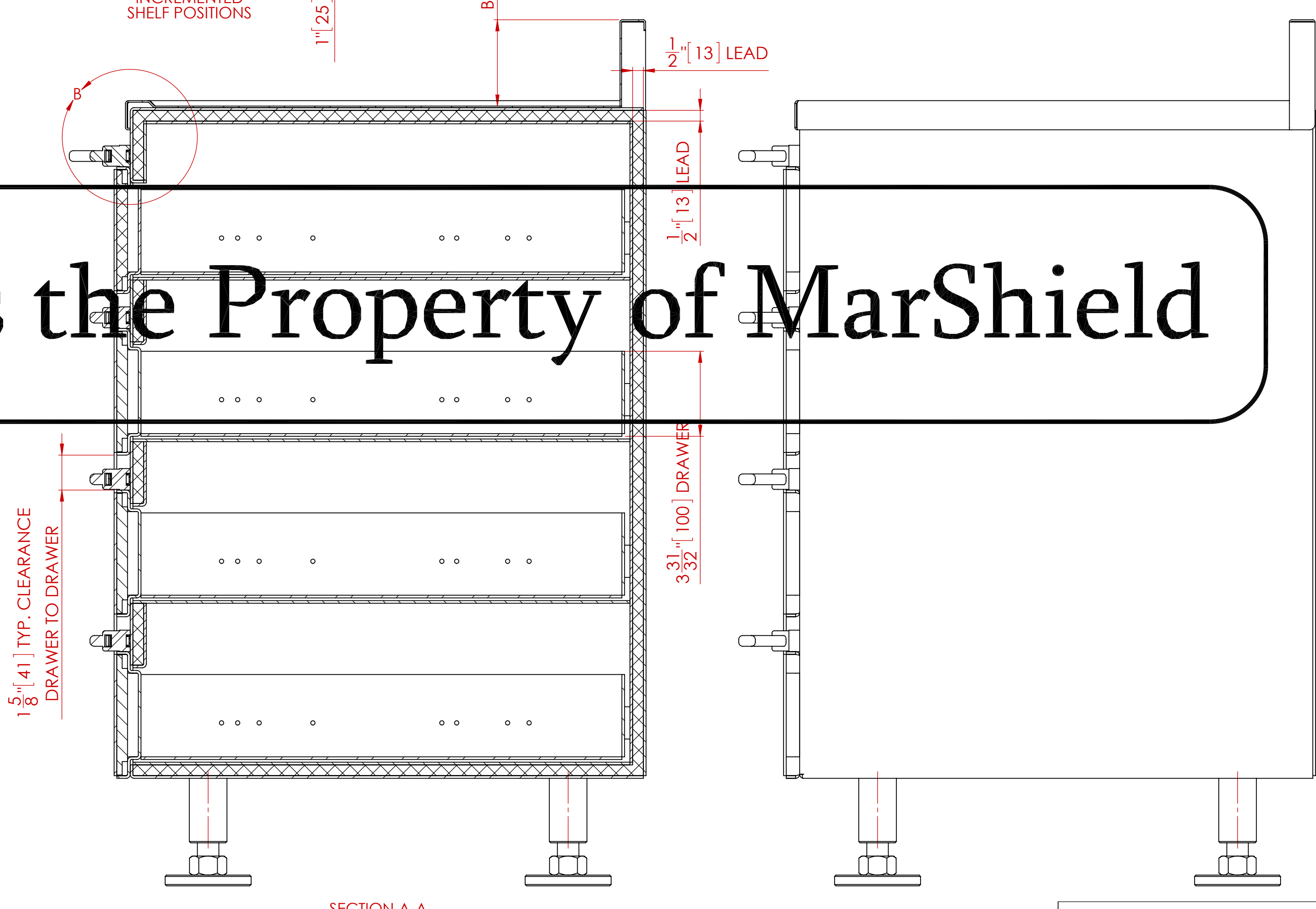
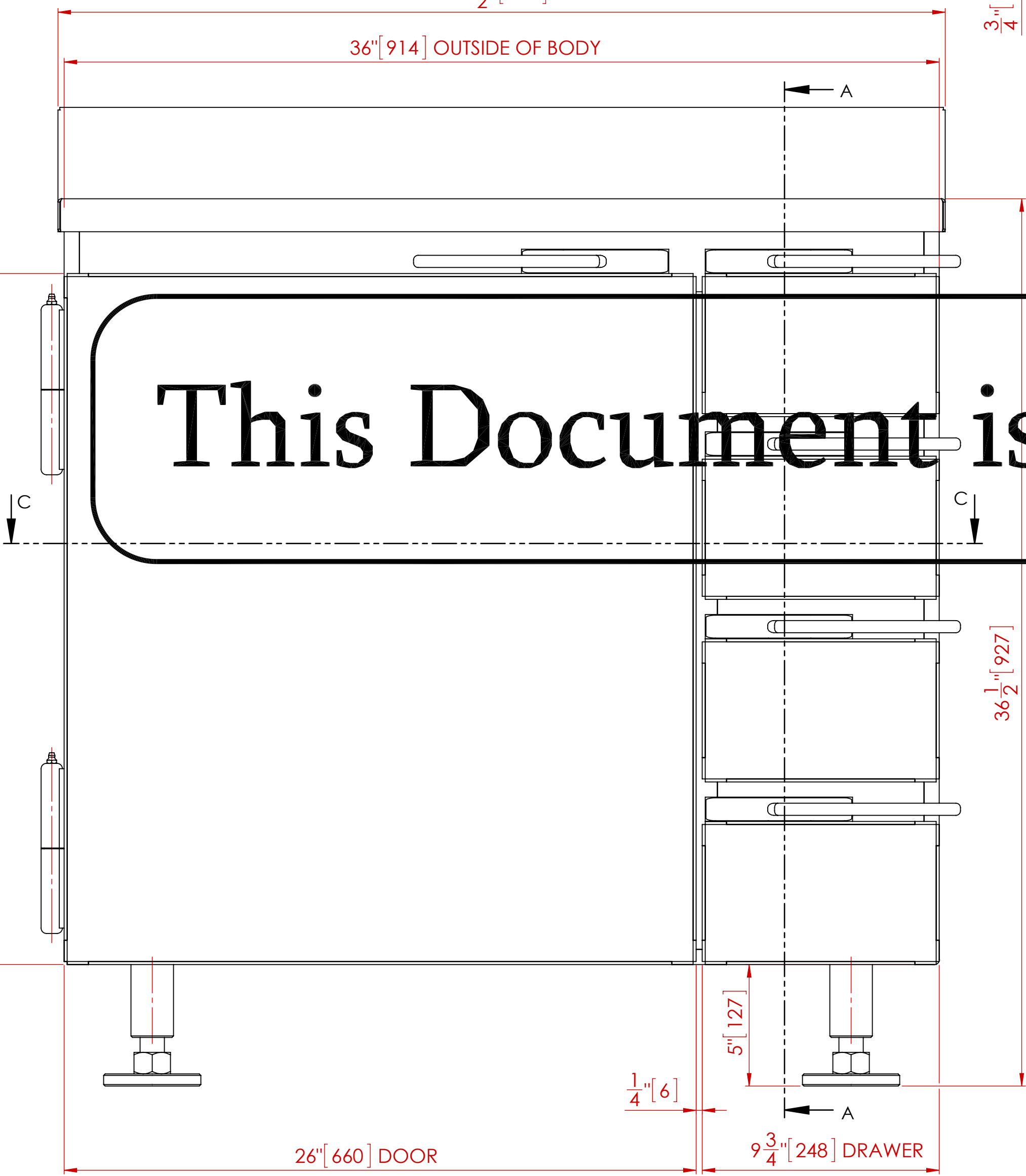
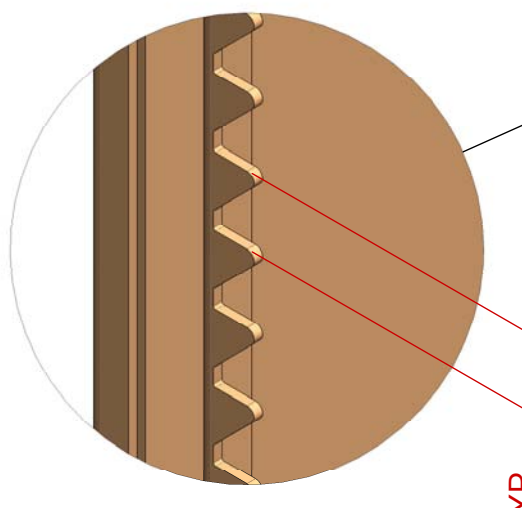
TITLE: _____

COMPANY: _____

COMMENTS: _____



ITEM NO.	QTY	PART NUMBER	DESCRIPTION
1	1	MS-DSC-0.5-01-00	BODY
2	1	MS-DSC-0.5-02-00	DOOR
3	4	MS-DC-0.5-08-00	LEG
4	4	MS-DSC-0.5-03-00	DRAWER
5	2	-----	7\"/>
6	1	MS-10-02	OPTIONAL CABINET TOP
7	2	MS-DSC-0.5-04-00	ADJUSTABLE SHELF



This Document is the Property of MarShield

NOTES:
 1. ALL UNITS ARE INCHES [mm] UNLESS OTHERWISE SPECIFIED
 2. ITEM 6 (CABINET TOP) IS OPTIONAL

TOTAL LEAD WEIGHT	TOTAL CABINET WEIGHT (INCLUDING LEAD)
1,240 LBS. (564 kg)	1,965 LBS. (893 kg)

REV.	DESCRIPTION	DATE	APPROVED
C	ADDED ITEM 7. SHELVES WERE FIXED	2/1/2014	M.S.D.
B	ADDED WEIGHTS TABLE	2/27/2013	M.S.D.
A	RELEASED FOR CUSTOMER REVIEW & APPROVAL	1/17/2013	M.S.D.

UNLESS OTHERWISE SPECIFIED

DO NOT SCALE DRAWING DIMENSIONS SHOWN PREFERABLE FOR REFERENCE ONLY (XXI) DIMENSIONS ARE IN INCHES (mm) TOLERANCES APPLY AS SHOWN BELOW
 X = ± 0.005
 XX = ± 0.010
 XXX = ± 0.030
 ANGLES ± 0.007

ALL MACHINED SURFACES TO BE 12.5
 ALL WELD SPECIFICATIONS PER WELD SHOP

PROPRIETARY
 NO PART OF THIS DOCUMENT MAY BE REPRODUCED, STORED IN A RETRIEVAL SYSTEM, OR TRANSMITTED IN ANY FORM, WITHOUT THE WRITTEN PERMISSION OF MarShield - MGR Metall Company DIVISION OF Marwell Metal Industries Ltd.

SolidWorks MAINTAINED DATA CHANGES SHALL BE INCORPORATED ELECTRONICALLY BY THE DESIGN ACTIVITY

MODEL NUMBER: _____

TITLE: **DECAY AND STORAGE CABINET ASSEMBLY**

CUSTOMER/DEALER: _____

DRAWN BY: M.S.D. DATE: 12/18/2012

CHECKED BY: _____ DATE: _____

APPROVED: _____ DATE: _____

SCALE: 1:4 WEIGHT: 1 SHEET 1 OF 1

MarShield Custom Radiation Protection, Shielding and Storage

MS-DSC-0.5-36.5-24-36.5