

CUSTOMER APPROVAL ENDORSEMENT

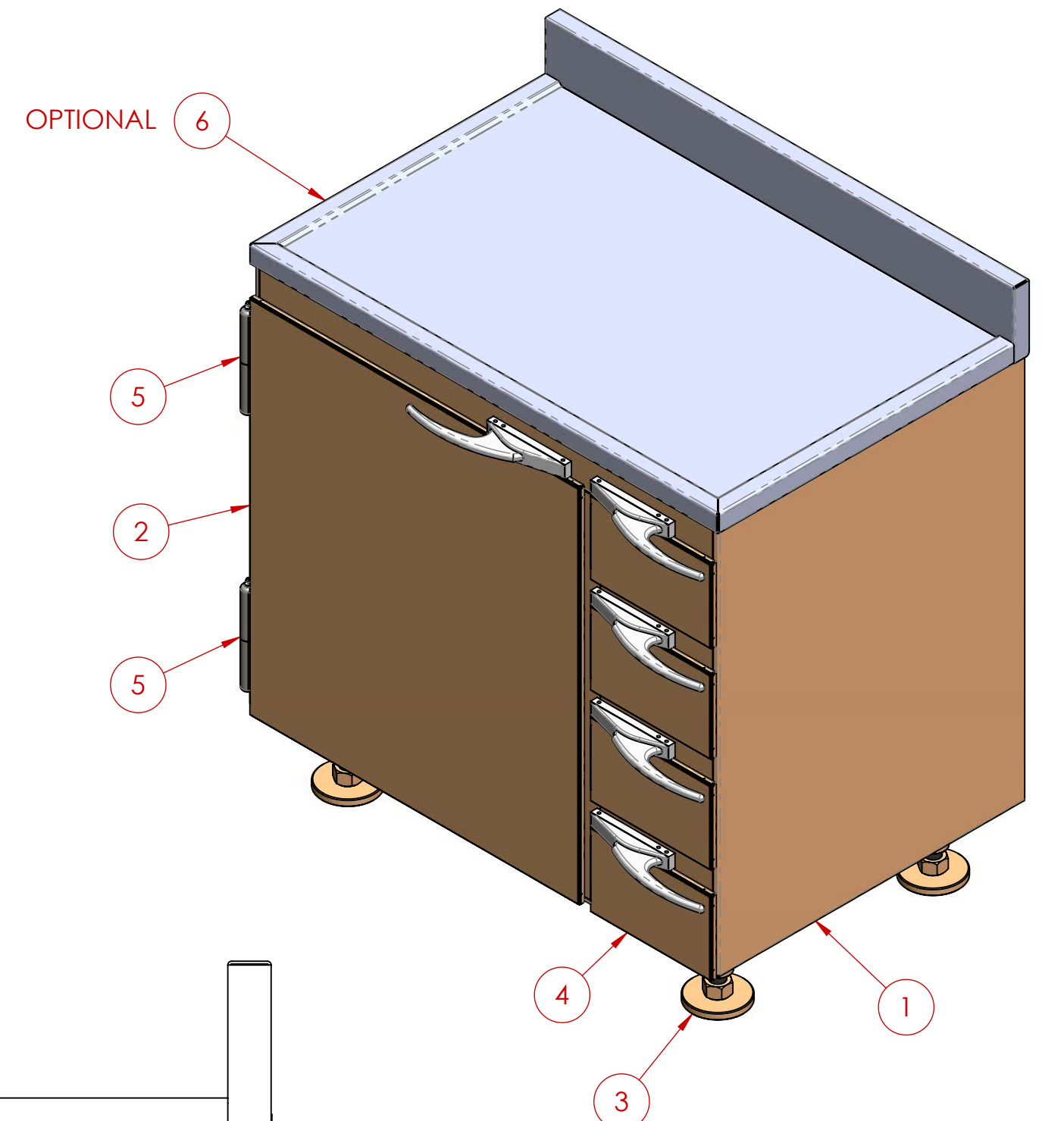
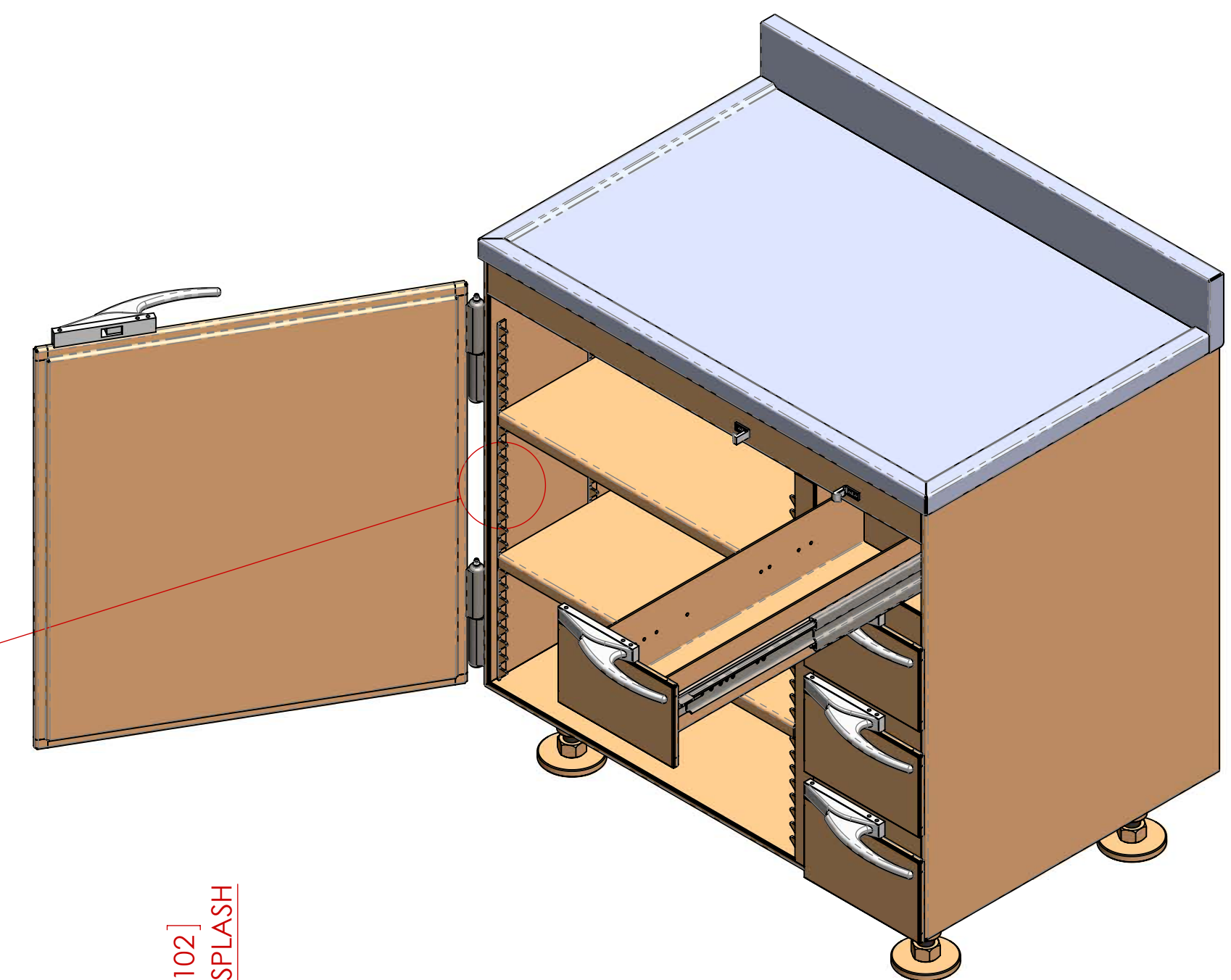
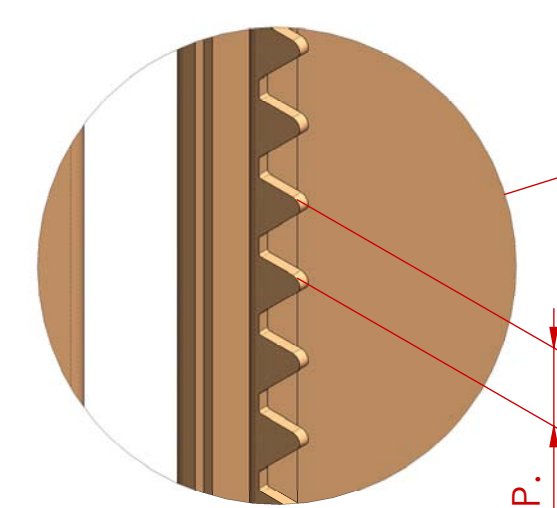
APPROVED AS SHOWN
 APPROVED WITH CHANGES SHOWN

BY: _____ DATE: _____

TITLE: _____

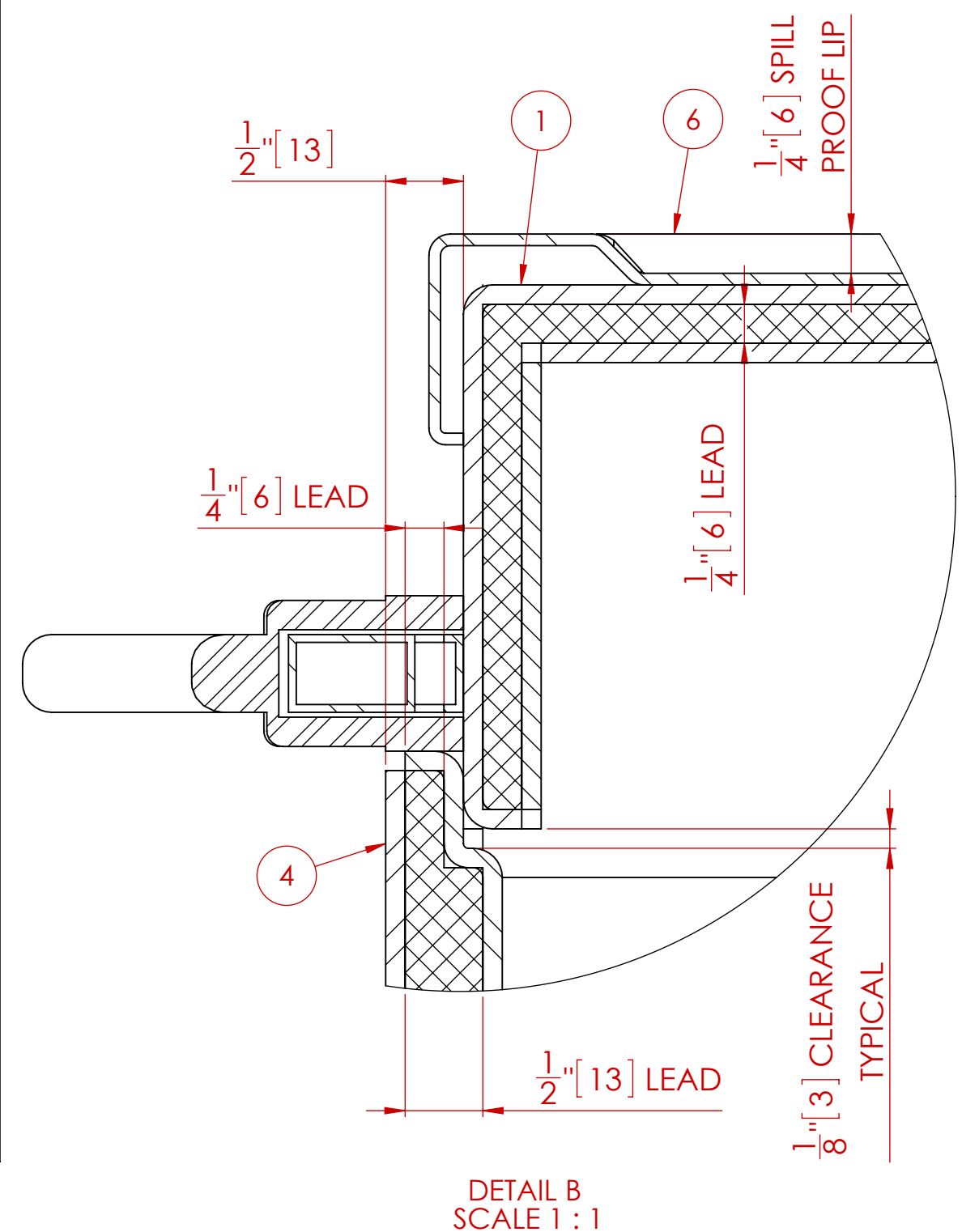
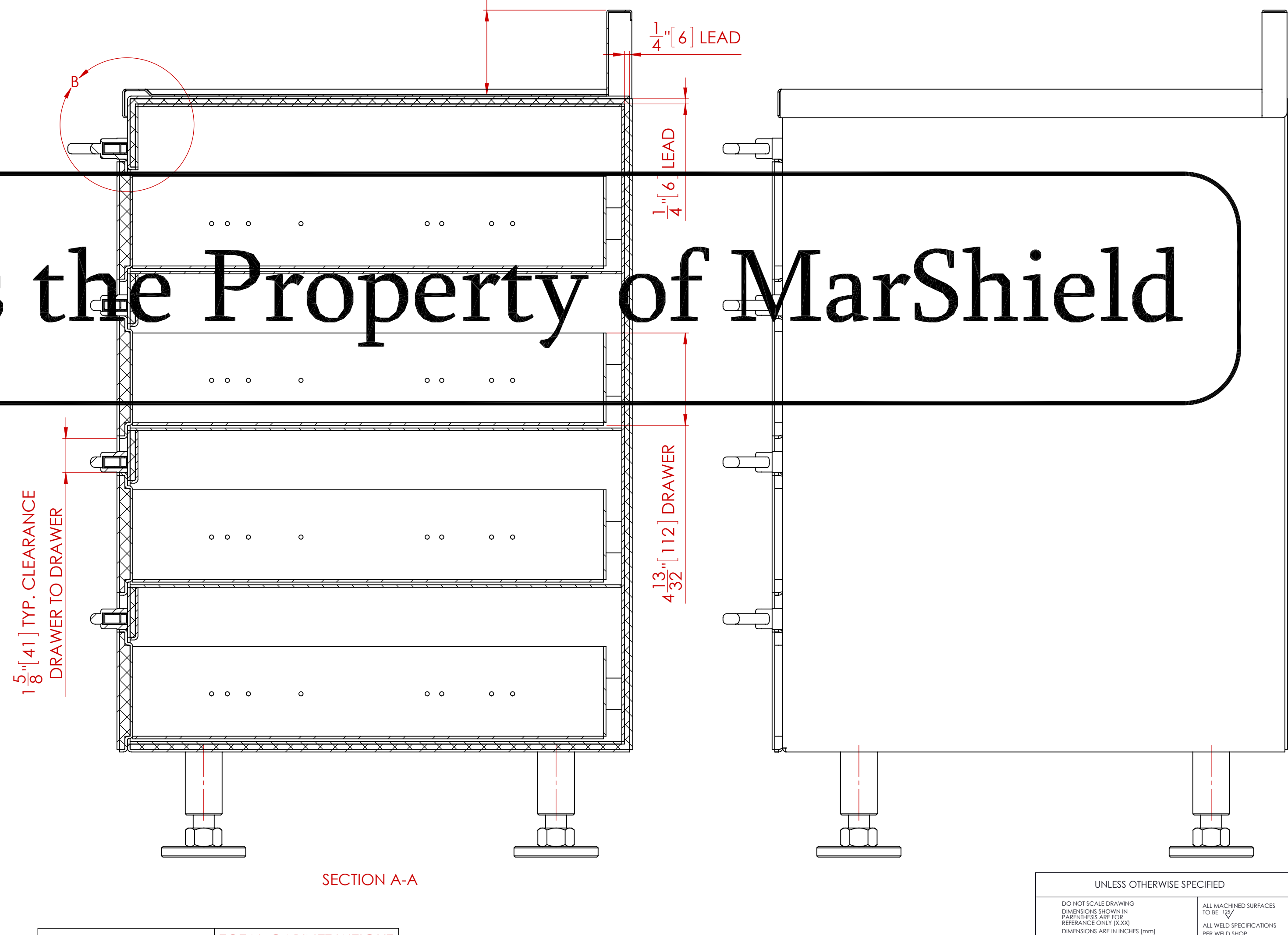
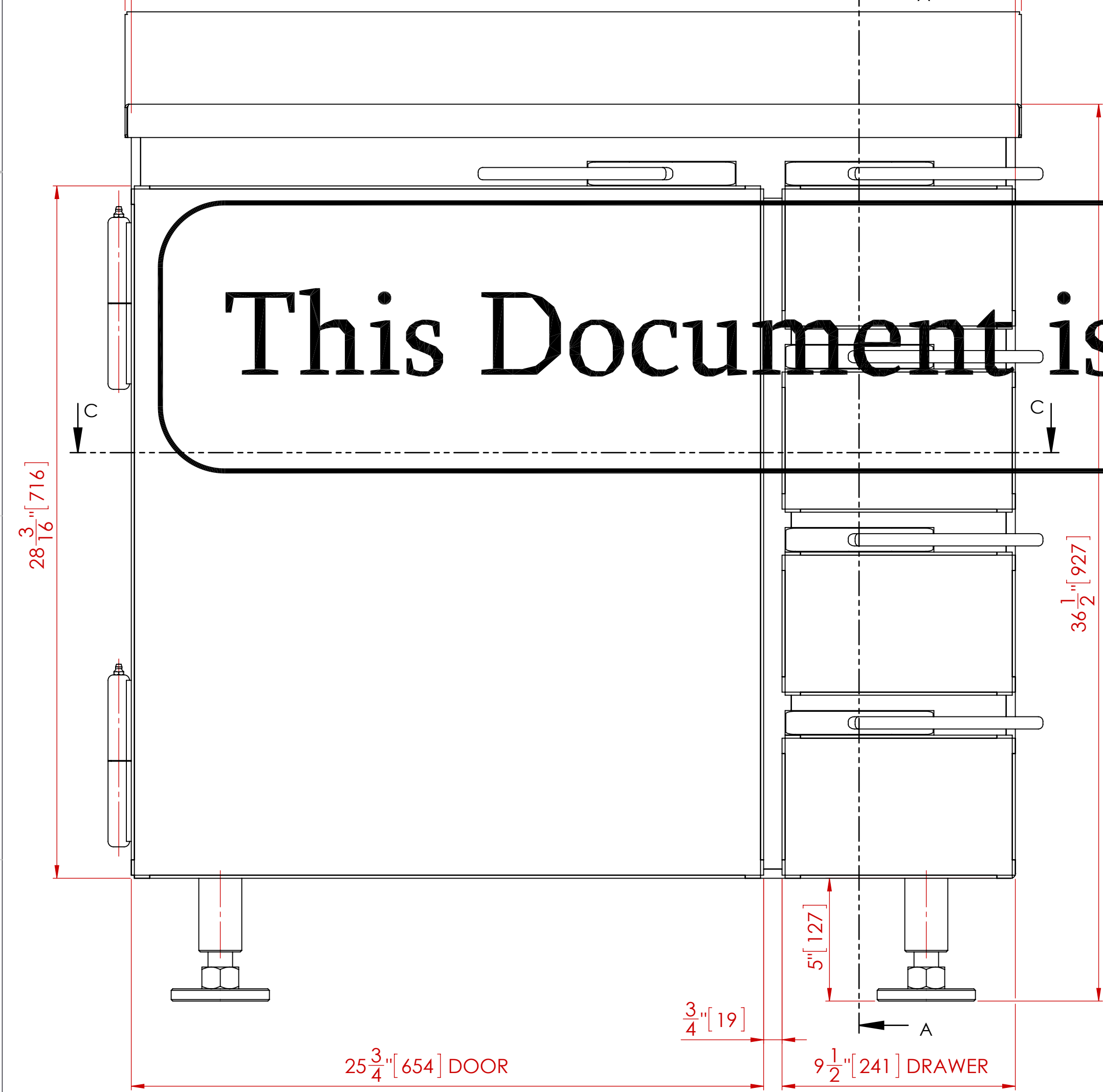
COMPANY: _____

COMMENTS: _____



ITEM NO.	QTY	PART NUMBER	DESCRIPTION
1	1	MS-DSC-0.25-01-00	BODY
2	1	MS-DSC-0.25-02-00	DOOR
3	4	MS-DC-0.5-08-00	LEG
4	4	MS-DSC-0.25-03-00	DRAWER
5	2	-----	7" HINGE C/W GREASE NIPPLE
6	1	MS-10-02	OPTIONAL CABINET TOP
7	2	MS-DSC-0.25-04-00	ADJUSTABLE SHELF

This Document is the Property of MarShield



NOTES:

1. ALL UNITS ARE INCHES [mm] UNLESS OTHERWISE SPECIFIED

2. ITEM 6 (CABINET TOP) IS OPTIONAL

TOTAL LEAD WEIGHT	TOTAL CABINET WEIGHT (INCLUDING LEAD)
630 LBS. (286 kg)	1,360 LBS. (618 kg)

REV.	DESCRIPTION	DATE	APPROVED
B	ADDED ITEM 7, SHELVES WERE FIXED	2/1/2014	M.S.D.
A	ADDED WEIGHTS TABLE	2/27/2013	M.S.D.

UNLESS OTHERWISE SPECIFIED

DO NOT SCALE DRAWING
DIMENSIONS SHOWN IN PARENTESIS ARE FOR REFERENCE ONLY (XXI)
DIMENSIONS ARE IN INCHES (mm)
TOLERANCES APPLY AS SHOWN BELOW
X = ± 0.005
XX = ± 0.010
XXX = ± 0.020
ANGLES ± 0.001/16

ALL MACHINED SURFACES TO BE $\sqrt{10}$
ALL WELD SPECIFICATIONS PER WELD SHOP

PROPRIETARY
NO PART OF THIS DOCUMENT MAY BE REPRODUCED, STORED IN A RETRIEVAL SYSTEM, OR TRANSMITTED IN ANY FORM, WITHOUT THE WRITTEN PERMISSION OF MarShield - MGR Metal Company DIVISION OF Marshell Metal Industries Ltd.

MarShield Custom Radiation Protection, Shielding and Storage

TITLE: DECAY AND STORAGE CABINET ASSEMBLY

CUSTOMER/DEALER: _____

DRAWN BY: M.S.D. DATE: 2/6/2013

CHECKED BY: _____ DATE: _____

APPROVED BY: _____ DATE: _____

SCALE: 1:4 WEIGHT: _____ SHEET 1 OF 1

MS-DSC-0.25-36.5-24-36.5