

ITEM NO.	QTY	PART NUMBER	DESCRIPTION
1	1	MS-WC-0.5-01-00	BODY
2	1	MS-DC-0.5-02-00	DOOR
3	4	MS-DC-0.5-08-00	LEG
4	2	----	7" HINGE C/W GREASE NIPPLE
5	1	MS-10-05	OPTIONAL CABINET TOP
6	1	----	OPTIONAL SHARPS HOLE C/W LEAD FILLED COVER

**CUSTOMER APPROVAL ENDORSEMENT**

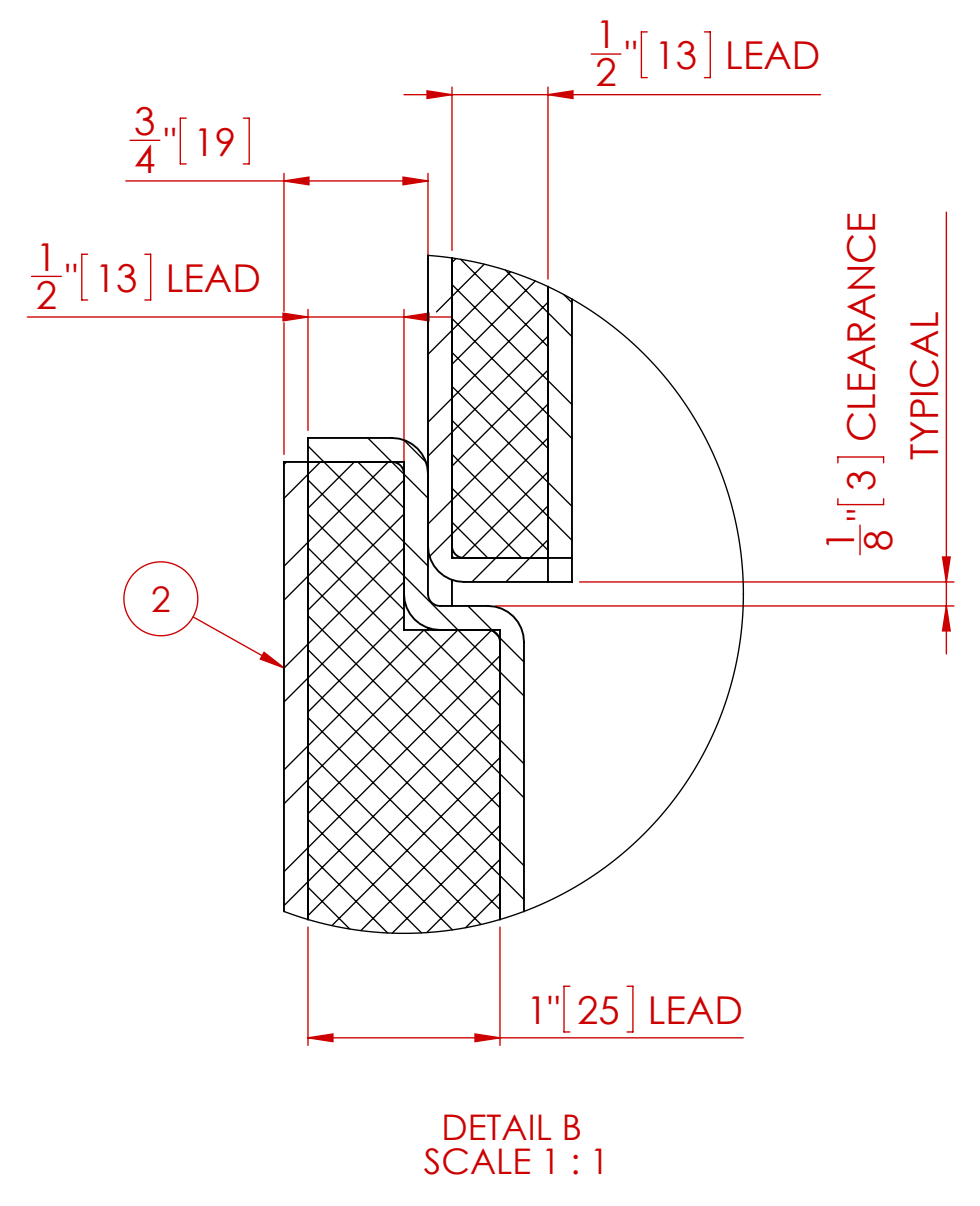
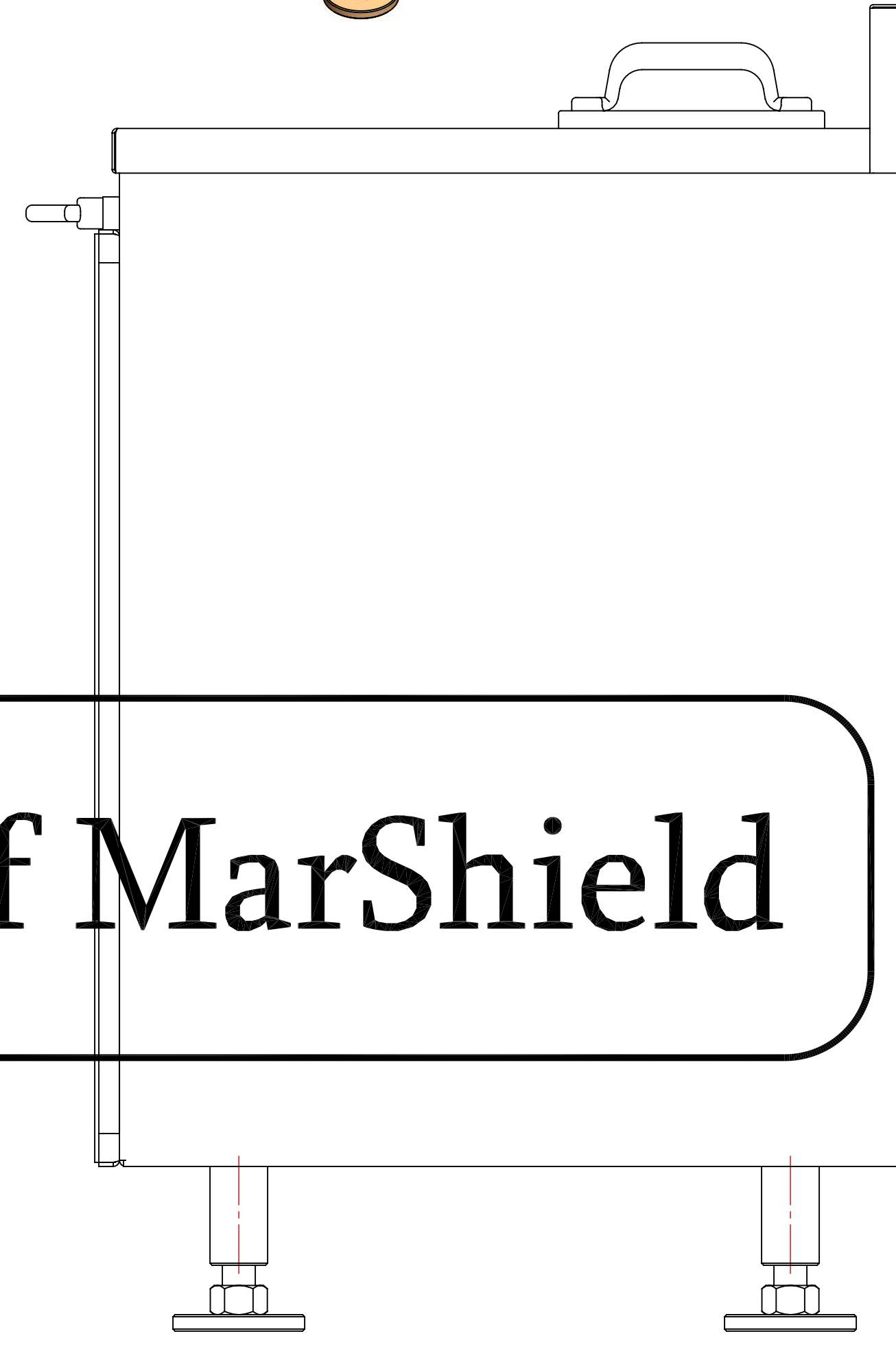
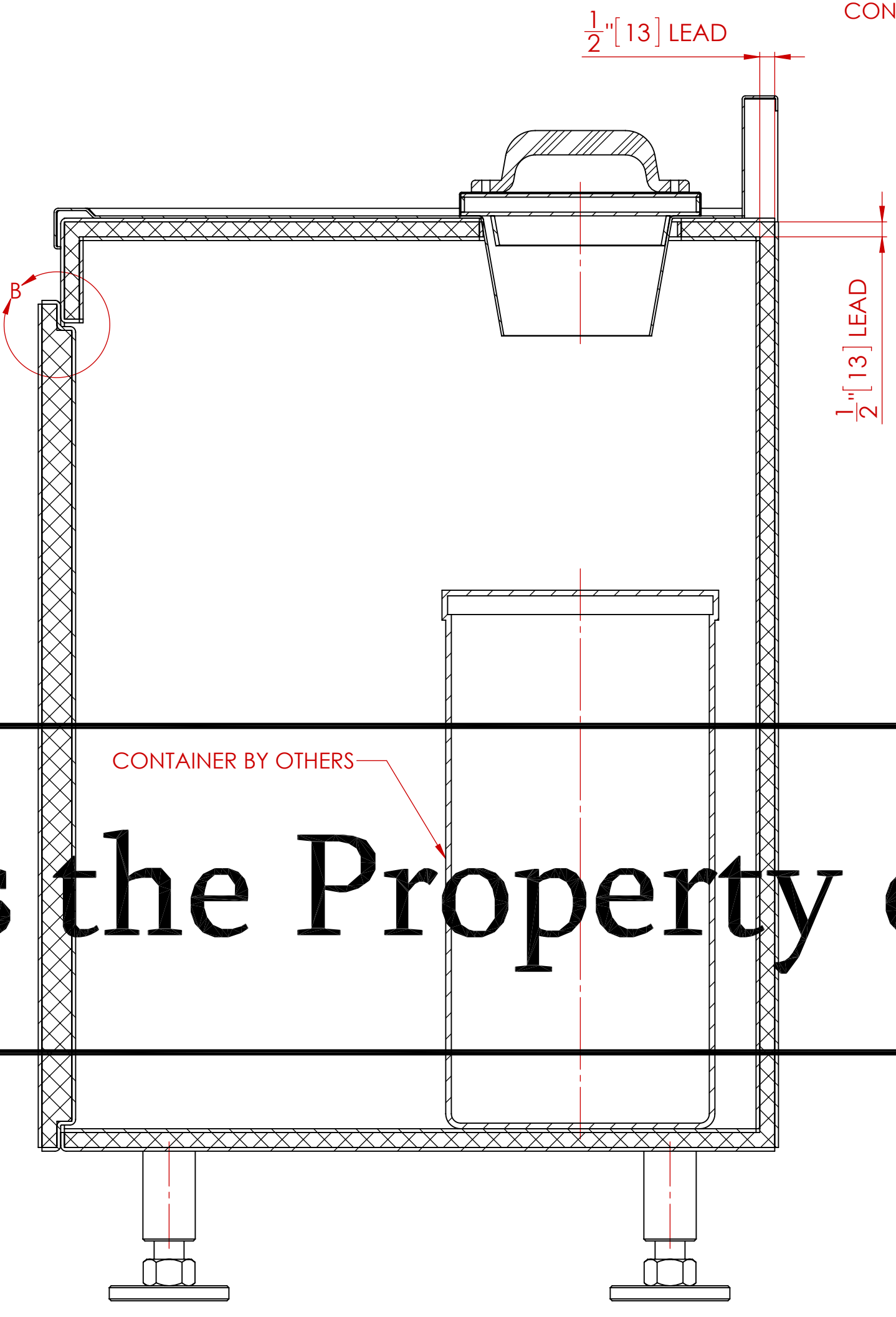
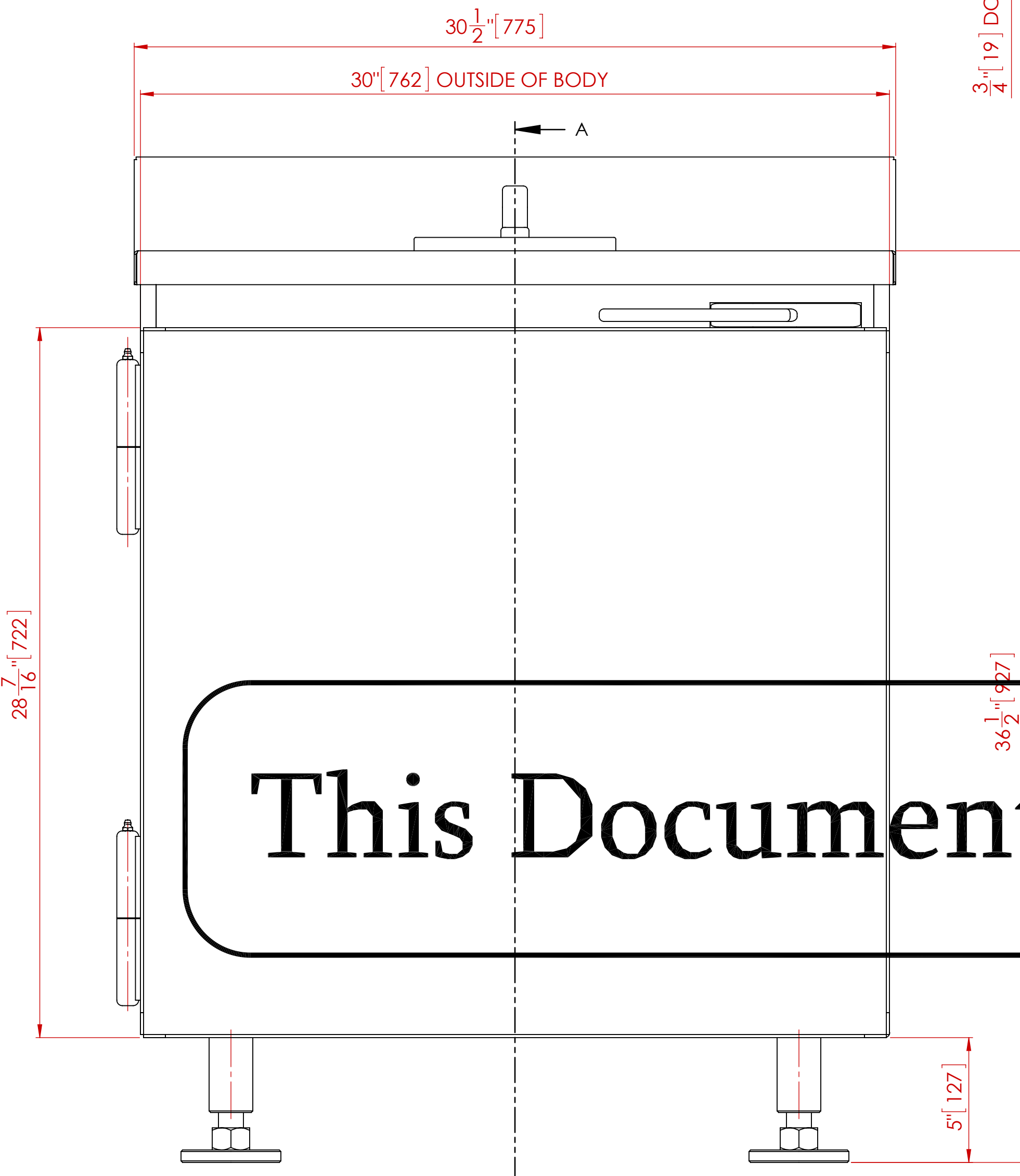
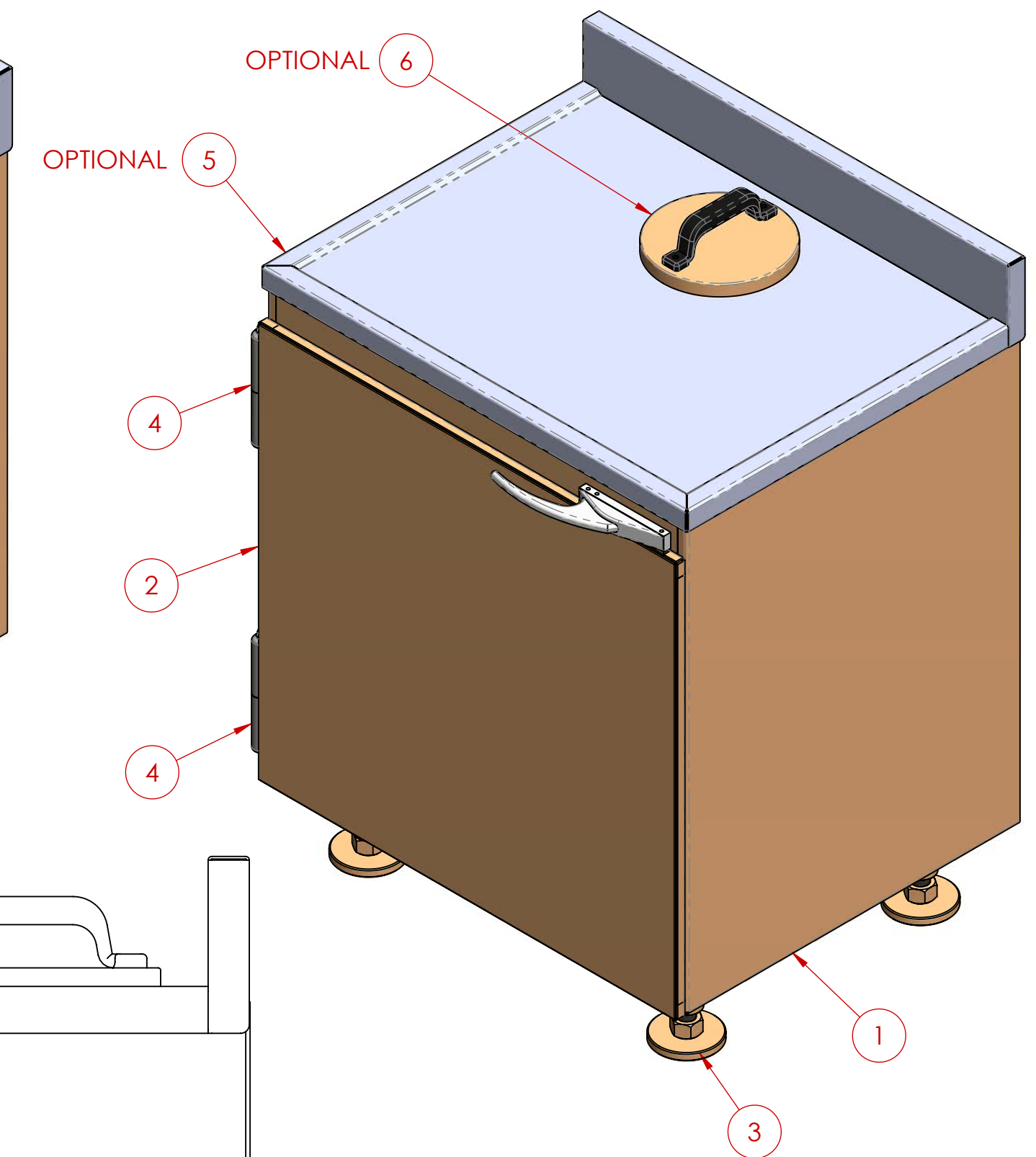
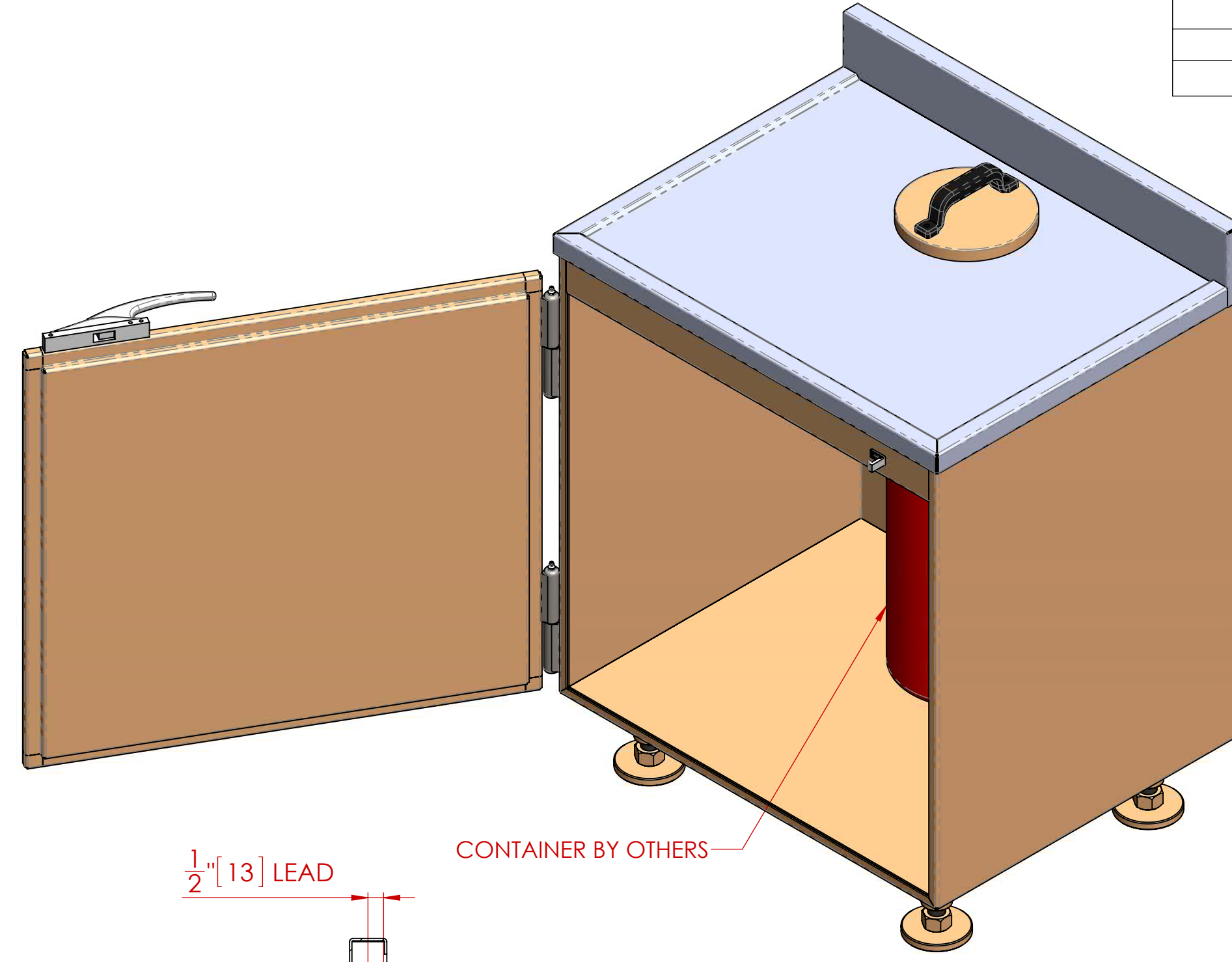
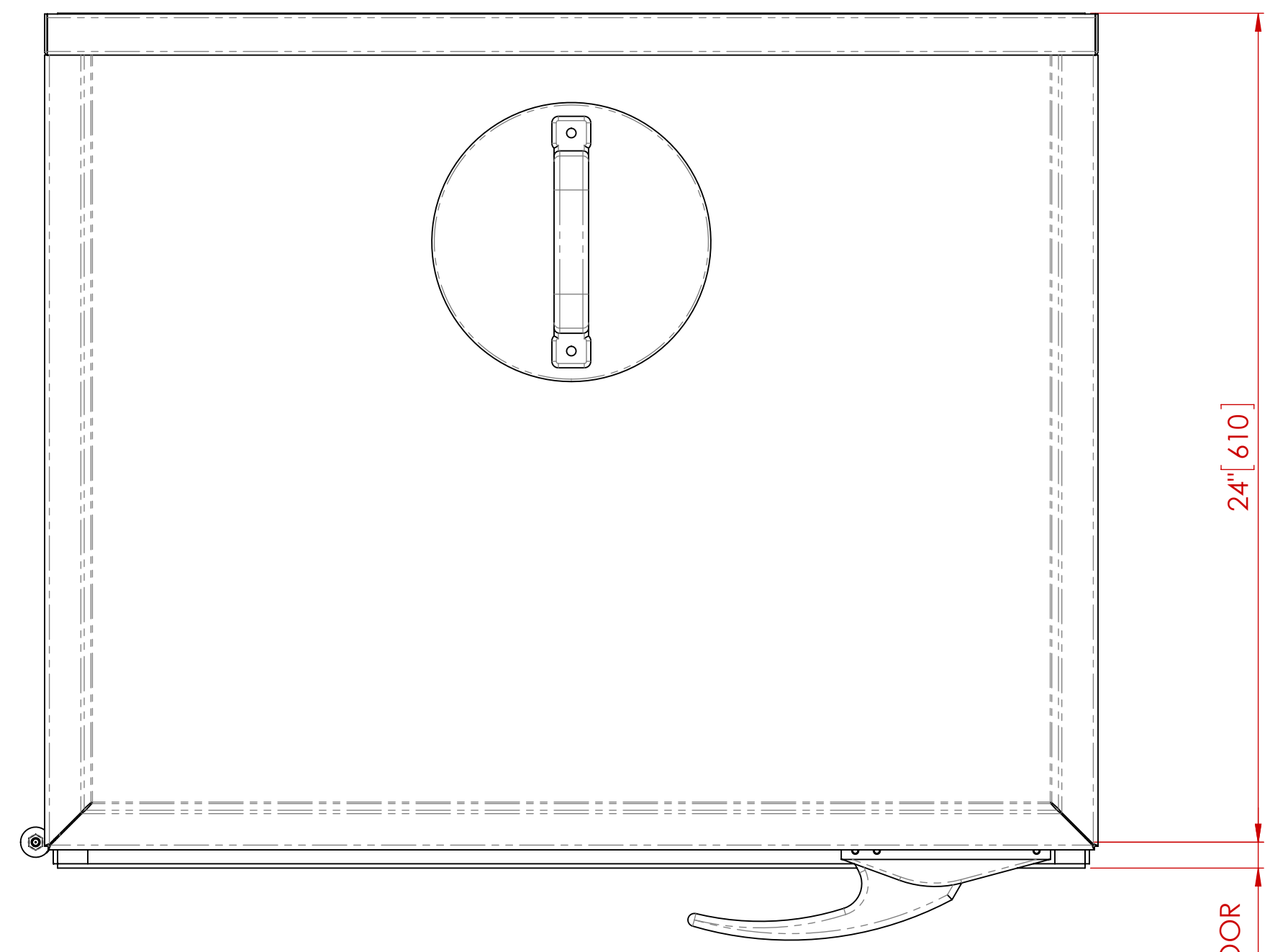
APPROVED AS SHOWN  
 APPROVED WITH CHANGES SHOWN

BY: \_\_\_\_\_ DATE: \_\_\_\_\_

TITLE: \_\_\_\_\_

COMPANY: \_\_\_\_\_

COMMENTS: \_\_\_\_\_



This Document is the Property of MarShield

- NOTES:**
- ALL UNITS ARE INCHES [mm] UNLESS OTHERWISE SPECIFIED
  - ITEM 5 (CABINET TOP) IS OPTIONAL
  - ITEM 6 (SHARPS HOLE & COVER) IS OPTIONAL

TOTAL LEAD WEIGHT	TOTAL CABINET WEIGHT (INCLUDING LEAD)
1,085 LBS. (493 kg)	1,465 LBS. (666 kg)

REV.	DESCRIPTION	DATE	APPROVED
B	ADDED WEIGHTS TABLE	2/27/2013	M.S.D.
A	RELEASED FOR CUSTOMER REVIEW & APPROVAL	1/17/2013	M.S.D.

UNLESS OTHERWISE SPECIFIED

DO NOT SCALE DRAWING DIMENSIONS SHOWN IN PARENTS ARE FOR REFERENCE ONLY (XXI) DIMENSIONS ARE IN INCHES [mm] TOLERANCES APPLY AS SHOWN BELOW

ALL MACHINED SURFACES TO BE  $\sqrt{10}$

ALL WELD SPECIFICATIONS PER WELD SHOP

PROPRIETARY NO PART OF THIS DOCUMENT MAY BE REPRODUCED, STORED IN A RETRIEVAL SYSTEM, OR TRANSMITTED IN ANY FORM, WITHOUT THE WRITTEN PERMISSION OF MarShield - MGR Metal Company DIVISION OF MarShield Metal Industries Ltd.

SolidWorks MAINTAINED DATA CHANGES SHALL BE INCORPORATED ELECTRONICALLY BY THE DESIGN ACTIVITY

MODEL NUMBER: \_\_\_\_\_

TITLE: **WASTE CABINET ASSEMBLY**

CUSTOMER/DEALER: \_\_\_\_\_

DRAWN BY: M.S.D. DATE: 1/16/2013

CHECKED BY: \_\_\_\_\_ DATE: \_\_\_\_\_

APPROVED BY: \_\_\_\_\_ DATE: \_\_\_\_\_

SCALE: 1:4 HEIGHT: 1

**MarShield** Custom Radiation Protection, Shielding and Storage

MS-WC-0.5-30.5-24-36.5

SHEET 1 OF 1