

CUSTOMER APPROVAL ENDORSEMENT

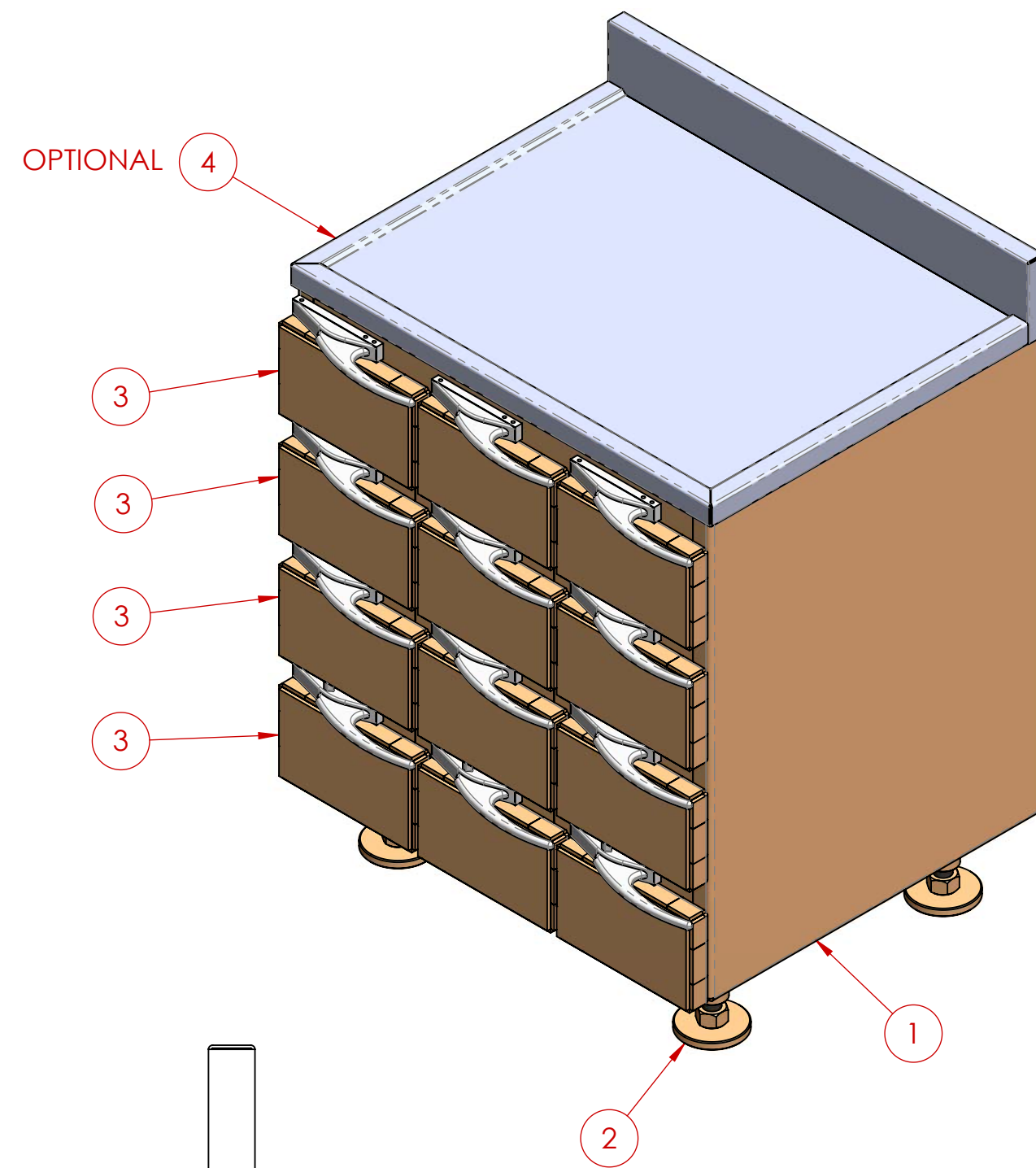
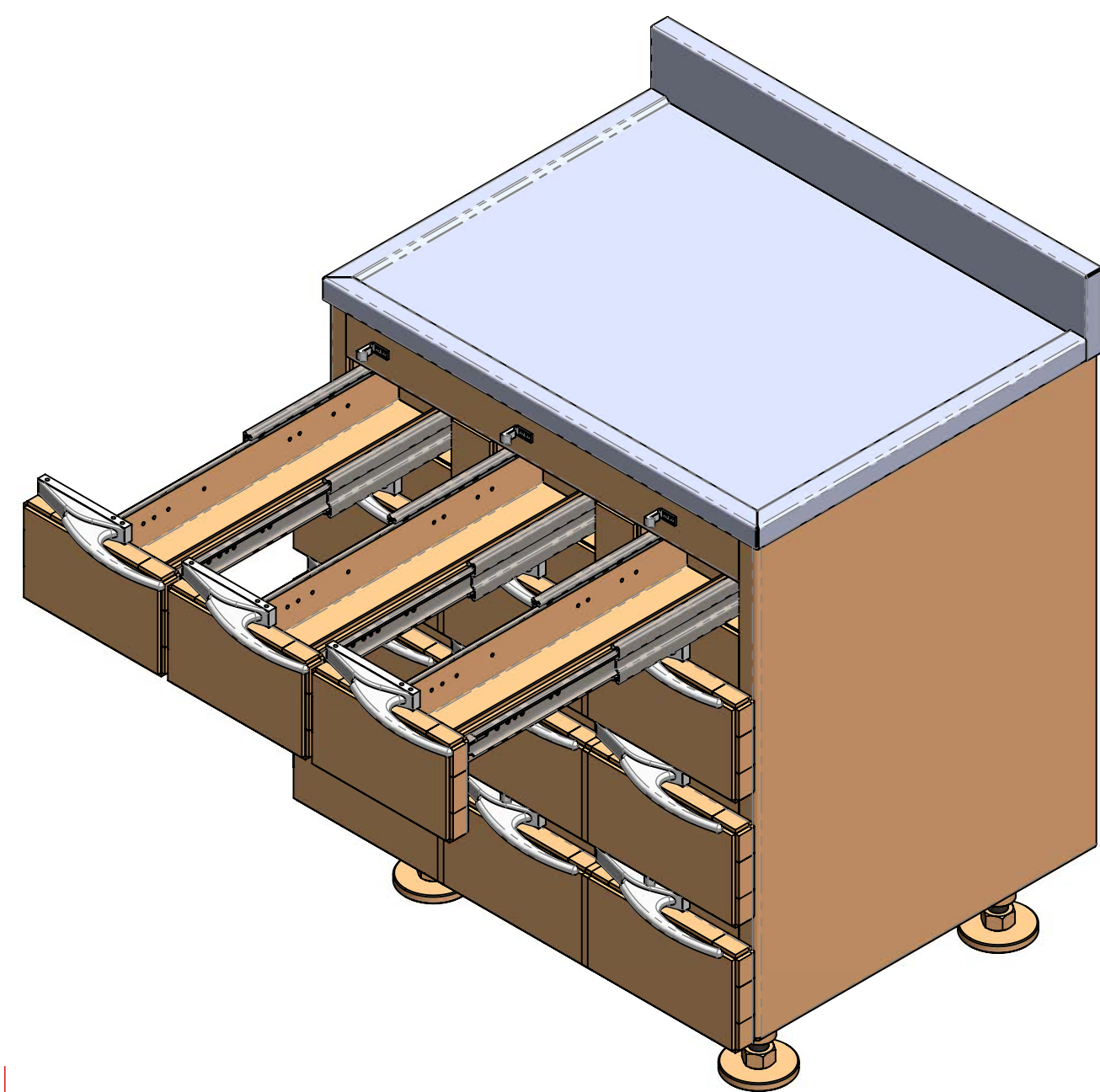
APPROVED AS SHOWN
 APPROVED WITH CHANGES SHOWN

BY: _____ DATE: _____

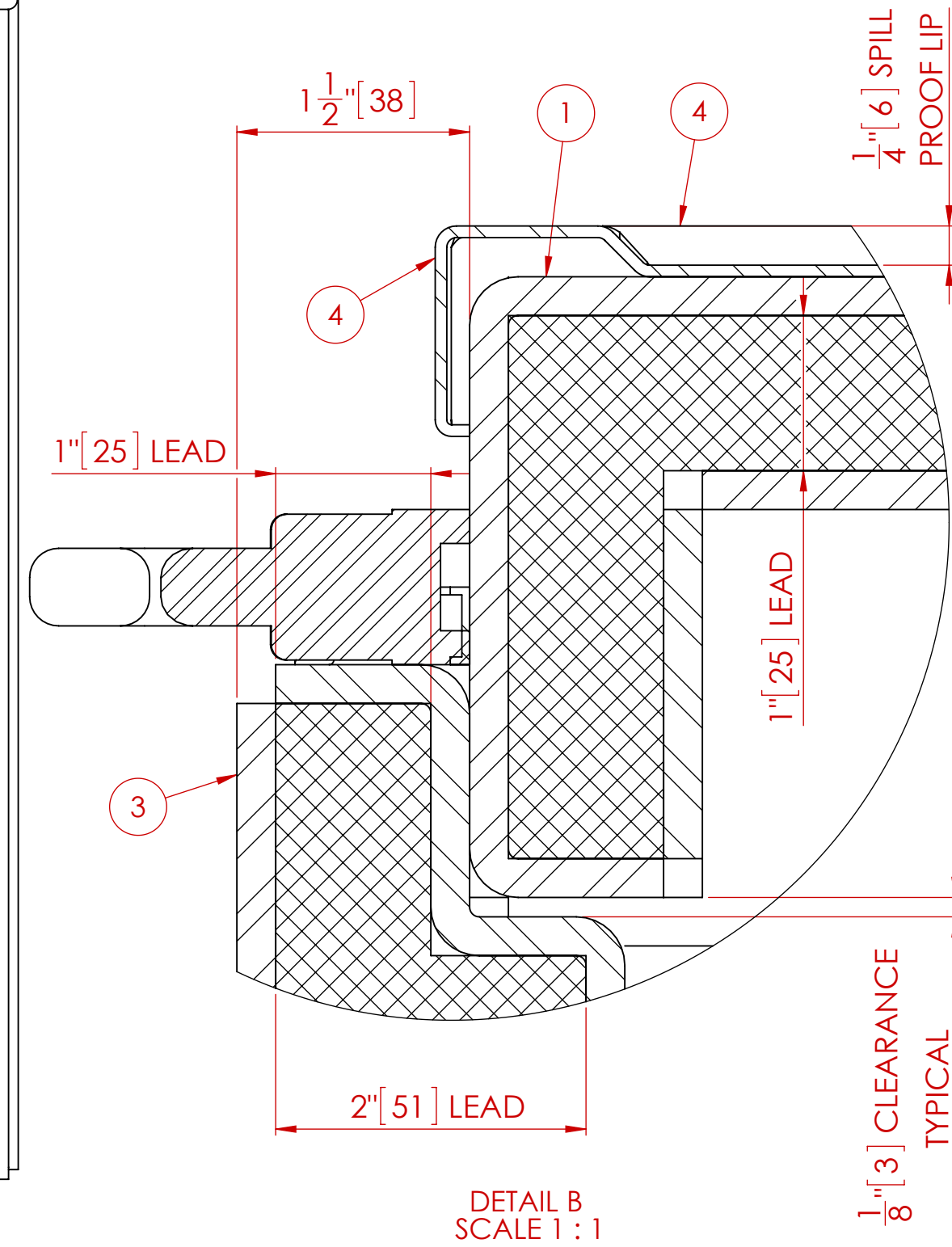
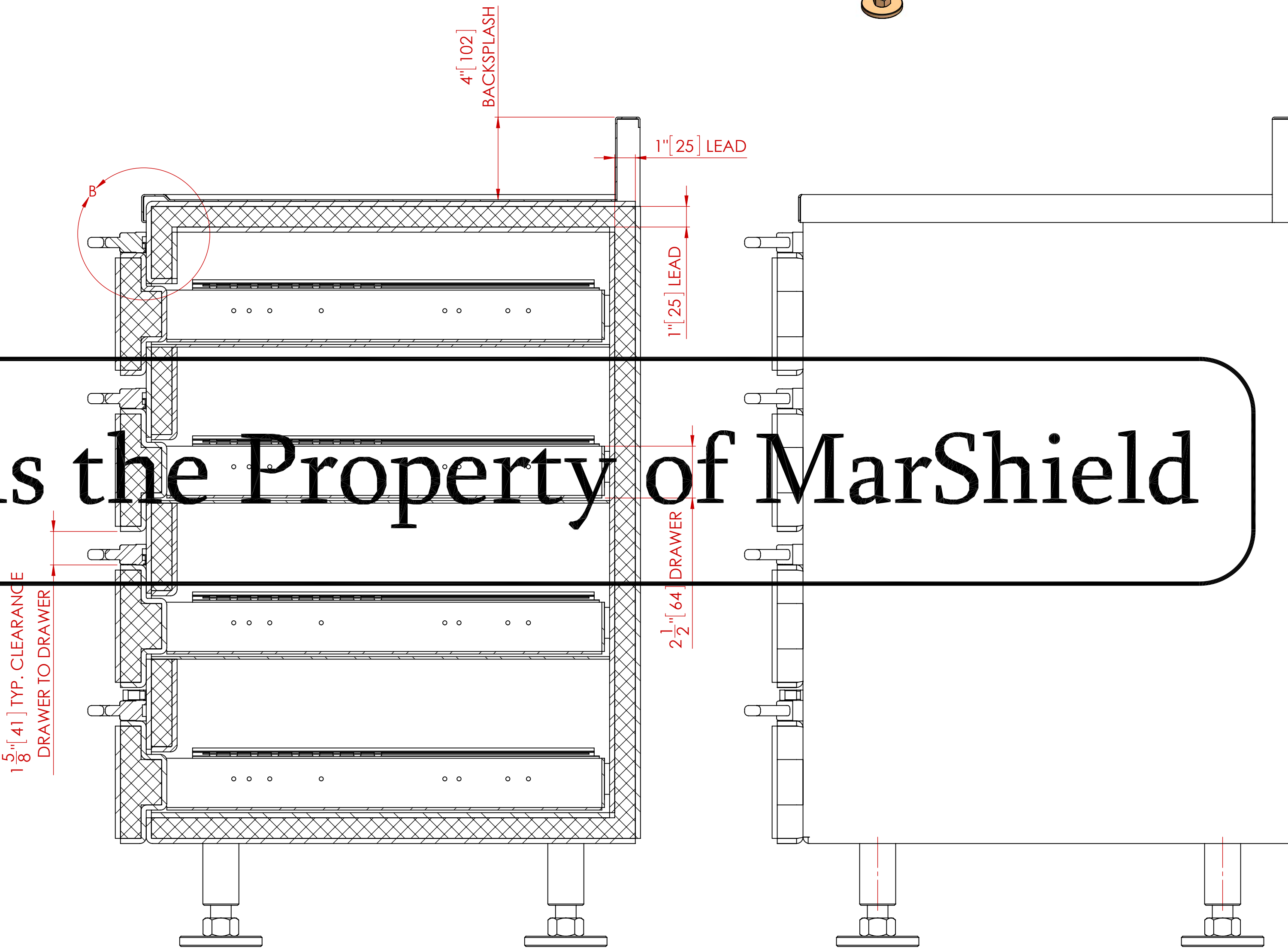
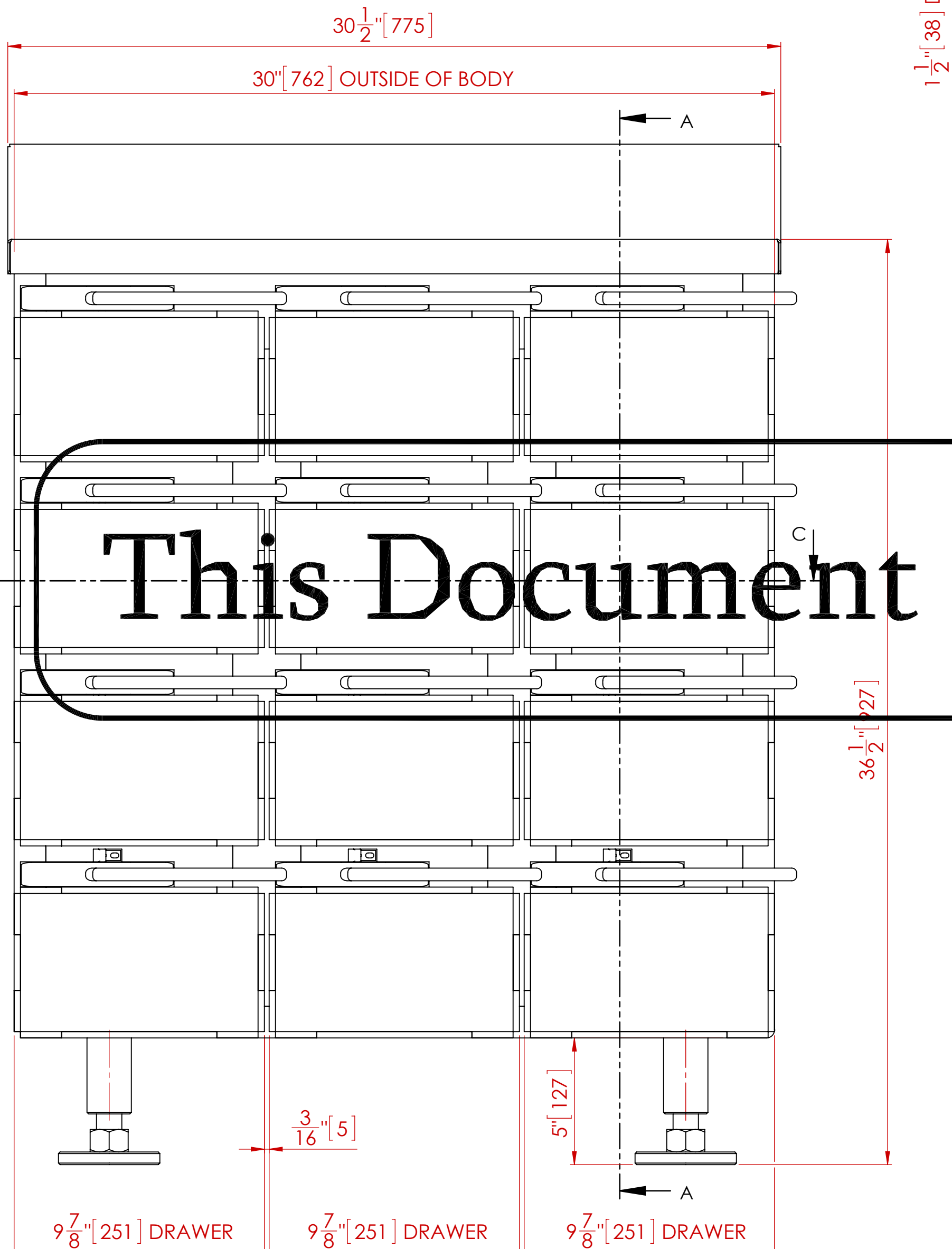
TITLE: _____

COMPANY: _____

COMMENTS: _____



ITEM NO.	QTY	PART NUMBER	DESCRIPTION
1	1	MS-RSC-1.0-01-00	BODY
2	4	MS-DC-0.5-08-00	LEG
3	12	MS-RSC-1.0-03-00	DRAWER
4	1	MS-10-01	OPTIONAL CABINET TOP



This Document is the Property of MarShield

NOTES:
 1. ALL UNITS ARE INCHES [mm] UNLESS OTHERWISE SPECIFIED
 2. ITEM 4 (CABINET TOP) IS OPTIONAL

TOTAL LEAD WEIGHT	TOTAL CABINET WEIGHT (INCLUDING LEAD)
1,980 LBS. (900 kg)	3,325 LBS. (1,511 kg)

REV.	DESCRIPTION	DATE	APPROVED
A	ADDED WEIGHTS TABLE	2/27/2013	M.S.D.

UNLESS OTHERWISE SPECIFIED

DO NOT SCALE DRAWING DIMENSIONS SHOWN PREFERABLY ARE FOR REFERENCE ONLY (X.X) DIMENSIONS ARE IN INCHES [mm] TOLERANCES APPLY AS SHOWN BELOW
 X = ± 0.005
 Y = ± 0.010
 Z = ± 0.005
 ANGLES ± 0.007°

ALL MACHINED SURFACES TO BE $\sqrt{10}$
 ALL WELD SPECIFICATIONS PER WELD SHOP

PROPRIETARY
 NO PART OF THIS DOCUMENT MAY BE REPRODUCED, STORED IN A RETRIEVAL SYSTEM, OR TRANSMITTED IN ANY FORM, WITHOUT THE WRITTEN PERMISSION OF MarShield - MGR Metal Company DIVISION OF Marshfield Metal Industries Ltd.

SolidWorks MAINTAINED DATA CHANGES SHALL BE INCORPORATED ELECTRONICALLY BY THE DESIGN ACTIVITY

MODEL NUMBER: _____

TITLE: RADIOISOTOPE STORAGE CABINET ASSEMBLY

CUSTOMER/DEALER: _____

DRAWN BY: M.S.D. DATE: 2/21/2013

CHECKED BY: _____ DATE: _____

APPROVED: _____ DATE: _____

SCALE: 1:4 HEIGHT: 1

MarShield Custom Radiation Protection, Shielding and Storage

MS-RSC-1.0-30.5-24-36.5

SHEET 1 OF 1