

CUSTOMER APPROVAL ENDORSEMENT

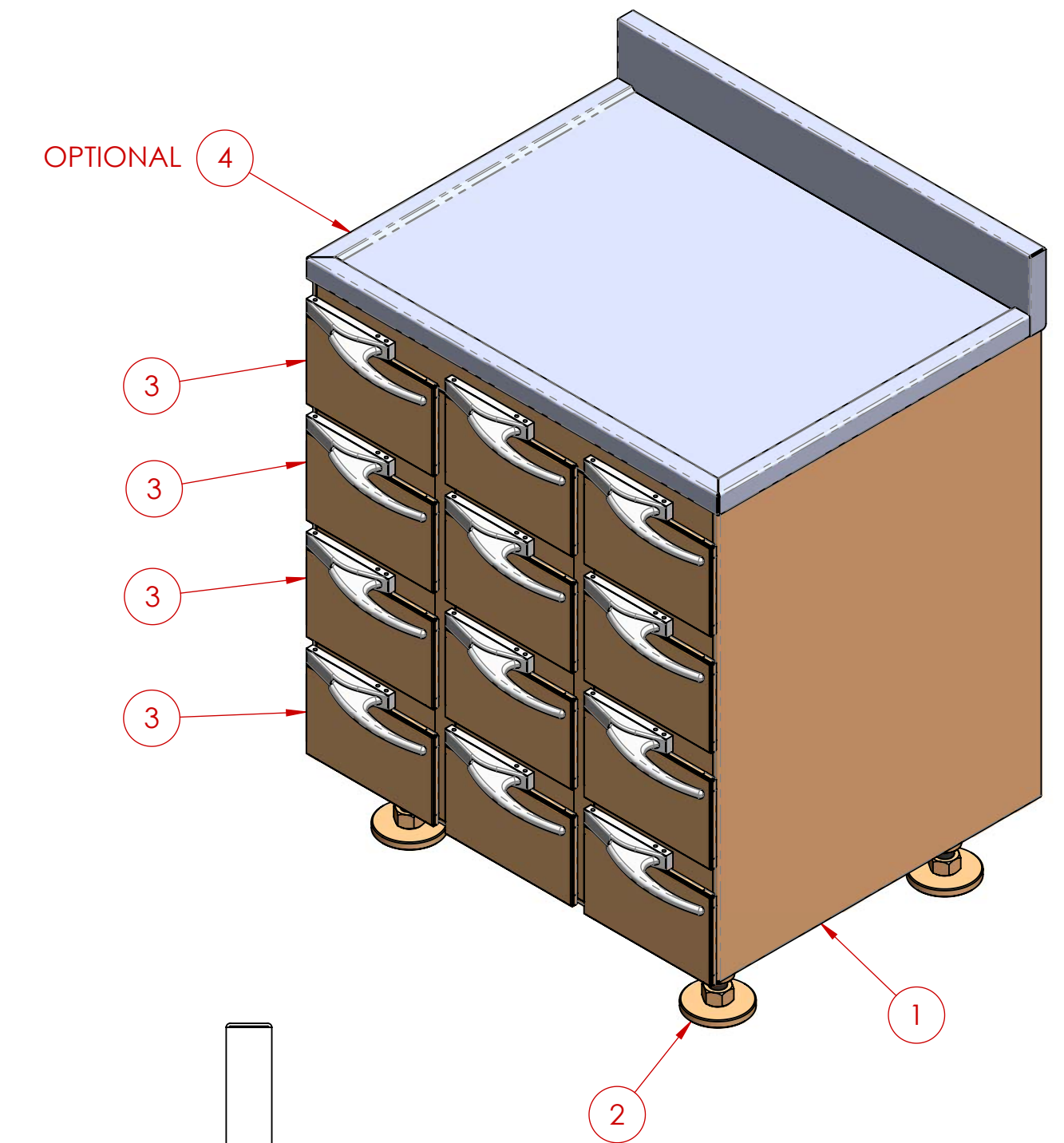
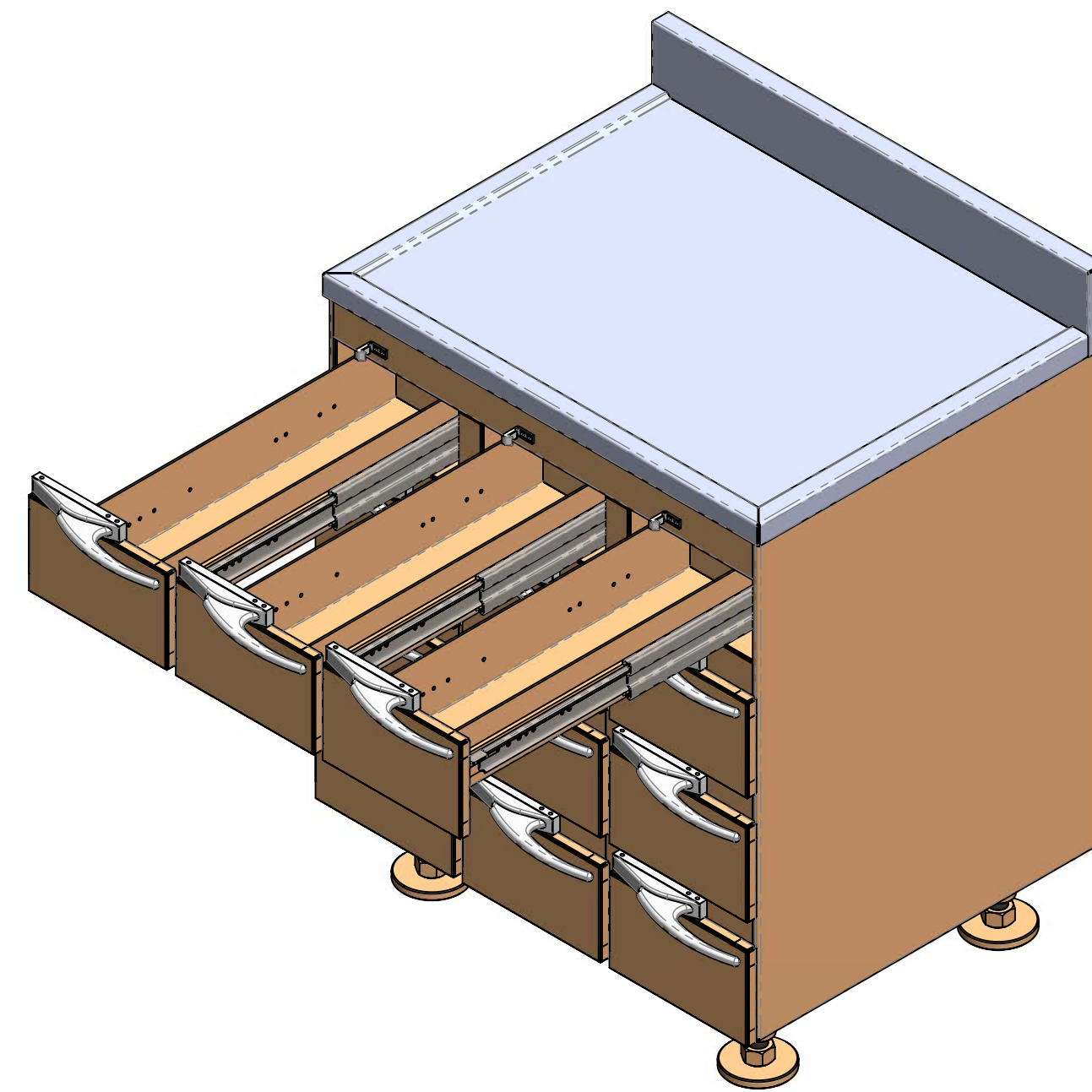
APPROVED AS SHOWN
 APPROVED WITH CHANGES SHOWN

BY: _____ DATE: _____

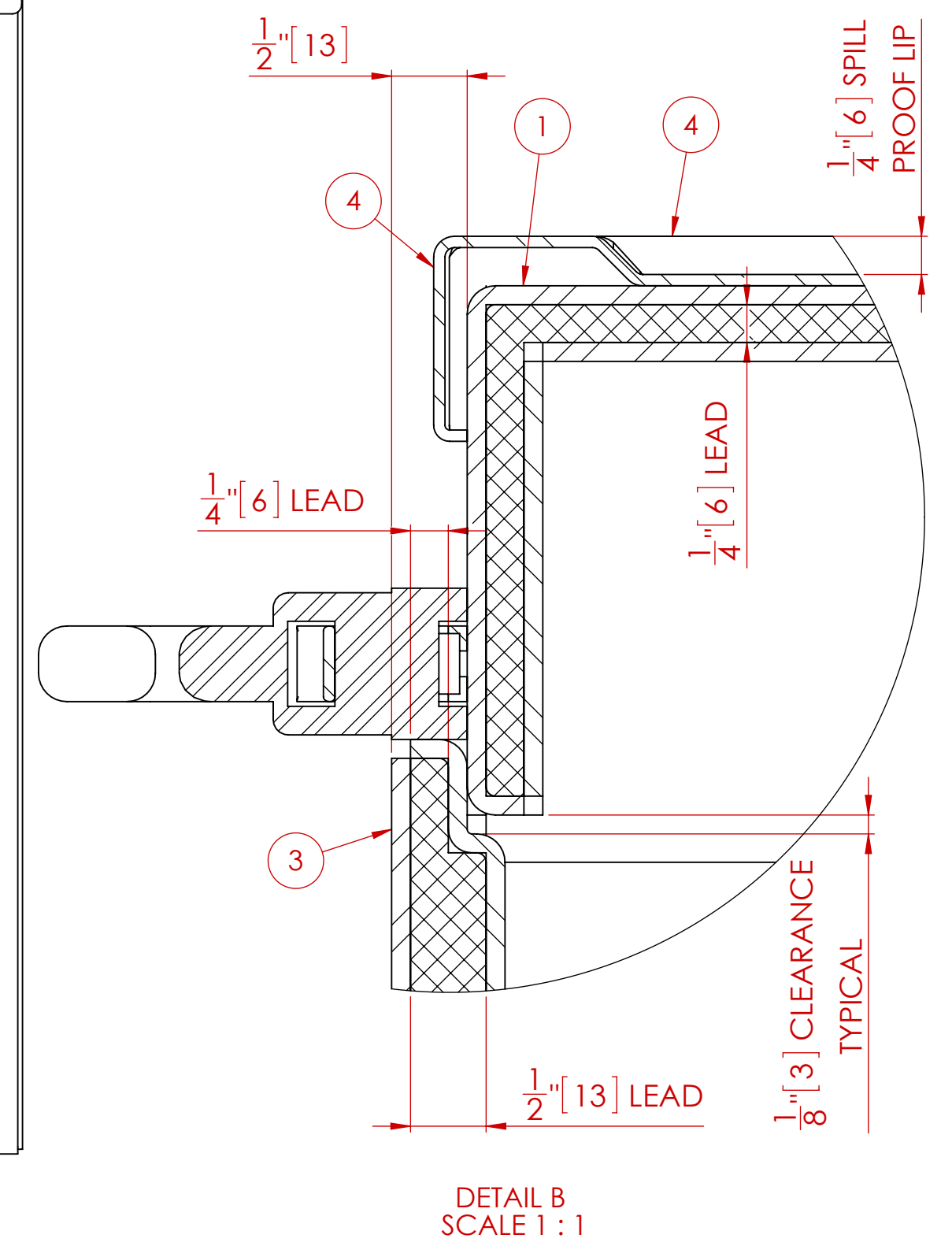
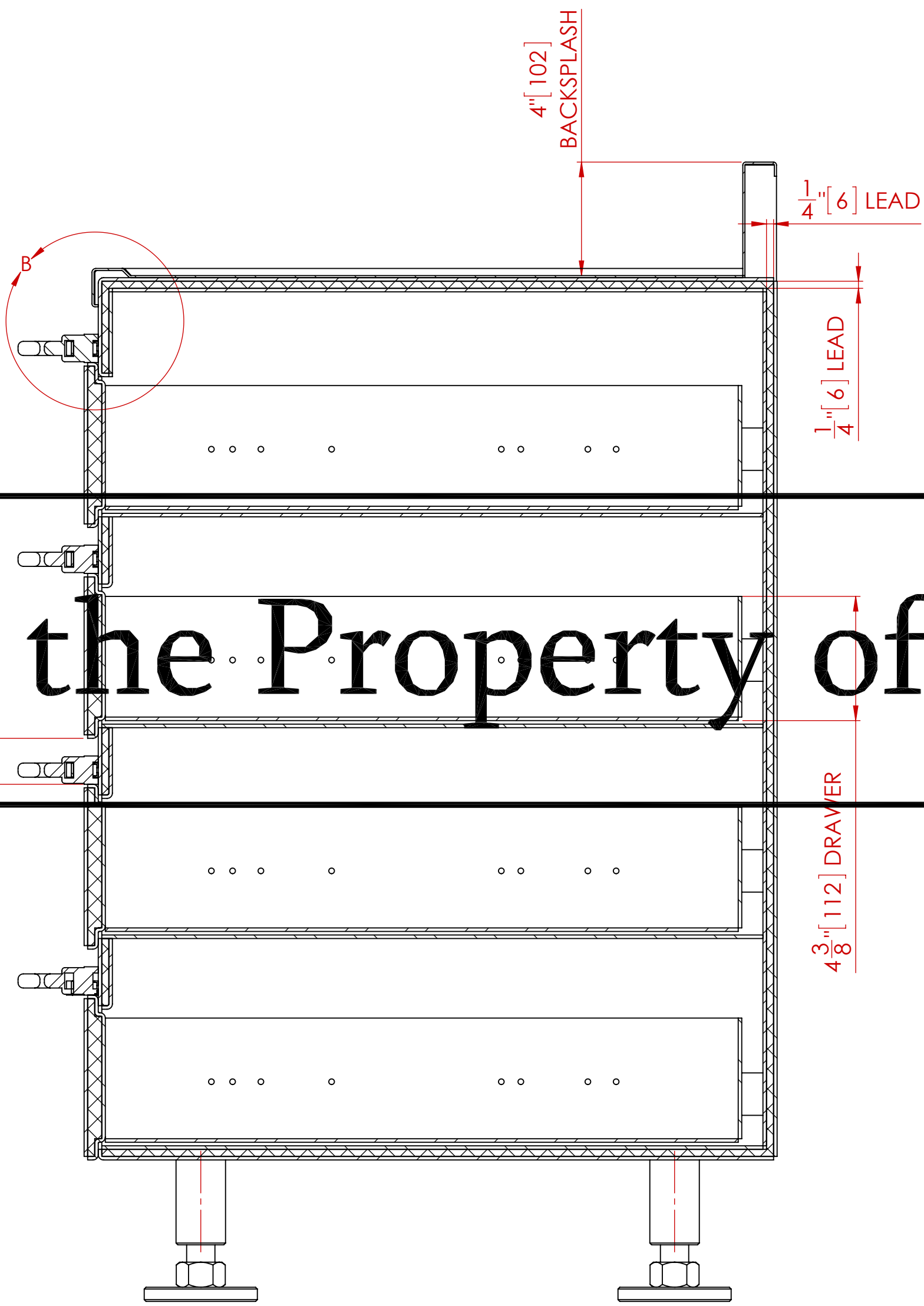
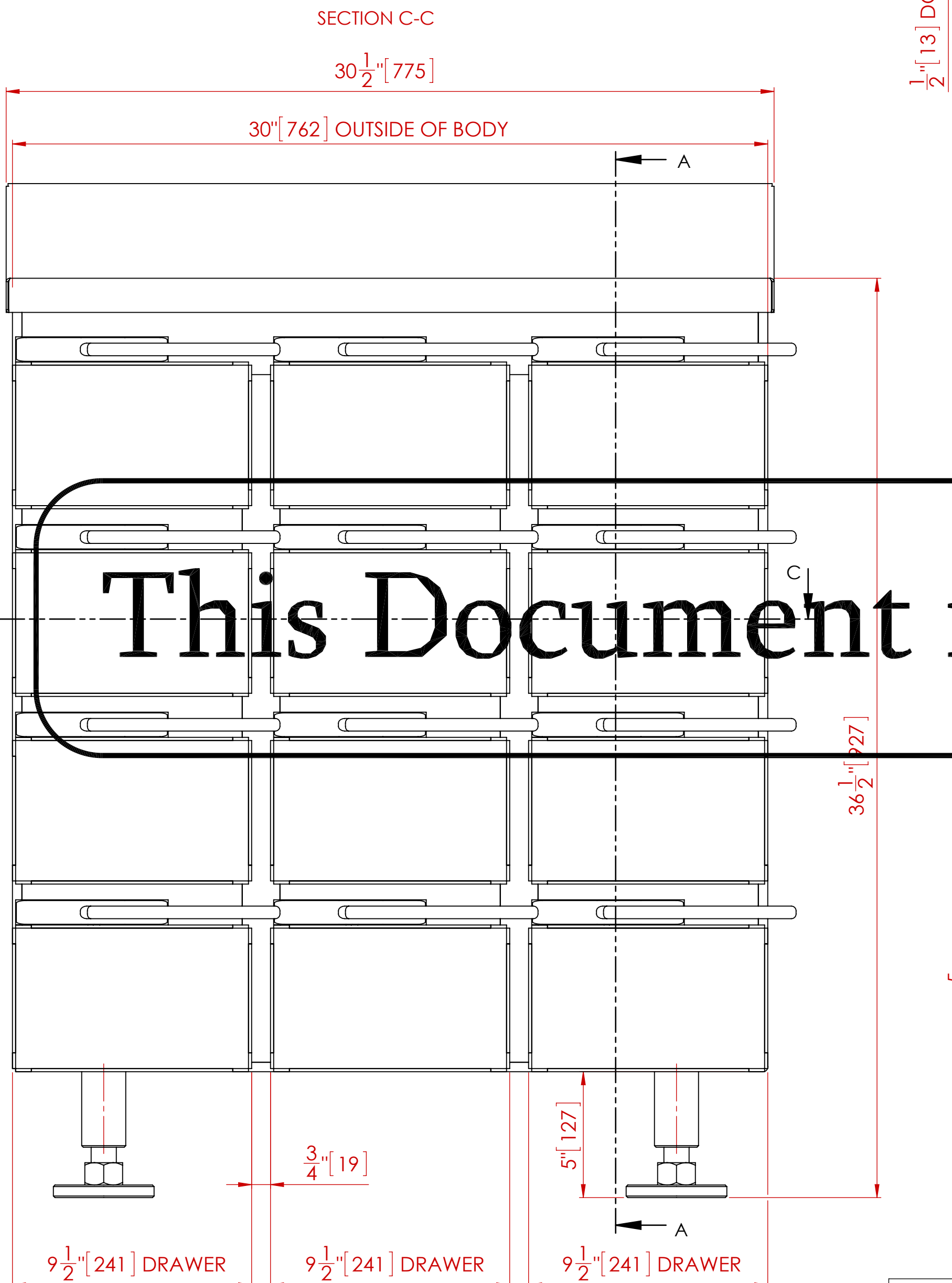
TITLE: _____

COMPANY: _____

COMMENTS: _____



ITEM NO.	QTY	PART NUMBER	DESCRIPTION
1	1	MS-RSC-0.25-01-00	BODY
2	4	MS-DC-0.5-08-00	LEG
3	12	MS-DSC-0.25-03-00	DRAWER
4	1	MS-10-01	OPTIONAL CABINET TOP



This Document is the Property of MarShield

TOTAL LEAD WEIGHT	TOTAL CABINET WEIGHT (INCLUDING LEAD)
530 LBS. (241 kg)	1,645 LBS. (748 kg)

- NOTES:
- ALL UNITS ARE INCHES [mm] UNLESS OTHERWISE SPECIFIED
 - ITEM 4 (CABINET TOP) IS OPTIONAL

UNLESS OTHERWISE SPECIFIED		SolidWorks MAINTAINED DATA CHANGES SHALL BE INCORPORATED ELECTRONICALLY BY THE DESIGN ACTIVITY		MarShield Custom Radiation Protection, Shielding and Storage	
DO NOT SCALE DRAWING DIMENSIONS SHOWN PREFERENCES ARE FOR REFERENCE ONLY (XXX) DIMENSIONS ARE IN INCHES [mm] TOLERANCES APPLY AS SHOWN BELOW X = ± 0.000 Y = ± 0.000 Z = ± 0.000 ANGLES ± 0.001°		ALL MACHINED SURFACES TO BE $\sqrt{10}$ ALL WELD SPECIFICATIONS PER WELD SHOP		TITLE: RADIOISOTOPE STORAGE CABINET ASSEMBLY	
DRAWN BY: M.S.D. DATE: 2/13/2013		CHECKED BY: DATE: APPROVED: DATE: SCALE: 1:4 WEIGHT: SHEET 1 OF 1		CUSTOMER/DEALER: MS-RSC-0.25-30.5-24-36.5	
REVISIONS		PROPRIETARY NO PART OF THIS DOCUMENT MAY BE REPRODUCED, STORED IN A RETRIEVAL SYSTEM, OR TRANSMITTED IN ANY FORM, WITHOUT THE WRITTEN PERMISSION OF MarShield - MGR Metal Company DIVISION OF Maxwell Metal Industries Ltd.		DRAWING NO: MS-RSC-0.25-30.5-24-36.5	