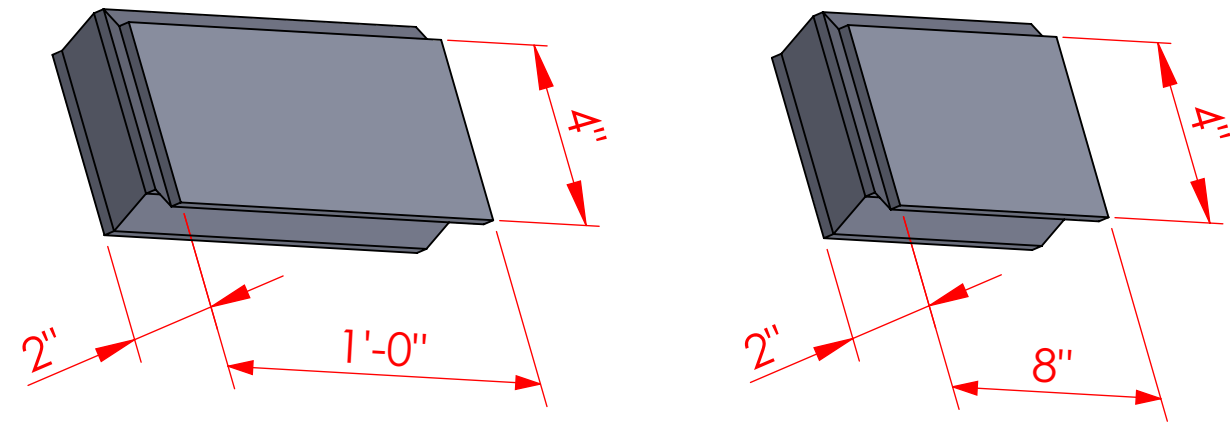


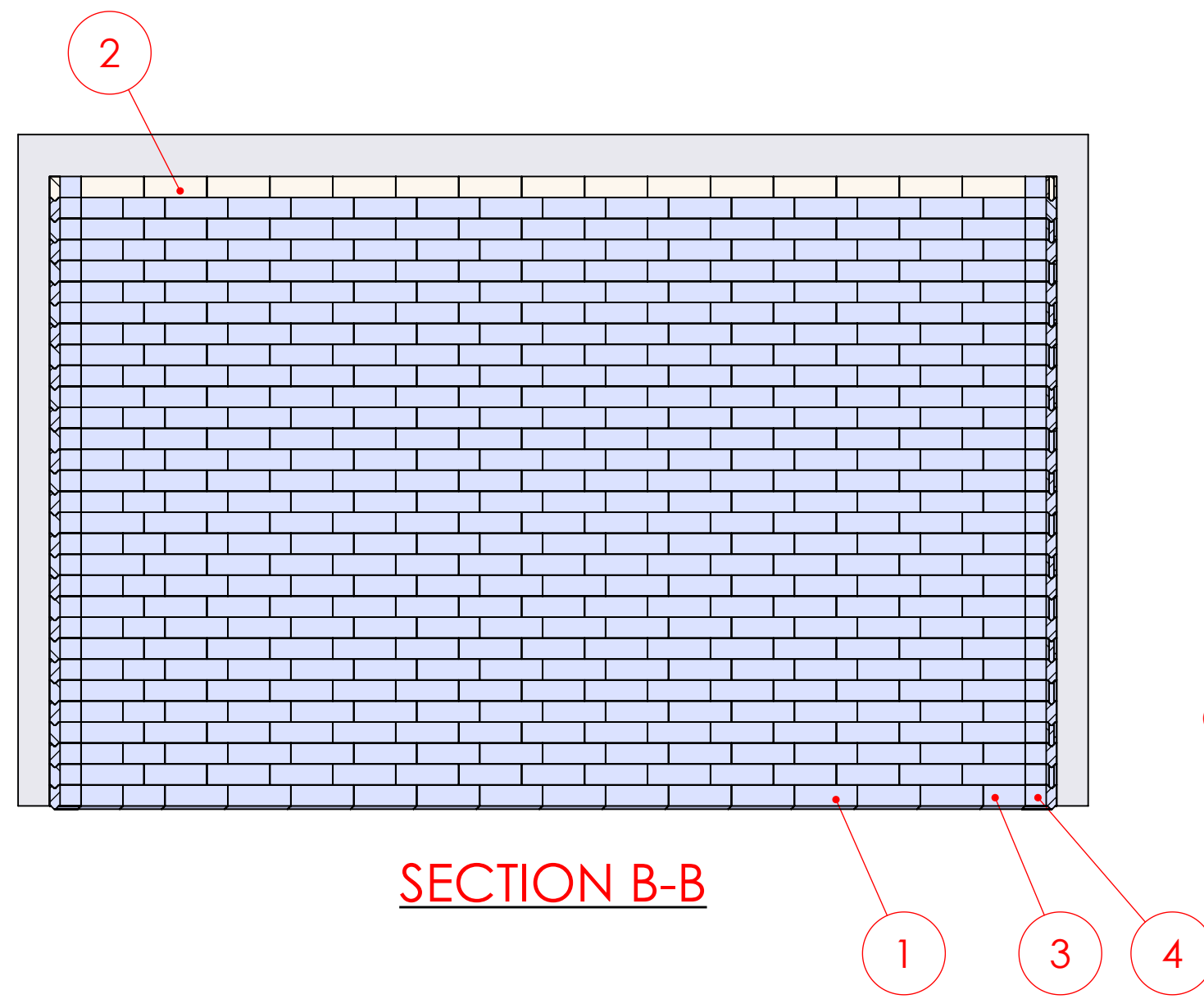
**MASTER BILL OF MATERIAL**

ITEM NO.	QTY.	DESCRIPTION
1	1350	2" X 4" X 12"
2	50	2" X 4" X 12" FLAT BOTTOM
3	170	2" X 4" X 8"
4	120	CORNER 2" X 4" X 6" X 6"



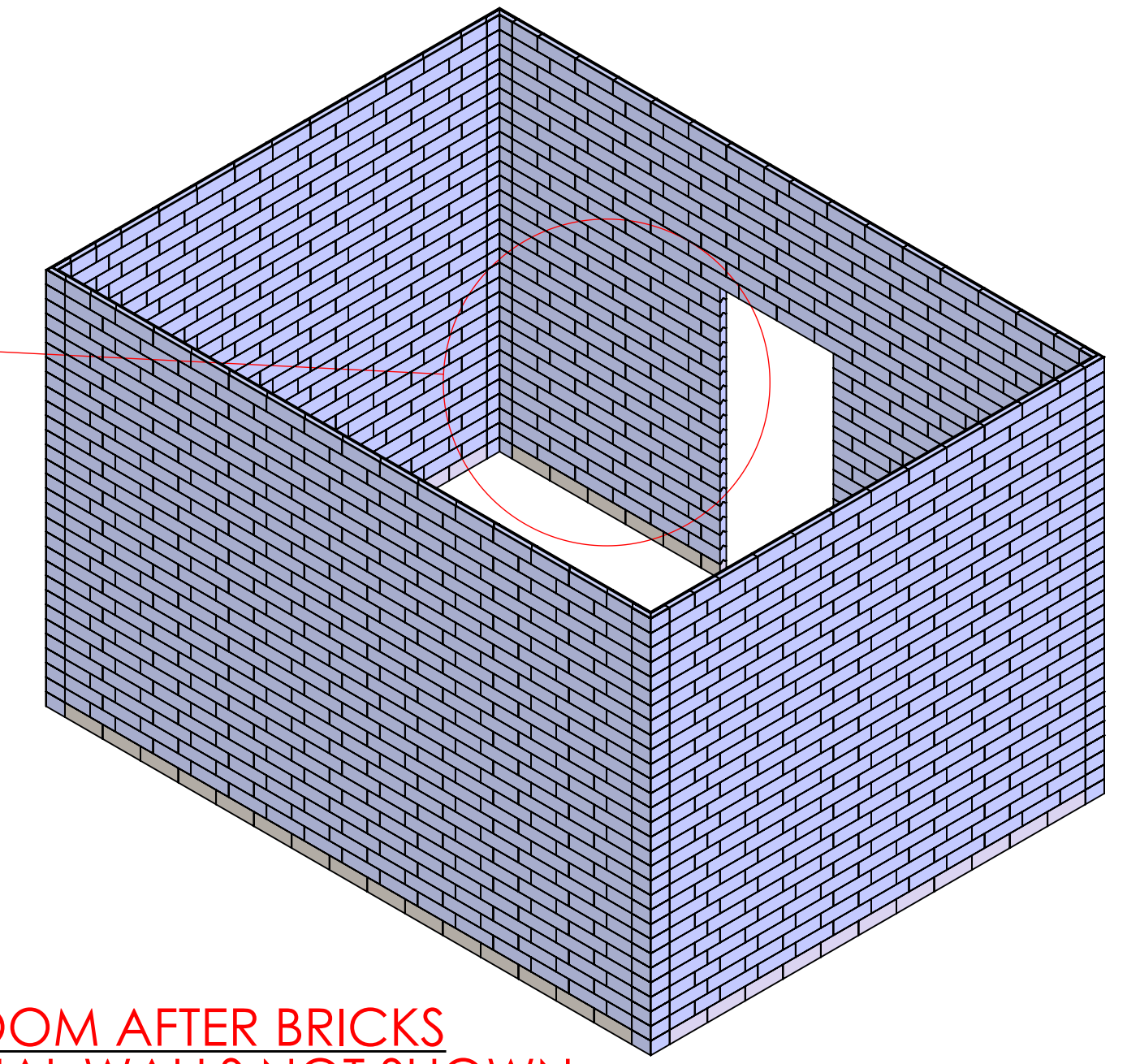
ITEM 1  
2" X 4" X 12" LEAD BRICK

ITEM 3  
2" X 4" X 8" LEAD BRICK

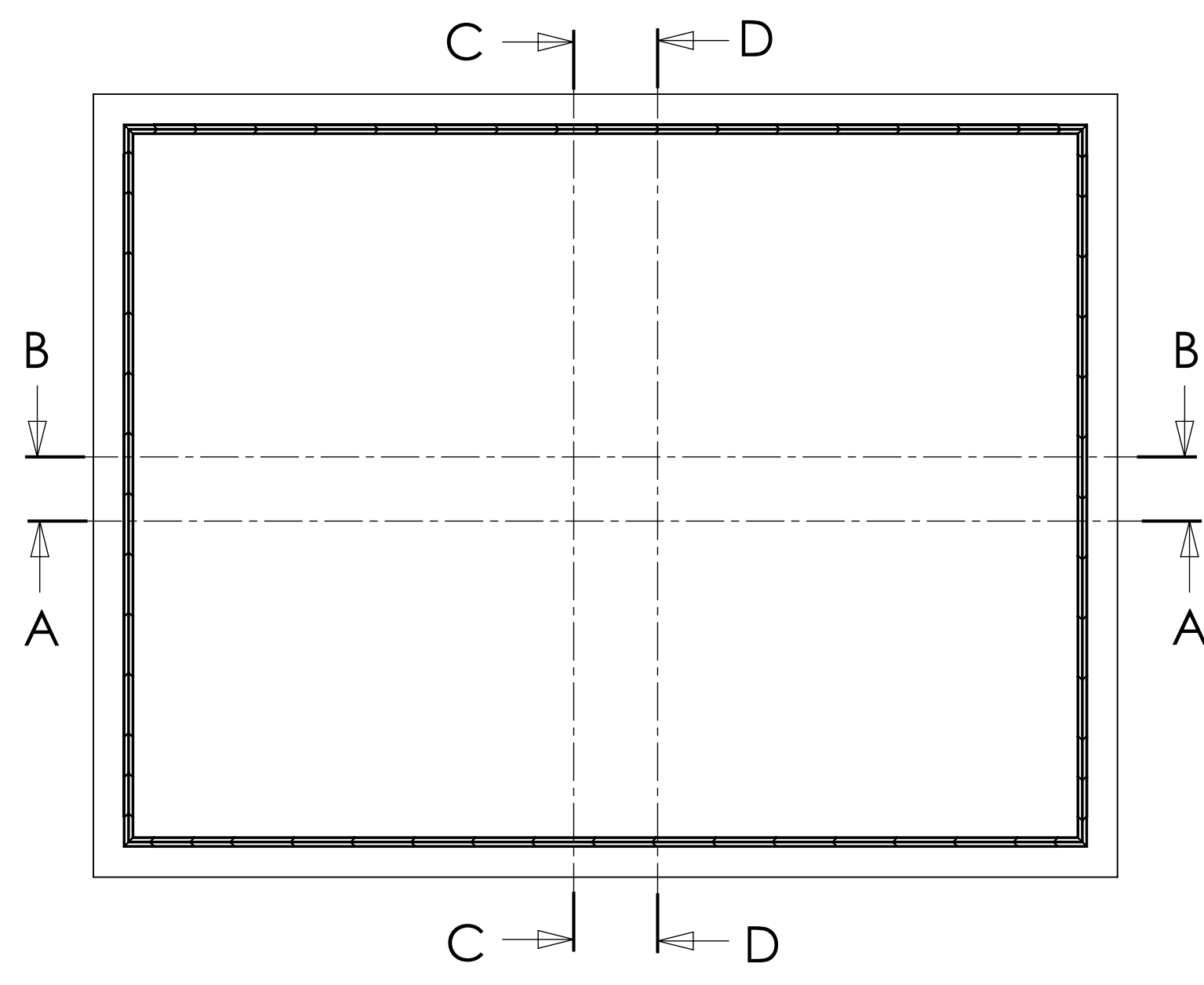
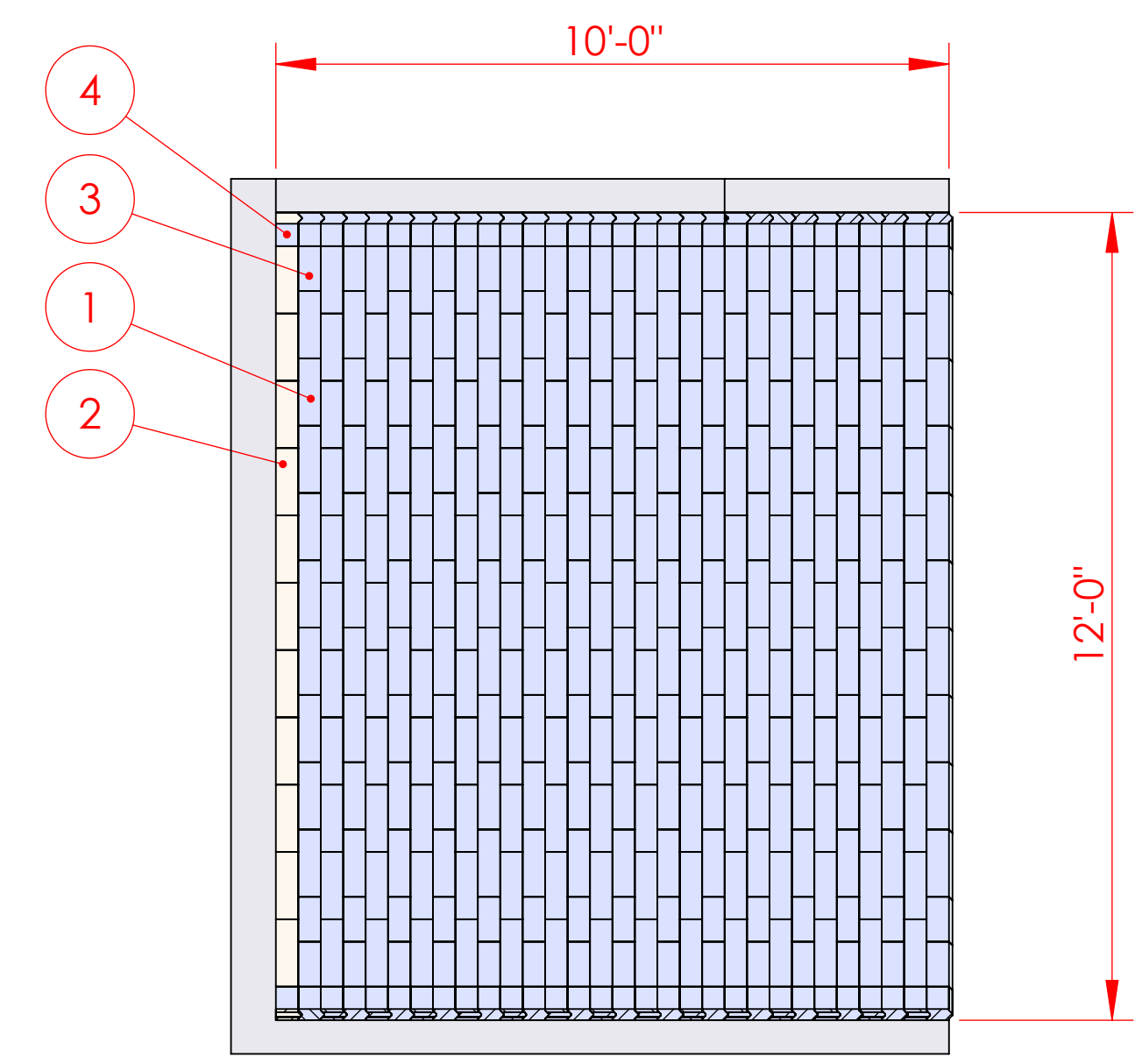


INTERLOCKING  
CORNER BRICKS  
AVAILABLE

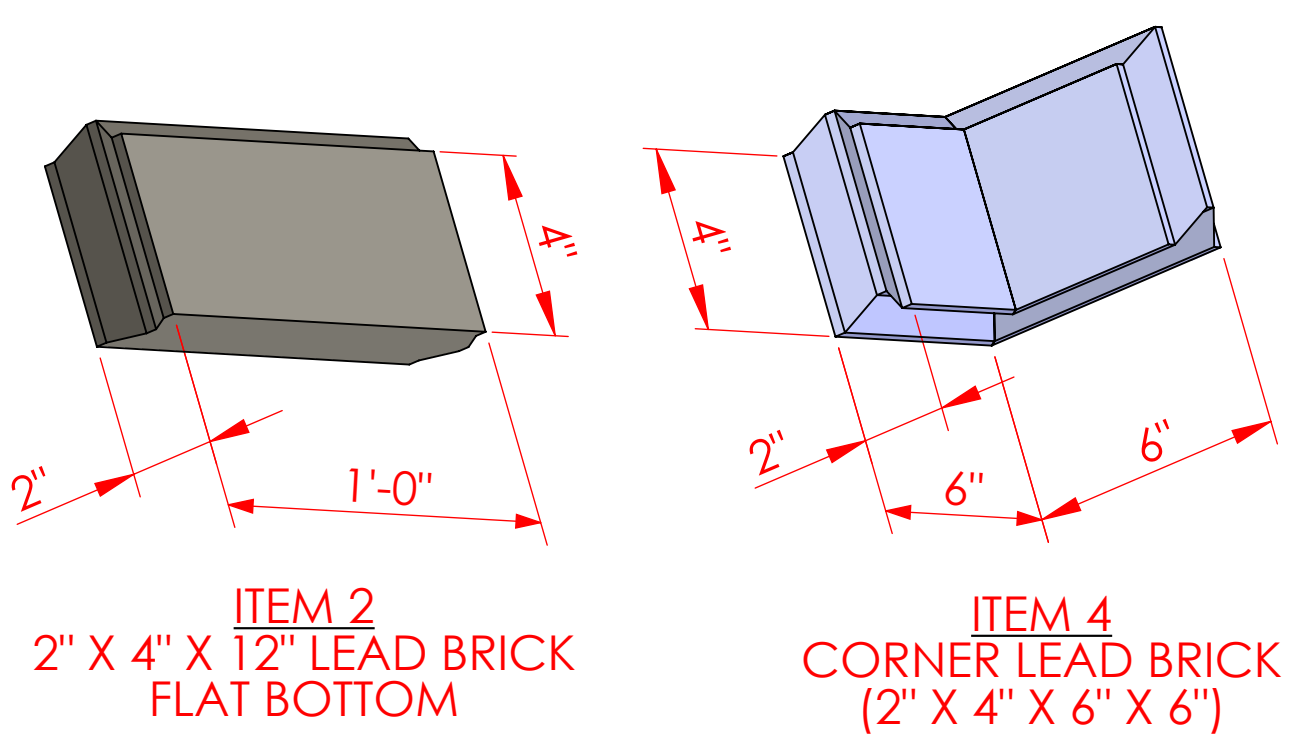
FLAT BOTOM BRICKS  
(NO CHEVRON) FOR  
FIRST COURSE, AVAILABLE



**ROOM AFTER BRICKS**  
(ORIGINAL WALLS NOT SHOWN  
FOR CLARITY)

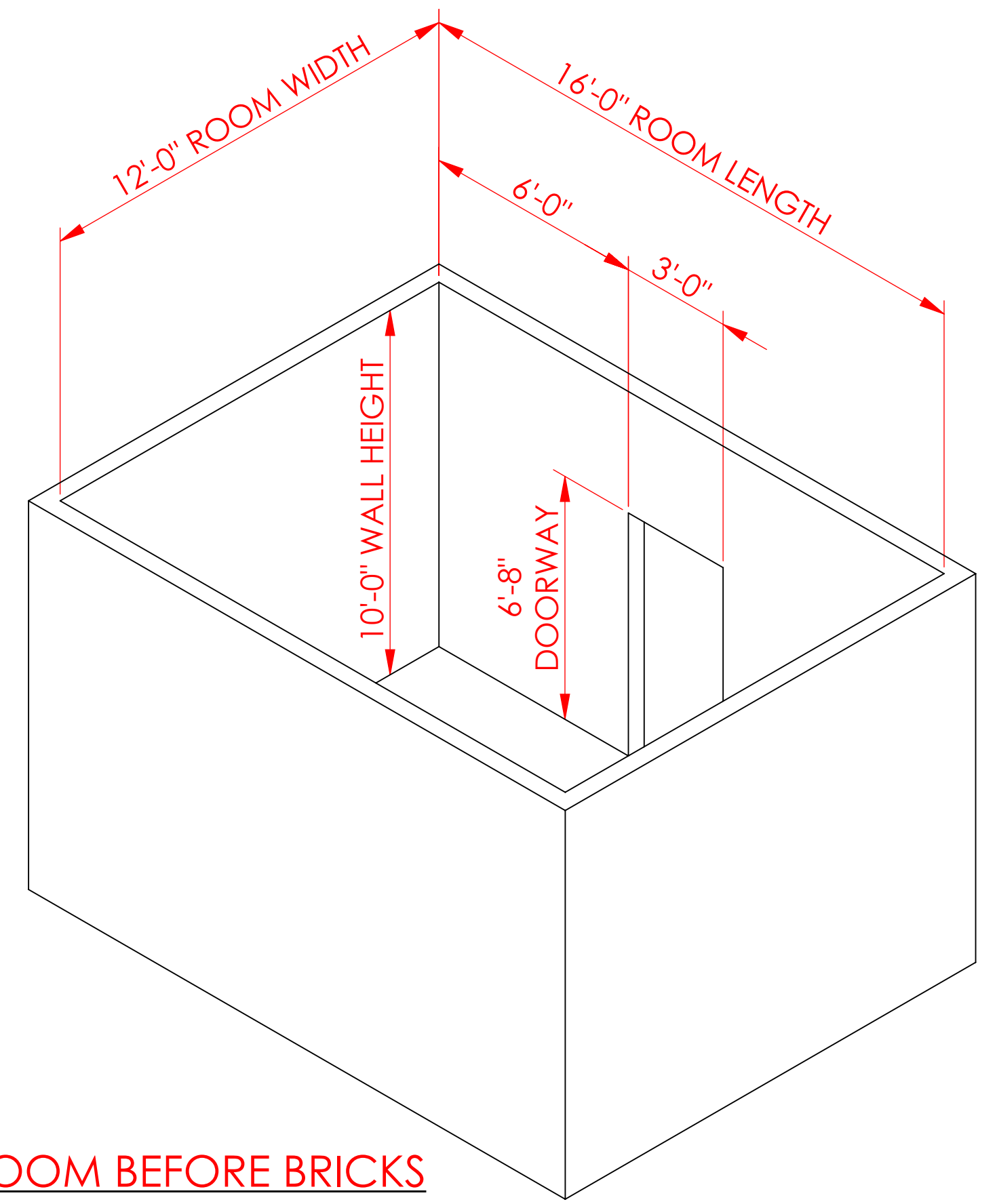
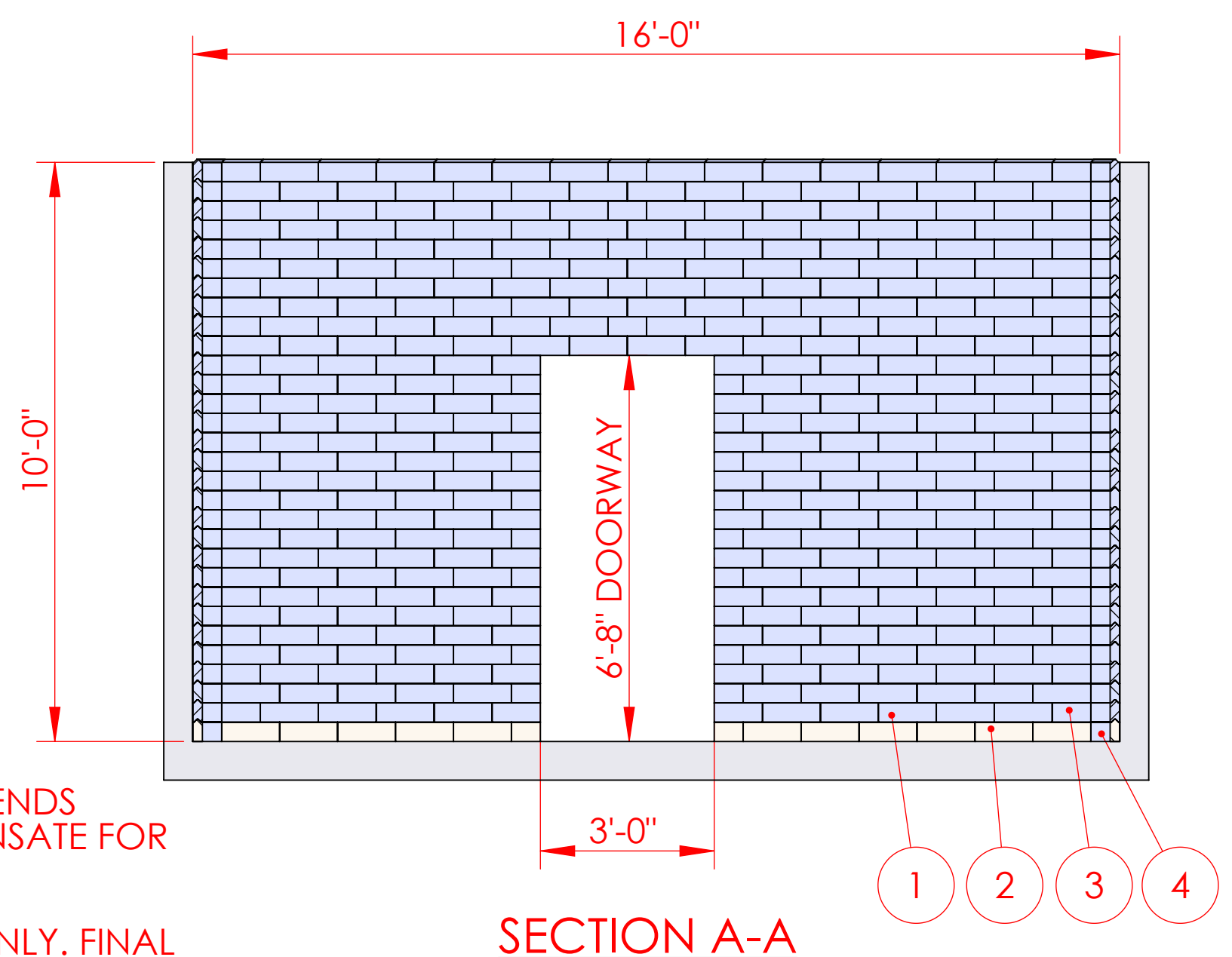


4 CORNER BRICK  
QUANTITY 30 PER ROOM CORNER



ITEM 2  
2" X 4" X 12" LEAD BRICK  
FLAT BOTTOM

ITEM 4  
CORNER LEAD BRICK  
(2" X 4" X 6" X 6")



**ROOM BEFORE BRICKS**

**NOTES:**

- 1) DIMENSIONS SHOWN IN INCHES & FEET-INCHES
- 2) ROOM SIZE SHOWN IS APPROXIMATE. MarShield RECOMMENDS EXTRA LEAD BRICKS BE INCLUDED WITH ORDER TO COMPENSATE FOR ROOM SIZE CONSTRUCTION TOLERANCES & RUNOUTS
- 3) THIS DRAWING IS TO BE USED AS A "CONSTRUCTION AID" ONLY. FINAL LEAD BRICK QUANTITY, FIT & CUSTOM CUTS SHOWN MAY VARY.

ITEM NO.	Section A-A Bricks Only/QTY.	DESCRIPTION
1	367	2" X 4" X 12"
2	13	2" X 4" X 12" FLAT BOTTOM
3	35	2" X 4" X 8"
ITEM NO.	Section B-B Bricks Only/QTY.	DESCRIPTION
1	405	2" X 4" X 12"
2	15	2" X 4" X 12" FLAT BOTTOM
3	45	2" X 4" X 8"
ITEM NO.	Section C-C Bricks Only/QTY.	DESCRIPTION
1	289	2" X 4" X 12"
2	11	2" X 4" X 12" FLAT BOTTOM
3	45	2" X 4" X 8"
ITEM NO.	Section D-D Bricks Only/QTY.	DESCRIPTION
1	289	2" X 4" X 12"
2	11	2" X 4" X 12" FLAT BOTTOM
3	45	2" X 4" X 8"

UNLESS OTHERWISE SPECIFIED

DO NOT SCALE DRAWING DIMENSIONS SHOWN IN PARENTHESES ARE FOR REFERENCE ONLY (X.X) DIMENSIONS ARE IN INCHES (mm) TOLERANCES APPLY AS SHOWN BELOW  
 X = ± 0.005  
 XX = ± 0.010  
 XXX = ± 0.020  
 ANGLES = ± 0.01°

ALL MACHINED SURFACES TO BE  FINISHED  
 ALL WELD SPECIFICATIONS PER WELD SHOP

SolidWorks MAINTAINED DATA CHANGES SHALL BE INCORPORATED ELECTRONICALLY BY THE DESIGN ACTIVITY  
 MODEL NUMBER: \_\_\_\_\_

CUSTOMER/DEALER: \_\_\_\_\_

PROPRIETARY NO PART OF THIS DOCUMENT MAY BE REPRODUCED, STORED IN A RETRIEVAL SYSTEM, OR TRANSMITTED IN ANY FORM, WITHOUT THE WRITTEN PERMISSION OF MarShield - MGR Metal Company DIVISION OF MarShield Metal Industries Ltd.

DRAWN BY: M.S.D. DATE: 3/20/2017  
 CHECKED BY: \_\_\_\_\_ DATE: \_\_\_\_\_  
 APPROVED BY: \_\_\_\_\_ DATE: \_\_\_\_\_

**MarShield** Custom Radiation Protection, Shielding and Storage

**Sample Brick Room**

SCALE: 1:30 SHEET 1 OF 1